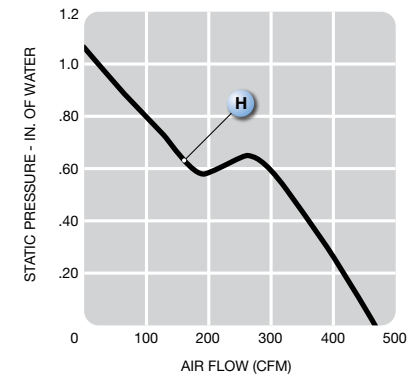
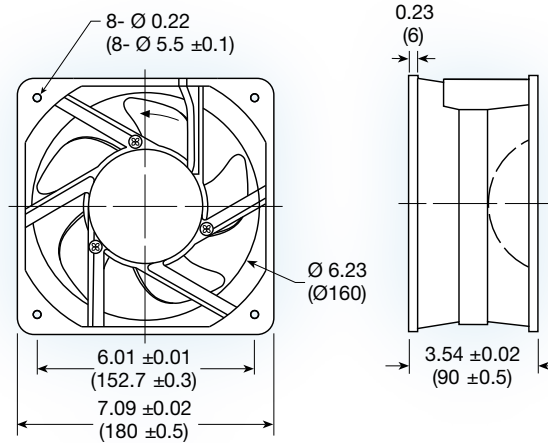


UF18JC-4 series



(180 x 180 x 90 mm)
7.09 x 7.09 x 3.54 inches

- Operating voltage: 115 or 230 VAC
- Construction: aluminum die cast frame;
UL94V-0 PBT impeller
- Bearing option: ball bearing
- Motor: permanent split capacitor
- Air Flow: exhaust over struts
- Connection: terminal or 22 AWG lead wires
- Protection: thermal
- Options: dual voltage 115/130VAC,
tachometer output

Model No.	Rated Voltage V	Freq. HZ	Input Power W	Rated Cur. A	Locked Cur. A	Speed RPM	Air Volume		Max. Static Pressure (H ₂ O)		Sound Noise dbA	Weight kg
							M ³ /Min.	CFM	MM	INCH		
UF18JC12-__H	115	60	72	0.63	2.01	3,400	13	460	27	1.06	59	2.20
UF18JC23-__H	230	60	72	0.31	1.01	3,400	13	460	27	1.06	59	2.20

