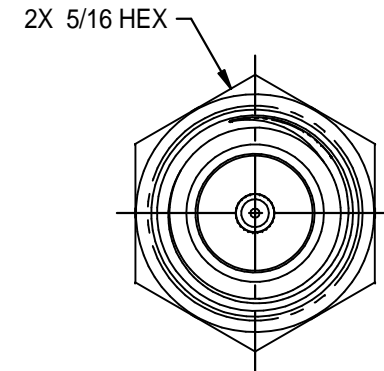
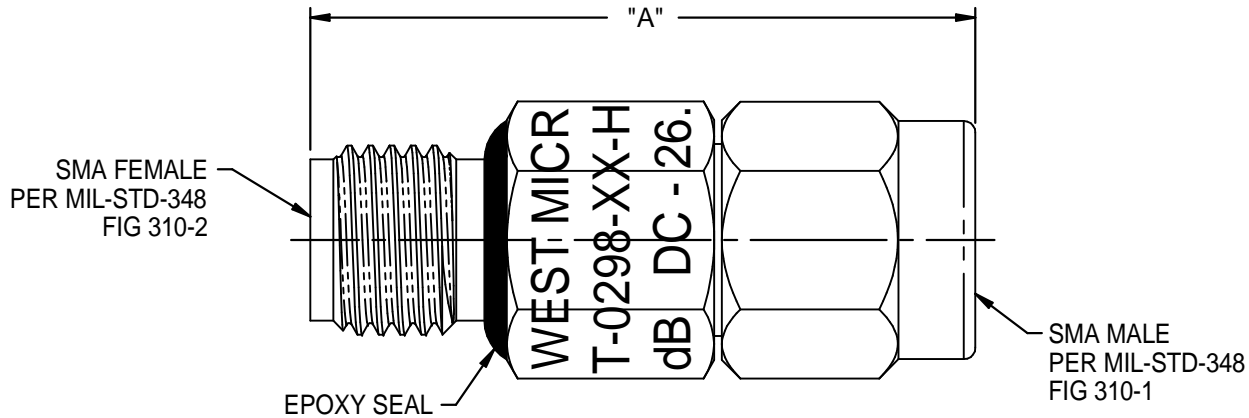
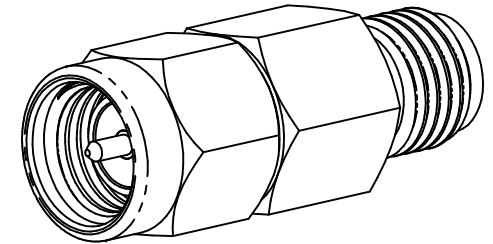


ATTENUATION VALUE	"A"
0 - 12.5 dB	.86
13 - 30 dB	1.02



NOTES: UNLESS OTHERWISE SPECIFIED.

1. MATERIAL & FINISH:

- 1.1 BODY (MALE & FEMALE) & COUPLING NUT: PASSIVATED STAINLESS STEEL
- 1.2 DIELECTRIC: PTFE (TEFLON)
- 1.3 CENTER CONTACT (MALE & FEMALE): GOLD PLATED BERYLLIUM COPPER
- 1.4 GASKET: SILICONE RUBBER

2. SPECIFICATIONS:

- 2.1 FREQUENCY RANGE: DC - 26.5 GHz
- 2.2 ATTENUATION ACCURACY:
 - 2.2.1 0 dB: +0.5/-0 dB
 - 2.2.2 0.5 - 6 dB: ±0.5 dB
 - 2.2.3 6.5 - 20 dB: ±0.7 dB
 - 2.2.4 20.5 - 30 dB: ±1.0 dB
- 2.3 VSWR (MAX): 1.07 +.015f (GHz)
- 2.4 MAXIMUM INPUT POWER:
 - 2.4.1 AVERAGE: 2 WATTS AT +25°C, DERATED LINEARLY TO 0.5 WATTS AT +125°C.
 - 2.4.2 PEAK: 200 WATTS FOR A DUTY CYCLE OF 5 X 10⁻⁴, MAX PULSE DURATION OF 5 MICROSECONDS.
- 2.5 OPERATING TEMP. RANGE: -65°C TO +125°C

		MIDWEST MICROWAVE	
	RoHS2 <input checked="" type="checkbox"/> 2011/65/EU	Title: ATTENUATOR 0 - 30 dB	
<small>This PROPRIETARY Document is property of Cinch Connectivity Solutions. It is confidential in nature, non-transferable, and issued with the clear understanding that it is not to be traded or copied without permission and is returnable upon demand.</small>	UNLESS OTHERWISE SPECIFIED UNITS: INCH .XX ±.02 .XXX ±.005 ANGLES ±2°	Model No. ATT-0298-XX-HEX-02-01	
	INTERPRET DRAWING IN ACCORDANCE WITH ASME Y14.5-2009.	Size A DO NOT SCALE DRAWING	Date: 10/14/2014