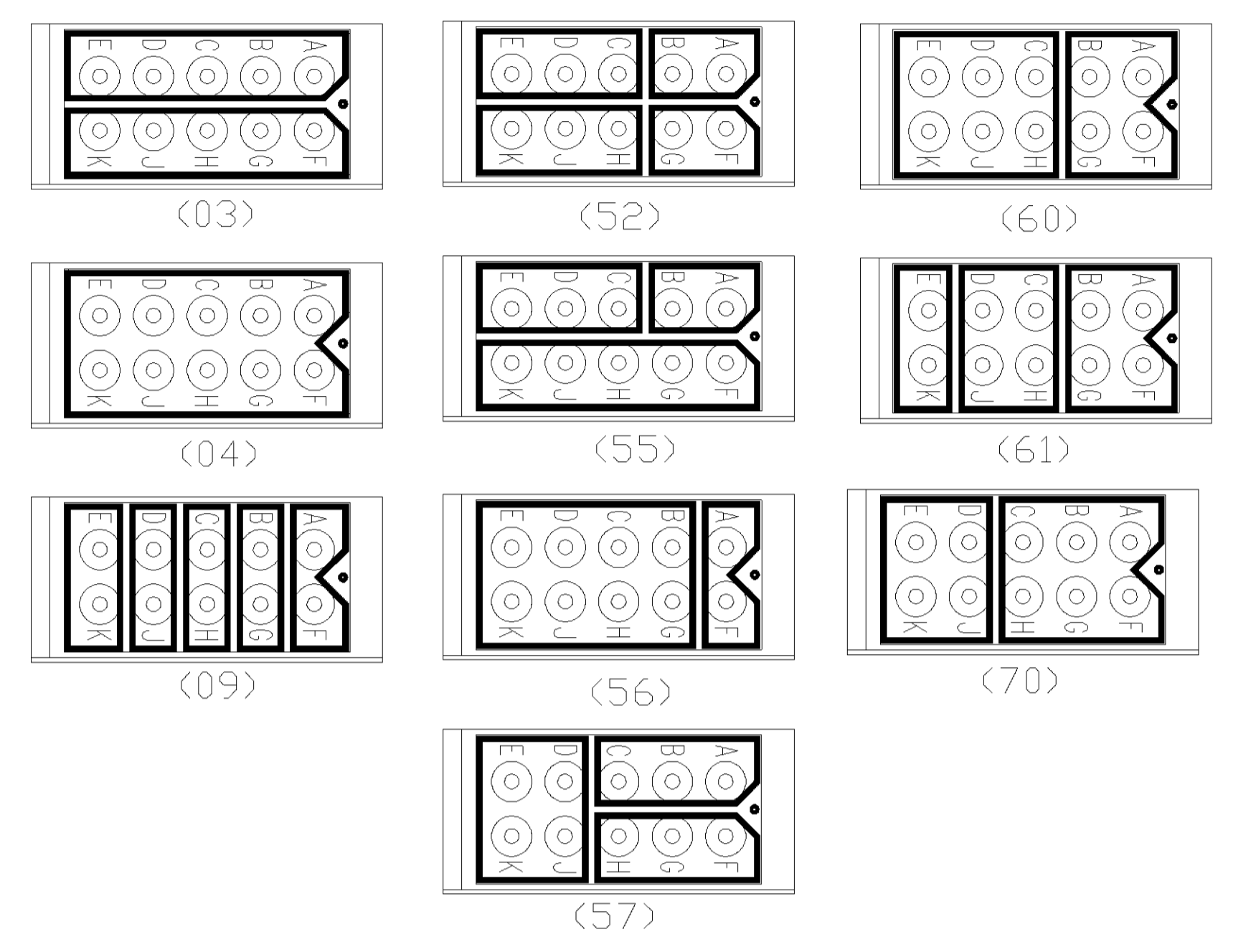
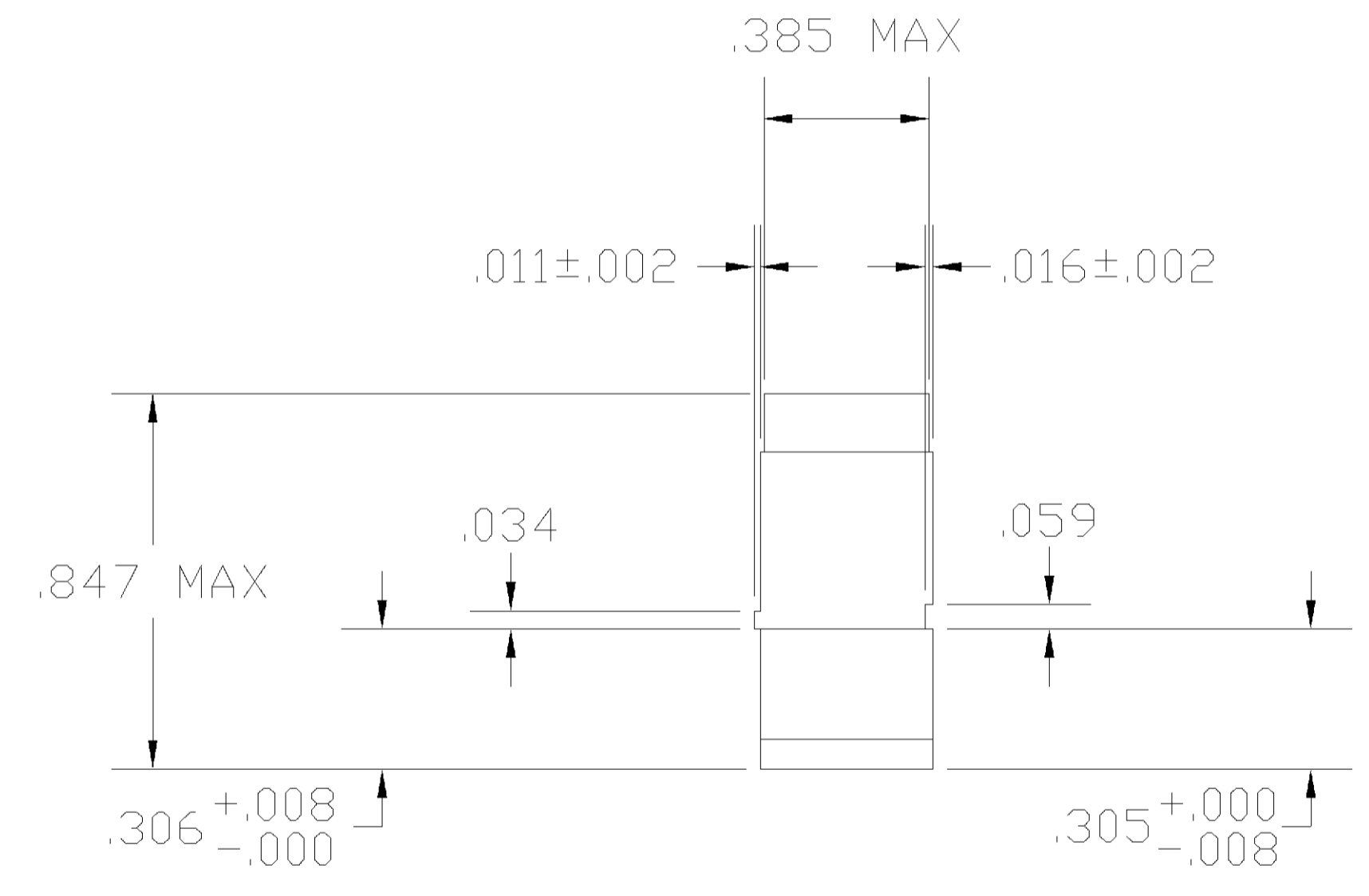
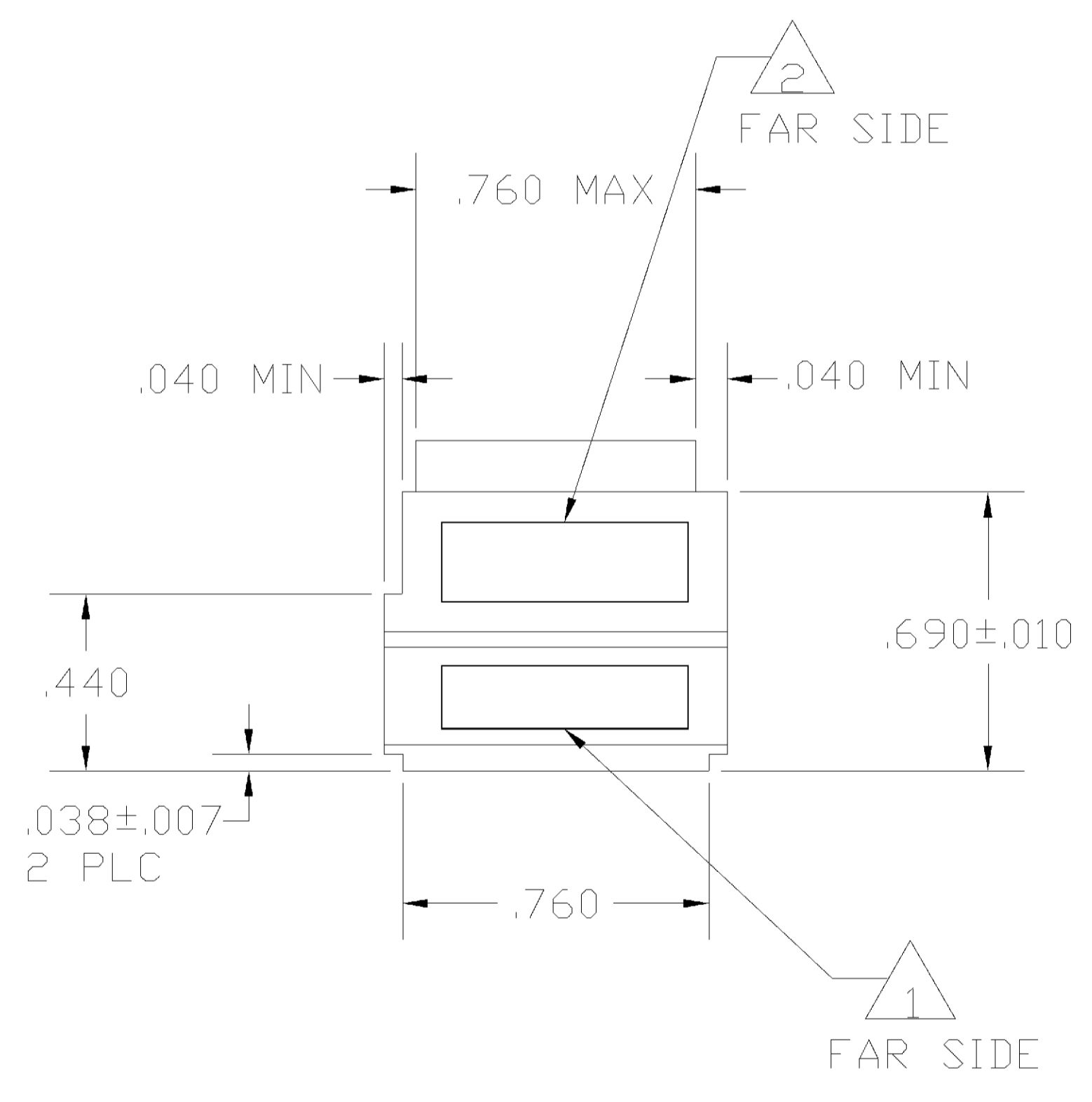
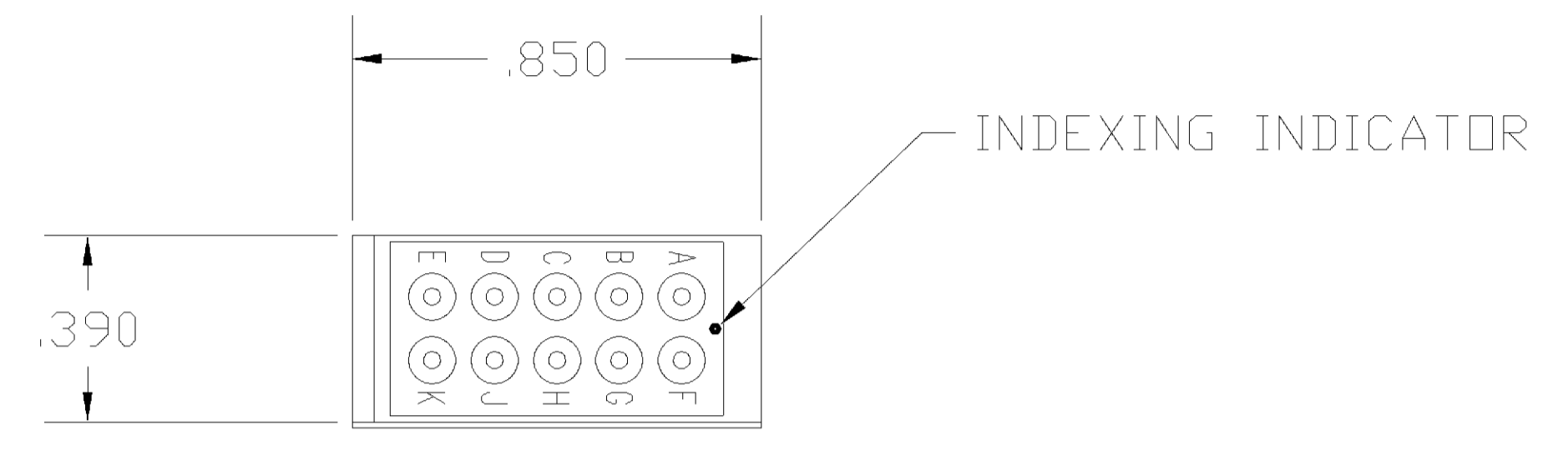


DESCRIPTION	MATERIAL	FINISH
MODULE ASSEMBLY	D.A.P. PER MIL-M14 TYPE SDG-F	COLOR: RED
GROMMET	FLUORSILICONE RUBBER MIL-R-25988 40/50	COLOR: NATURAL
CONTACT SOCKET	BERYLLIUM COPPER ASTM-B194	GOLD PLATE PER MIL-G-45204
RETAINING CLIP	BERYLLIUM COPPER ASTM-B194 OR STAINLESS STEEL PER QQ-S-766	NONE
CONTACTS	COPPER ALLOY PER MIL-C-39029/1	GOLD PLATE PER MIL-G-45204
SEALING PLUGS	F.E.P. PER MIL-P-19468	COLOR: RED

- 1 MARK MODULE ASSEMBLY WITH "AMP", AMP PART NO. AND DATE CODE .060 MINIMUM HIGH CHARACTERS AT APPROXIMATE AREA SHOWN.
- 2 MARK MODULE ASSEMBLY WITH CUSTOMER PART NO., MILITARY PART NO. IF REQUIRED .060 MINIMUM HIGH CHARACTERS AT APPROXIMATE AREA SHOWN.
- 3 BUSSING ARRANGEMENT OUTLINE DENOTES INTERNAL ARRANGEMENT OF SOCKET CONTACTS.
- 4 CONTACTS AND SEALING PLUGS ARE PACKAGED SEPARATELY WHEN REQUIRED.

REVISONS		DATE	BY	APP'D
DF	AO	1-02	CT	DM



### BUSSING ARRANGEMENTS 3

MRTB20E60-111		X																	2-592627-6	
MRTB20E57-111			X																	2-592627-5
MRTB20E56-111				X																2-592627-4
MRTB20E55-111					X															2-592627-3
MRTB20E52-111						X														2-592627-2
MRTB20E09-111							X													2-592627-1
MRTB20E04-111								X												2-592627-0
MRTB20E03-111									X											1-592627-9
		X																		1-592627-8
		X												X						1-592627-7
			X																	1-592627-6
SUPERSEDED BY 1-592624-8	M81714/2-BB3		X											X						1-592627-5
				X																1-592627-4
SUPERSEDED BY 1-592624-2	M81714/2-BC1			X										X						1-592627-3
					X															1-592627-2
SUPERSEDED BY 1-592624-0	M81714/2-BB2				X									X						1-592627-1
						X														1-592627-0
SUPERSEDED BY 2-592624-2	M81714/2-BC2					X								X						592627-9
							X													592627-8
SUPERSEDED BY 592624-7	M81714/2-BD1						X							X						592627-7
								X												592627-6
SUPERSEDED BY 592624-5	M81714/2-BE1								X					X						592627-5
										X										592627-4
SUPERSEDED BY 592624-3	M81714/2-BA1									X				X						592627-3
											X									592627-2
SUPERSEDED BY 592624-1	M81714/2-BB1										X			X						592627-1

MARKING 2	7061605756552090403	SEALING PLUG QTY 2 4	CONTACTS QTY 11 4	PART NO.																																
THIS DRAWING IS A CONTROLLED DOCUMENT.																																				
DIMENSIONS INCHES		TOLERANCES UNLESS OTHERWISE SPECIFIED		DATE																																
<table border="1"> <tr><td>0 PLC</td><td>± .010</td></tr> <tr><td>1 PLC</td><td>± .015</td></tr> <tr><td>2 PLC</td><td>± .020</td></tr> <tr><td>3 PLC</td><td>± .030</td></tr> <tr><td>4 PLC</td><td>± .040</td></tr> <tr><td>ANGLES</td><td>± .010</td></tr> </table>		0 PLC	± .010	1 PLC	± .015	2 PLC	± .020	3 PLC	± .030	4 PLC	± .040	ANGLES	± .010	<table border="1"> <tr><td>FINISH</td><td>—</td></tr> <tr><td>WEIGHT</td><td>—</td></tr> <tr><td>CUSTOMER DRAWING</td><td>—</td></tr> </table>		FINISH	—	WEIGHT	—	CUSTOMER DRAWING	—	<table border="1"> <tr><td>DATE</td><td>1-31-02</td></tr> <tr><td>NAME</td><td>D. MILLER</td></tr> <tr><td>PRODUCT SPEC</td><td>—</td></tr> <tr><td>APPLICATION SPEC</td><td>—</td></tr> <tr><td>SCALE</td><td>—</td></tr> <tr><td>SHEET</td><td>1 OF 1</td></tr> <tr><td>REV</td><td>A</td></tr> </table>	DATE	1-31-02	NAME	D. MILLER	PRODUCT SPEC	—	APPLICATION SPEC	—	SCALE	—	SHEET	1 OF 1	REV	A
0 PLC	± .010																																			
1 PLC	± .015																																			
2 PLC	± .020																																			
3 PLC	± .030																																			
4 PLC	± .040																																			
ANGLES	± .010																																			
FINISH	—																																			
WEIGHT	—																																			
CUSTOMER DRAWING	—																																			
DATE	1-31-02																																			
NAME	D. MILLER																																			
PRODUCT SPEC	—																																			
APPLICATION SPEC	—																																			
SCALE	—																																			
SHEET	1 OF 1																																			
REV	A																																			
MATERIAL		FINISH		RESTRICTED TO																																
—		—		—																																
—		—		—																																