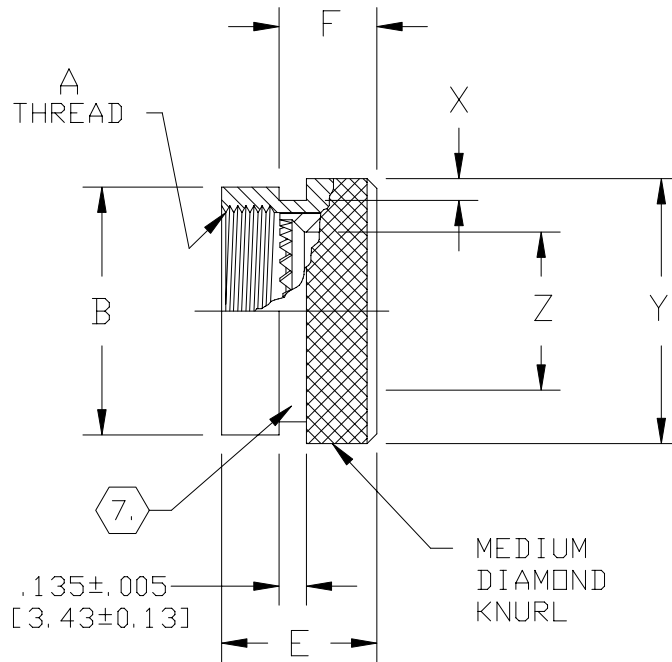


REVISIONS			
LTR	DESCRIPTION	DATE	APPROVED
J	REVISED PER ECN		



NOTES:

- THIS PRODUCT IS DESIGNED TO TERMINATE A HEAT SHRINKABLE LIPPED BOOT TO A CONNECTOR.
- FOR ADDITIONAL DIMENSIONS, ORDERING INFORMATION AND MODIFICATIONS, SEE CH00-0250-
- ADAPTER TO BE PERMANENTLY MARKED WITH CODE IDENT. NO. AND PART NO. (E.G.: 06090-201M912-19A).
- ADAPTER MATES TO MIL-C-81703, SERIES III, MS3424, MS3446, MS3464, MS3467, MS3468, CLASS E & F.
- ADAPTER MATES TO MIL-C-5015G, MS3400 SERIES, CLASS D, E, K, L, U & W: MS3400, MS3401, MS3404, MS3406, MS3450, MS3451, MS3454, MS3456, MS3470, MS3471, MS3472, MS3474, MS3475, MS3476. MIL-C-83723, SERIES II, CLASS A & L. MIL-C-83723, SERIES I & III, CLASS A, G, K, R & S: M83723/1, /2, /3, /4, /5, /6, /7, /8, /13, /14, /36, /37, /38, /39, /40, /41, /42, /43, /48, /49, /65, /66, /67, /68, /69, /70, /71, /72, /73, /74, /75, /76, /77, /78, /82, /83, /84, /85, /86, /87, /91, /92, /95, /97, /98, (MS3155 CONTROLLED INTERFACE).
- THIS PRODUCT IS A FUNCTIONAL EQUIVALENT OF MIL-C-85049/60-2.
- KNURL INSIDE BOOT GROOVE MAY BE SUPPLIED AT MANUFACTURER'S OPTION.

If this document is printed it becomes uncontrolled.
Check for the latest revision.

SPECIFICATION CONTROL DRAWING

UNLESS OTHERWISE SPECIFIED DIMENSIONS ARE IN INCHES. METRIC DIMENSIONS ARE IN BRACKETS. DECIMALS .XXX ± — [mm] .XX ± — [mm] .X ± — [mm] ANGLES .X ± —	DRAWN R. RAMIREZ	DATE 03-18-93		Tyco Electronics Corporation 300 Constitution Drive Menlo Park, CA. 94025 U.S.A.		
	CHECKED	DATE				
	APPROVED W. C. GAY	DATE 05-19-93	TITLE ADAPTER, SOLID CODE 54			
	APPROVED	DATE	CAD NAME \ACAD12\201M9XX			
THIRD ANGLE PROJECTION 	SIZE A	CODE IDENT. NO. 06090	DWG. NO. 201M9XX	REV J	DO NOT SCALE THIS DWG	
				SHEET 1 OF 2		

BASE PART NO.	SHELL SIZE		A THREAD CLASS 2B	B +.000 -.020 [+0.00] [-0.51] DIA	Y +.000 -.045 [+0.00] [-1.14] DIA	X +.008 -.000 [+0.20] [-0.00] DIM	E MAX DIM	Z MIN DIA	F ±.031 [±0.80] DIM
	4	5							
201M903	3		.562-24 UNEF	.709 [18.01]	.750 [19.05]	.044 [1.12]	.540 [13.72]	.255 [6.47]	.406 [10.31]
201M908		8 & 8S	.500-20 UNF	.657 [16.69]	.688 [17.48]	↑	↑	.255 [6.47]	↑
201M910		10, 10S & 10SL	.625-24 UNEF	.774 [19.66]	.803 [20.40]	↓		.360 [9.14]	
201M912	7	12 & 12S	.750-20 UNEF	.898 [22.81]	.938 [23.83]	↓		.496 [12.60]	
201M914	12	14 & 14S	.875-20 UNEF	1.024 [26.01]	1.063 [27.00]	.044 [1.12]		.570 [14.48]	
201M916	19	16 & 16S	1.000-20 UNEF	1.152 [29.26]	1.238 [31.45]	.069 [1.75]		.695 [17.65]	
201M918	27	18	1.062-18 UNEF	1.243 [31.57]	1.310 [33.27]	↑		.774 [19.66]	
201M920	37	20	1.188-18 UNEF	1.370 [34.80]	1.436 [36.47]	↓		.899 [22.83]	
201M922		22	1.312-18 UNEF	1.443 [36.65]	1.560 [39.62]	↓	↓	1.024 [26.01]	↓
201M924		24	1.438-18 UNEF	1.618 [41.10]	1.686 [42.82]	.069 [1.75]	.540 [13.72]	1.139 [28.93]	.406 [10.31]
201M928		28	1.750-18 UNS	1.969 [50.01]	2.062 [52.37]	.086 [2.18]	.702 [17.83]	1.374 [34.90]	.563 [14.30]
201M932		32	2.000-18 UNS	2.219 [56.36]	2.312 [58.72]	↑	↑	1.620 [41.15]	↑
201M936		36	2.250-16 UN	2.469 [62.71]	2.562 [65.07]	↓	↓	1.835 [46.61]	↓
201M940		40	2.500-16 UN	2.719 [69.06]	2.812 [71.42]	↓	↓	2.050 [52.07]	↓
201M944		44	2.750-16 UN	2.969 [75.41]	3.062 [77.77]	↓	↓	2.305 [58.55]	↓
201M948		48	3.000-16 UN	3.219 [81.76]	3.312 [84.12]	.086 [2.18]	.702 [17.83]	2.555 [64.90]	.563 [14.30]
201M961	61		1.500-18 UNEF	1.653 [41.99]	1.748 [44.40]	.069 [1.75]	.540 [13.72]	1.179 [29.95]	.406 [10.31]

If this document is printed it becomes uncontrolled.
Check for the latest revision.

SIZE A	CODE IDENT. NO. 06090	DWG. NO. 201M9XX	REV J
DO NOT SCALE THIS DWG		CAD NAME \ACAD12\201M9X-2	SHEET 2 OF 2