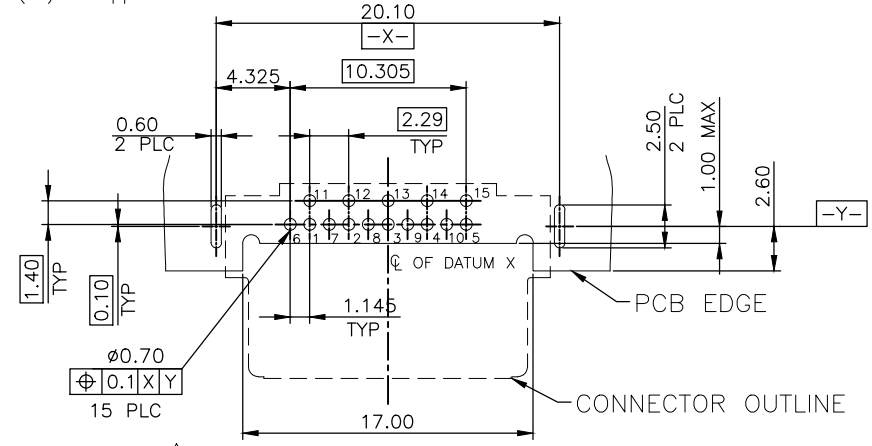
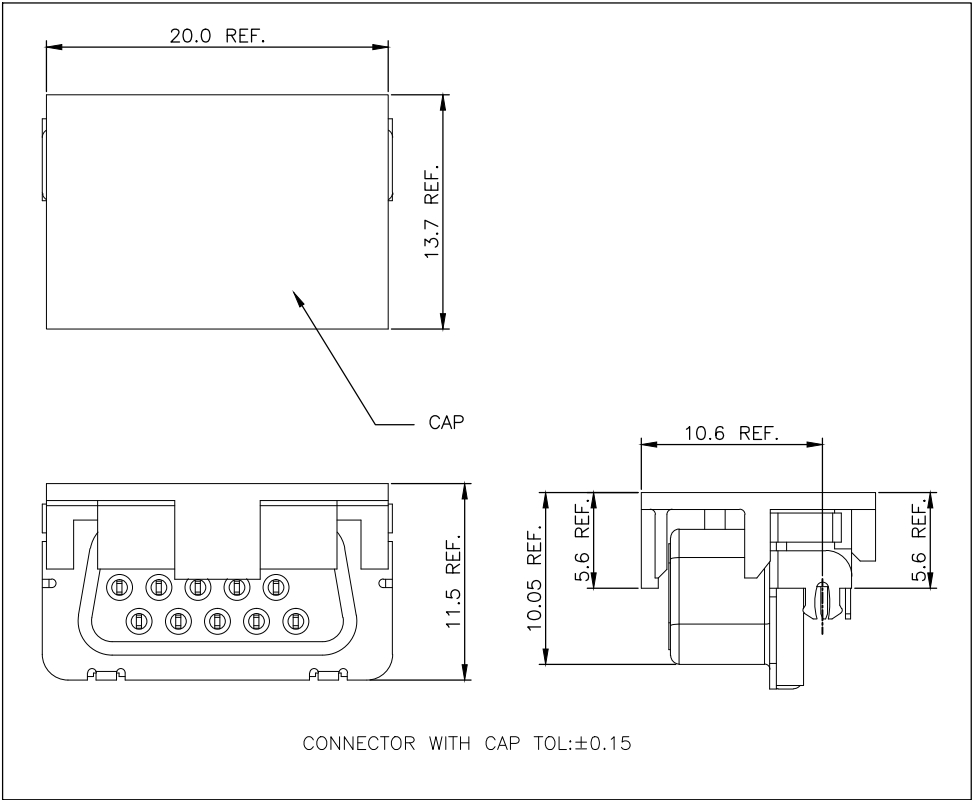


THIS DRAWING IS UNPUBLISHED. RELEASED FOR PUBLICATION
 © COPYRIGHT BY TYCO ELECTRONICS CORPORATION. ALL RIGHTS RESERVED.

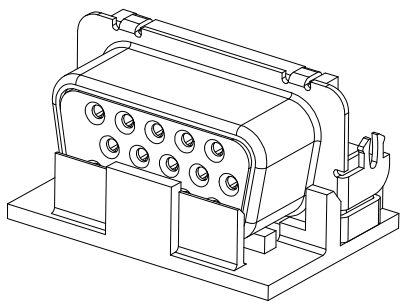
LOC	DIST	REVISIONS					
		P	LTR	DESCRIPTION	DATE	DWN	APVD
DW	-	B		REVISED ECO-15-011832	08OCT15	AP	DG

- NOTES:
- MATERIAL:
 HOUSING: PA9T WITH 30% GF, UL 94V-0, COLOR: BLACK. OR LCP WITH 30% GF, UL 94V-0, COLOR: BLACK.
 CAP: PA9T WITH 30% GF, UL 94V-0, COLOR: BLACK. OR LCP WITH 30% GF, UL 94V-0, COLOR: BLACK.
 CONTACTS: BRASS.
 SHELL: SPCC.
 - FINISH:
 CONTACTS: GOLD FLASH PLATED ON CONTACT AREA, 2.54um[100u"] MIN. MATTE-TIN PLATED ON SOLDER TAIL, 1.27um[50u"] MIN. NICKEL UNDERPLATED OVER ALL.
 SHELL: 2.54um[100u"] MIN. NICKEL OR PLATED. OR 2.54um[100u"] MIN. BLACK NICKEL PLATED.
 - RECOMMENDED PCB THICKNESS: 1.2mm.
 - REFLOW SOLDER CAPABLE TO 260°C PER TE TEST SPEC. 109-201, CONDITION B.
 - NO BOARD LOCK FUNCTION.
 - LOW HALOGEN SPECIFICATION: (P/N: 2041127-4)
 CHLORINE(Cl): 900ppm MAX.
 BROMINE(Br): 900ppm MAX.



5 RECOMMENDED P.C.B LAYOUT(T=1.20mm)
 TOP VIEW, TOLERANCE: ±0.05

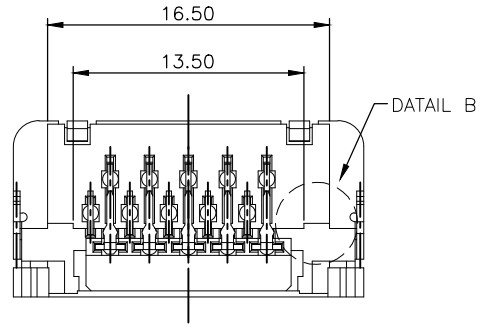
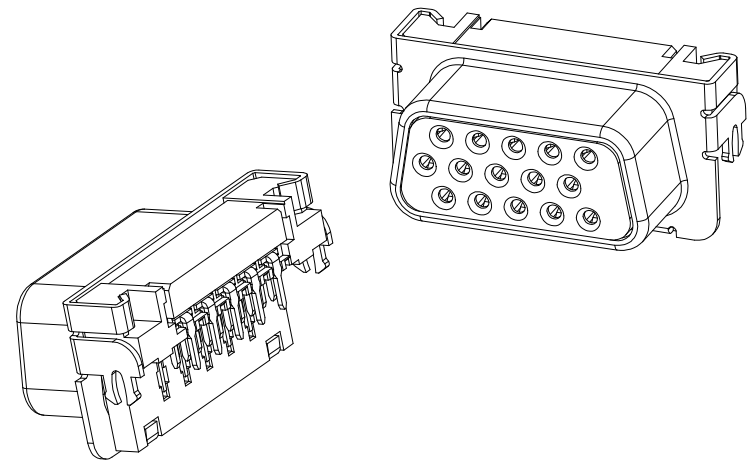
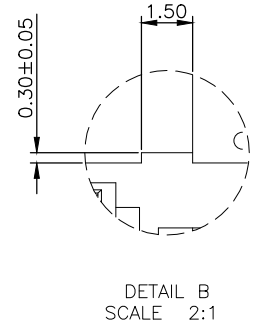
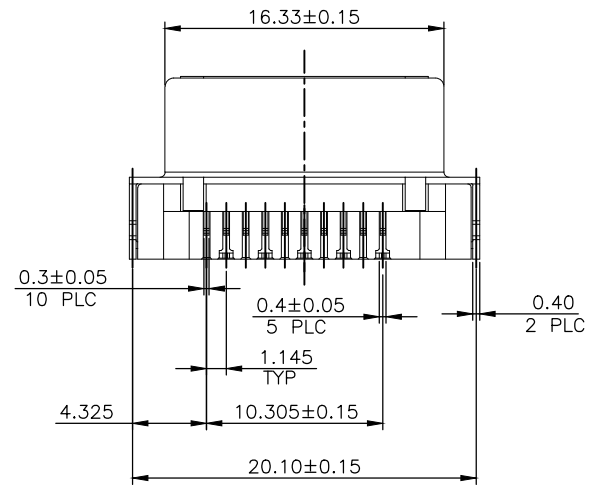
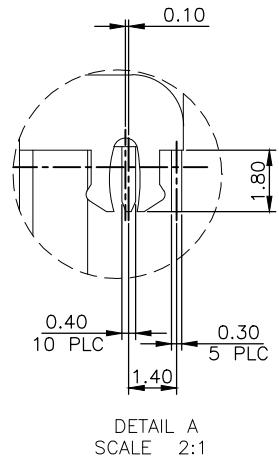
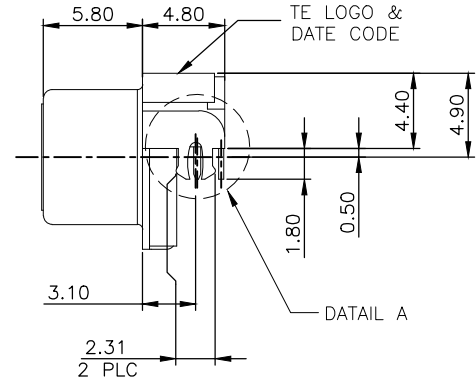
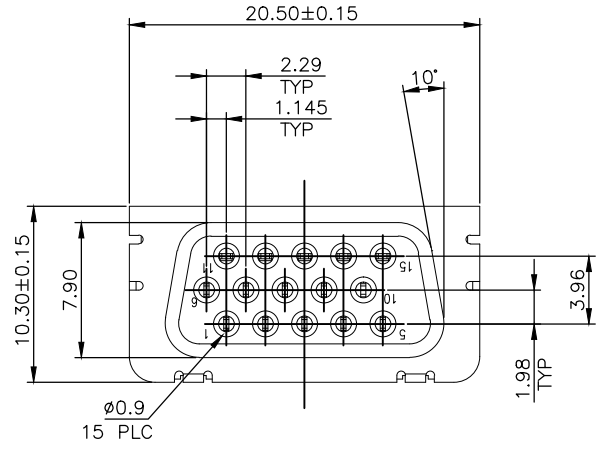
6	LOW HALOGEN	BLACK NICKEL	LCP	LCP	2041127-4
	WITH	NICKEL	PA9T	PA9T	2041127-1
	HALOGEN	SHELL PLATING	CAP MATERIAL	HOUSING MATERIAL	PART NUMBER




THIS DRAWING IS A CONTROLLED DOCUMENT.		DWN B. HSING 05MAR2009	TE CONNECTIVITY D-SUB, 15P, R/A, SLIM, RVS, DIP		
DIMENSIONS: MM		CHK S. CHIEN 05MAR2009			
TOLERANCES UNLESS OTHERWISE SPECIFIED:		APVD W. KODAMA 05MAR2009	NAME		
0 PLC ± -		PRODUCT SPEC	108-57751		
1 PLC ± 0.30		APPLICATION SPEC	-		
2 PLC ± 0.20		WEIGHT	3.5 GRAMS		
3 PLC ± 0.15		CUSTOMER DRAWING	A3		
4 PLC ± -		SCALE	-		
ANGLES ± 3'		SHEET	1 OF 5		
MATERIAL SEE NOTE	FINISH SEE NOTE	DRAWING NO	C=2041127		
		RESTRICTED TO	-		
		REV	B		

THIS DRAWING IS UNPUBLISHED.
 © COPYRIGHT - BY TYCO ELECTRONICS CORPORATION. ALL RIGHTS RESERVED.

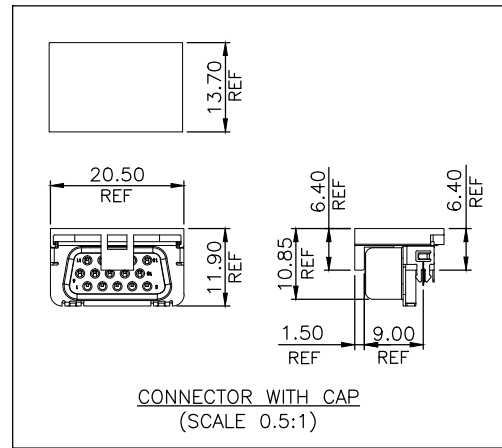
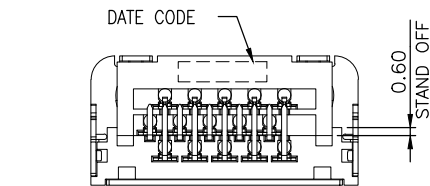
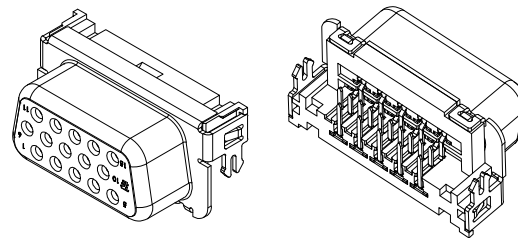
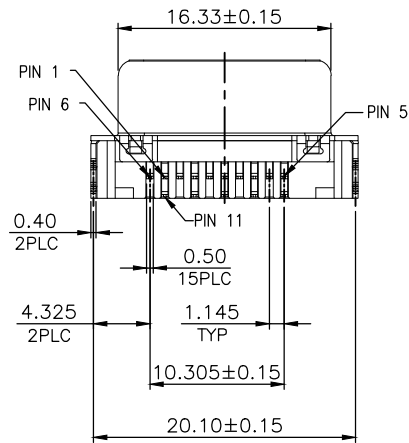
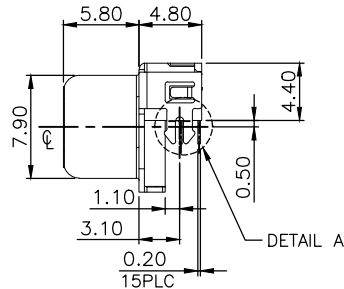
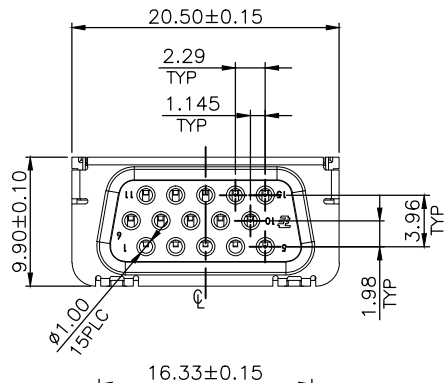
LOC	DIST	REVISIONS			
P	LTR	DESCRIPTION	DATE	DWN	APVD
DW	-	SEE SHEET 1.			



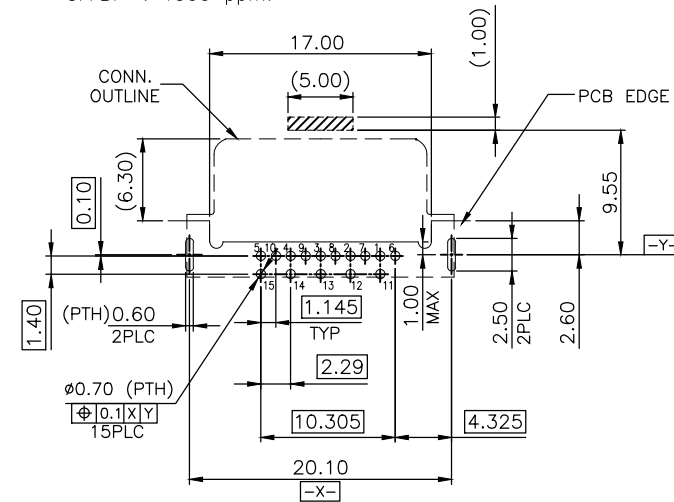
2041127-4
2041127-1
PART NUMBER

THIS DRAWING IS A CONTROLLED DOCUMENT.		DWN	 TE CONNECTIVITY				
DIMENSIONS: MM		CHK					
TOLERANCES UNLESS OTHERWISE SPECIFIED: 0 PLC ± - 1 PLC ± 0.30 2 PLC ± 0.20 3 PLC ± 0.15 4 PLC ± - ANGLES ± 3°		APVD	NAME				
MATERIAL		FINISH	PRODUCT SPEC	D-SUB, 15P, R/A, SLIM, RVS, DIP			
-		-	APPLICATION SPEC	SIZE	CAGE CODE	DRAWING NO	RESTRICTED TO
-		-	WEIGHT	A3	00779	C=2041127	-
CUSTOMER DRAWING			SCALE	SHEET	REV		
			-	2 OF 5	B		

LOC	DIST	REVISIONS					
		P	LTR	DESCRIPTION	DATE	DWN	APVD
DW	-			SEE SHEET 1.			

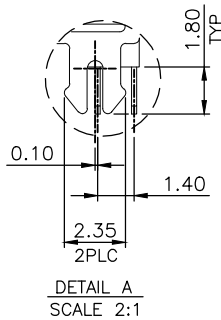


- NOTES:
- MATERIAL:
HOUSING: LCP WITH 30% GF, UL 94V-0, COLOR: BLACK.
CAP: LCP WITH 30% GF, UL 94V-0, COLOR: BLACK.
CONTACTS: PHOSPHOR BRONZE.
SHELL: STEEL.
 - FINISH:
CONTACTS: GOLD FLASH PLATED ON CONTACT AREA, 3.04um[120u"] MIN. MATTE-TIN PLATED ON SOLDER TAIL, 1.27um[50u"] MIN. NICKEL UNDERPLATED OVER ALL.
SHELL: 1.27um[50u"] MIN. NICKEL. 2.03um[80u"] MIN. COPPER UNDERPLATED.
 - RECOMMENDED PCB THICKNESS: 1.2mm.
 - REFLOW SOLDER CAPABLE TO 260°C PER TE TEST SPEC. 109-201, CONDITION B.
 - NO BOARD LOCK FUNCTION.
 - LOW HALOGEN SPEC:
CHLORINE(Cl): 900ppm MAX.
BROMINE(Br): 900ppm MAX.
Cl+Br < 1500 ppm.



△ CAP STAND OFF AREA RECOMMENDED PCB LAYOUT (TOP VIEW)
P.C.B. THICKNESS: 1.2mm, TOLERANCE: ±0.05

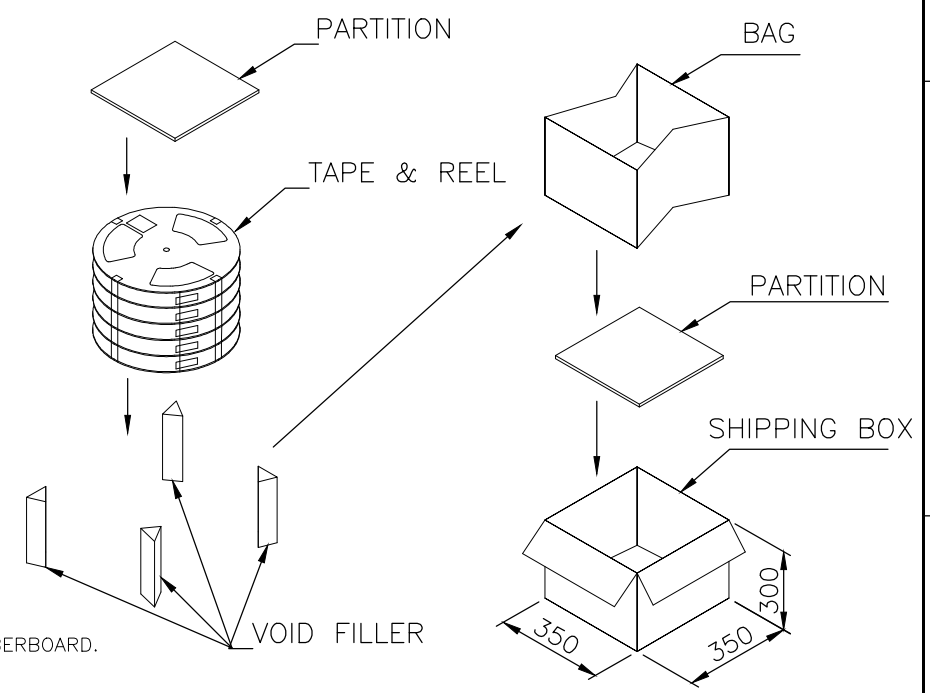
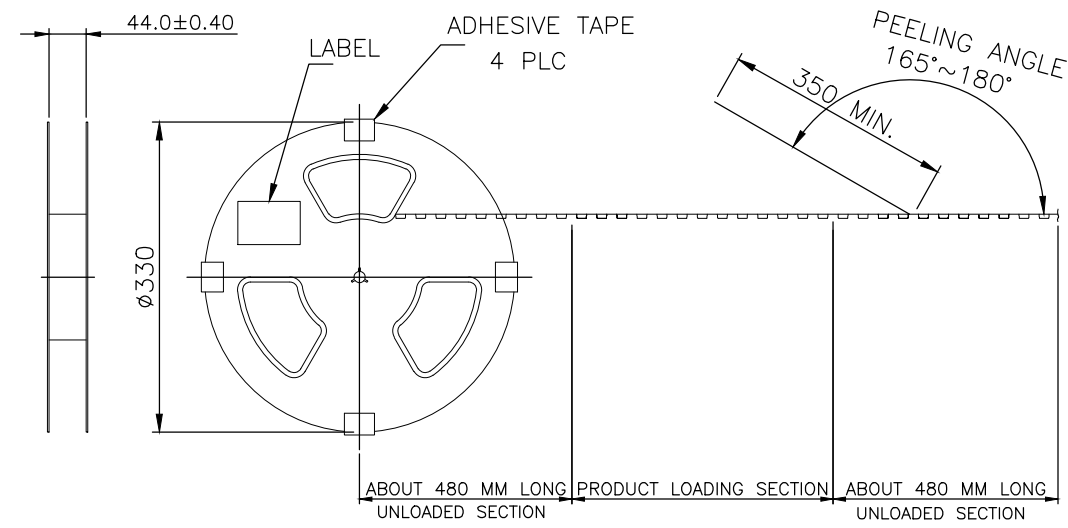
OBSOLETE	GOLD FLASH	1-2041127-1
	MINIMUM GOLD PLATING	PART NUMBER



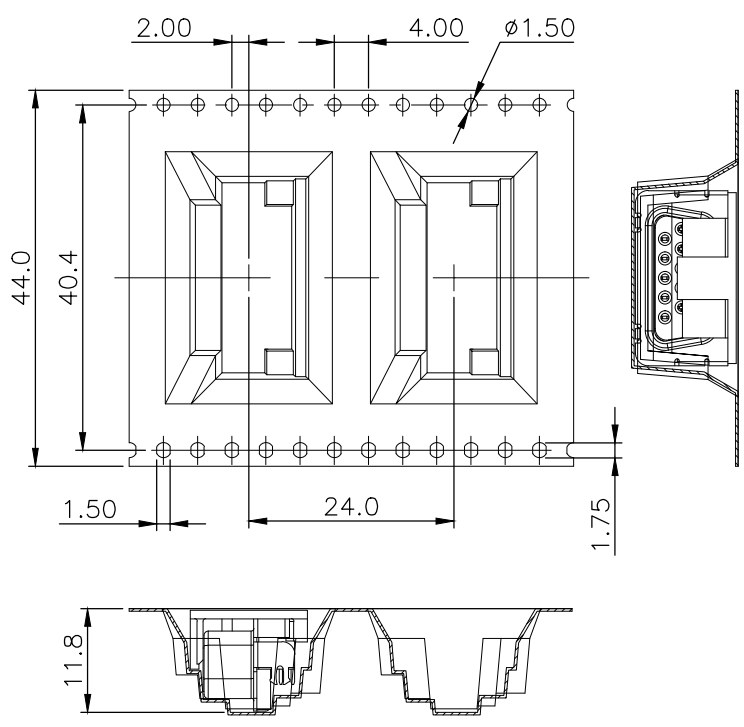
THIS DRAWING IS A CONTROLLED DOCUMENT.		DWN				
DIMENSIONS: MM		CHK				
TOLERANCES UNLESS OTHERWISE SPECIFIED:		APVD	NAME			
0 PLC ±		PRODUCT SPEC	D-SUB, 15P, R/A, SLIM, RVS, DIP			
1 PLC ± 0.3		APPLICATION SPEC				
2 PLC ± 0.2		WEIGHT	SIZE	CAGE CODE	DRAWING NO	RESTRICTED TO
3 PLC ± 0.15		3.4 GRAMS	A3	00779	C=2041127	-
4 PLC ±		CUSTOMER DRAWING	SCALE	SHEET	3 OF 5	REV
ANGLES ± 3'			-			B
MATERIAL	FINISH					
SEE NOTE	SEE NOTE					

THIS DRAWING IS UNPUBLISHED. RELEASED FOR PUBLICATION
 © COPYRIGHT BY TYCO ELECTRONICS CORPORATION. ALL RIGHTS RESERVED.

LOC	DIST	REVISIONS					
		P	LTR	DESCRIPTION	DATE	DWN	APVD
DW	-			SEE SHEET 1.			



- NOTES:
- MATERIAL:
 CARRIER TAPE: PS.
 COVER TAPE: PET.
 REEL: PS.
 SHIPPING BOX: CORRUGATED FIBERBOARD.
 - DIMENSION:
 REEL: $\phi = 330$.
 SHIPPING BOX: L=350, W=350, H=300.
 - QUANTITY: SEE TABLE.
 - SHIPPING BOX WEIGHT: SEE TABLE.
 - PEELING STRENGTH: 0.1~1.3N(10~130 GRAMS)
 - PEELING SPEED: 300mm/min.

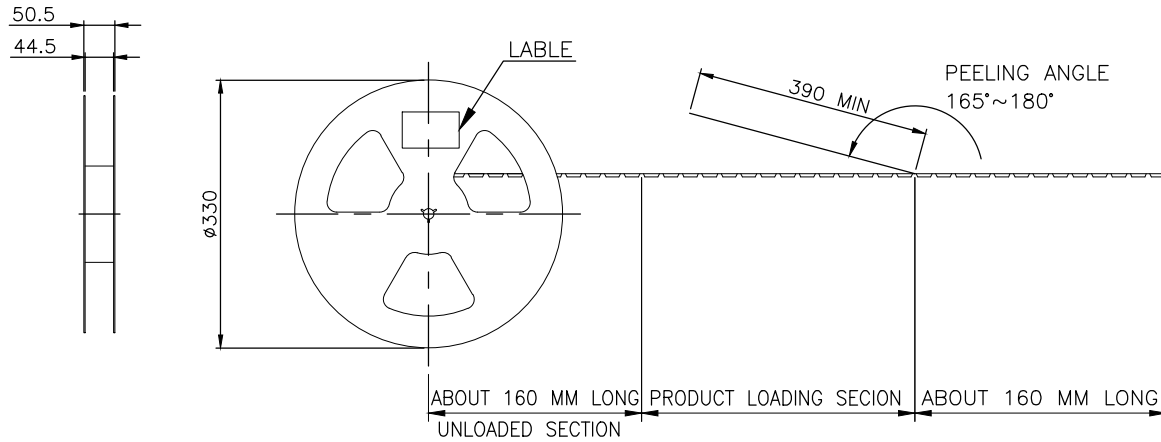


200	6	1200	7.5	4.2	2041127-4 2041127-1
PCS/REEL	REELS/BOX	QUANTITY (PCS)	G/W (Kg)	N/W (Kg)	PART NUMBER

THIS DRAWING IS A CONTROLLED DOCUMENT.		DWN	TE CONNECTIVITY		
DIMENSIONS: MM		CHK			
TOLERANCES UNLESS OTHERWISE SPECIFIED:		APVD	NAME		
0 PLC ± -		PRODUCT SPEC	D-SUB, 15P, R/A, SLIM, RVS, DIP		
1 PLC ± -		APPLICATION SPEC	SIZE	CAGE CODE	DRAWING NO
2 PLC ± -			A3	00779	C=2041127
3 PLC ± -		WEIGHT	RESTRICTED TO		
4 PLC ± -			-		
4 PLC ANGLES ± -		CUSTOMER DRAWING	SCALE	SHEET	REV
FINISH			-	4 OF 5	B

THIS DRAWING IS UNPUBLISHED. RELEASED FOR PUBLICATION AUG ,2006.
 © COPYRIGHT 2009 BY TYCO ELECTRONICS CORPORATION. ALL RIGHTS RESERVED.

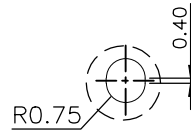
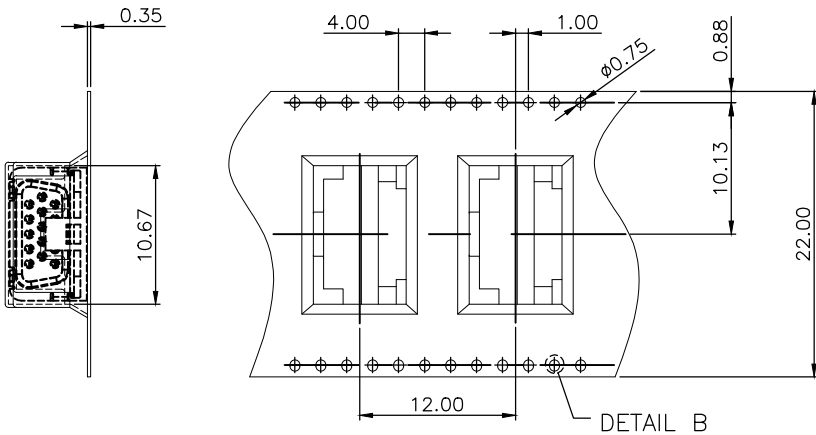
LOC	DIST	REVISIONS					
DW		P	LTR	DESCRIPTION	DATE	DWN	APVD
				SEE SHEET 1.			



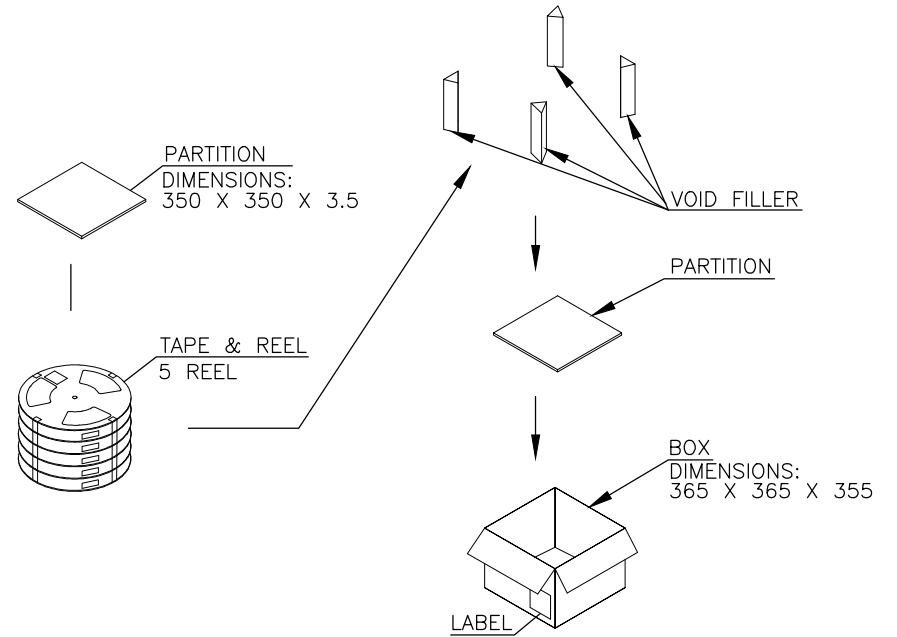
NOTE:

1. MATERIAL:
BOX: FIBREBOARD, CORRUGATED, DOUBLE WALL.
TAPE: PS.
REEL: PS.
2. PEELING STRENGTH: 0.1 ~ 1.3 N (10 ~ 130 GRAMS)
3. PEELING SPEED: 300 mm/min.

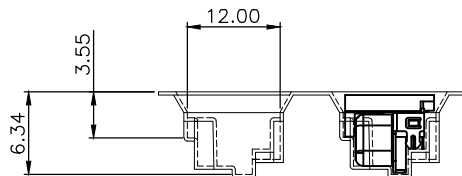
PULL OUT DIRECTION →



DETAIL B
SCALE 4:1



OBSELETE	200	6	1200	7.7 KG	3.8 KG	1-2041127-1
	PCS/TAPE	REELS/CARTON	QUANTITY	GROSS WEIGHT	NET WEIGHT	PART NUMBER



THIS DRAWING IS A CONTROLLED DOCUMENT.		DWN					
DIMENSIONS: MM		TOLERANCES UNLESS OTHERWISE SPECIFIED:					
		0 PLC ± - 1 PLC ± - 2 PLC ± - 3 PLC ± - 4 PLC ± - ANGLES ± - FINISH		APVD		D-SUB, 15P, R/A, SLIM, RVS, DIP	
MATERIAL				PRODUCT SPEC		SIZE	
				APPLICATION SPEC		CAGE CODE	
				WEIGHT		DRAWING NO	
				CUSTOMER DRAWING		A3 00779 C=2041127	
				SCALE		RESTRICTED TO	
				SHEET		REV	
				5 OF 5		B	