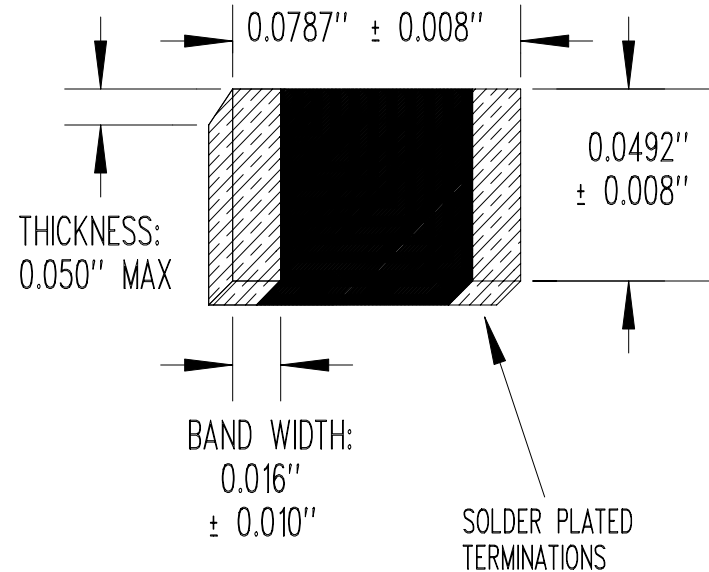


RESISTANCE/TEMPERATURE TABLE			
TEMP (°C)	RESIS (Ω)	TEMP (°C)	RESIS (Ω)
-40	9,428	45	253.0
-35	7,151	50	216.0
-30	5,480	55	185.3
-25	4,240	60	159.7
-20	3,311	65	138.2
-15	2,607	70	120.1
-10	2,070	75	104.7
-5	1,656	80	91.66
0	1,335	85	80.52
5	1,083	90	70.99
10	884.8	95	62.79
15	727.3	100	55.71
20	601.3	105	49.59
25	500.0	110	44.26
30	418.3	115	39.62
35	351.9	120	35.57
40	297.6	125	32.01



RESISTANCE @ +25°C = 500 Ω ± 5%
 BETA "β" (+25 TO +85°C) = 3,250°K NOMINAL
 POWER RATING = 300 mW
 OPERATING TEMPERATURE RANGE = -40 TO +125°C

SEE MANUFACTURING SPECIFICATION (LAYER 1)

NONE	RELEASE TO PRODUCTION	09/29/04	DD
REV	REVISION RECORD	DATE	APP

SCALE	NONE	U.S. SENSOR CORP. 1832 W. COLLINS AVE. ORANGE, CA. 92867 714-639-1000 www.ussensor.com
DRAWN BY	DAN DANKERT	
DATE	09/29/04	
REV.	NONE	
LAYER	0 OF 2	
		THERMISTOR, NTC CHIP
		P/N KR501DOJ