

REVISIONS				
P	LTR	DESCRIPTION	DATE	APP'D
B3	REVISED PER	ECO-16-018632	13APR2017	SK PO

SPECIFICATIONS:

MATERIALS:

CASE: NYLON 66, BLACK  
 ACTUATOR: NYLON 66 OR PPS, SEE P/N TABLE  
 COVER: STEEL, TIN FINISH  
 MOVING CONTACT: COPPER ALLOY-SILVER FINISH  
 FIXED CONTACT/TERMINAL: COPPER ALLOY-SILVER OVER NICKEL FINISH

ELECTRICAL:

MAX CONTACT RATING: 50MILLIAMPS@24V DC,  
 MIN CONTACT RATING: 10MICROAMPS@1V DC  
 INITIAL CONTACT RESISTANCE, 100 MILLIOHMS MAX  
 INSULATION RESISTANCE, 100 MEGOHM MIN. @ 100V DC  
 DIELECTRIC STRENGTH, 500 V AC FOR 1 MINUTE  
 LIFE EXPECTANCY, 100,000 CYCLES MIN (2 CYCLES PER SECOND AND 150% ACTUATION FORCE), EXCEPT FOR THE 520 GF MODEL WHICH WOULD BE 50,000 CYCLES MIN.

MECHANICAL:

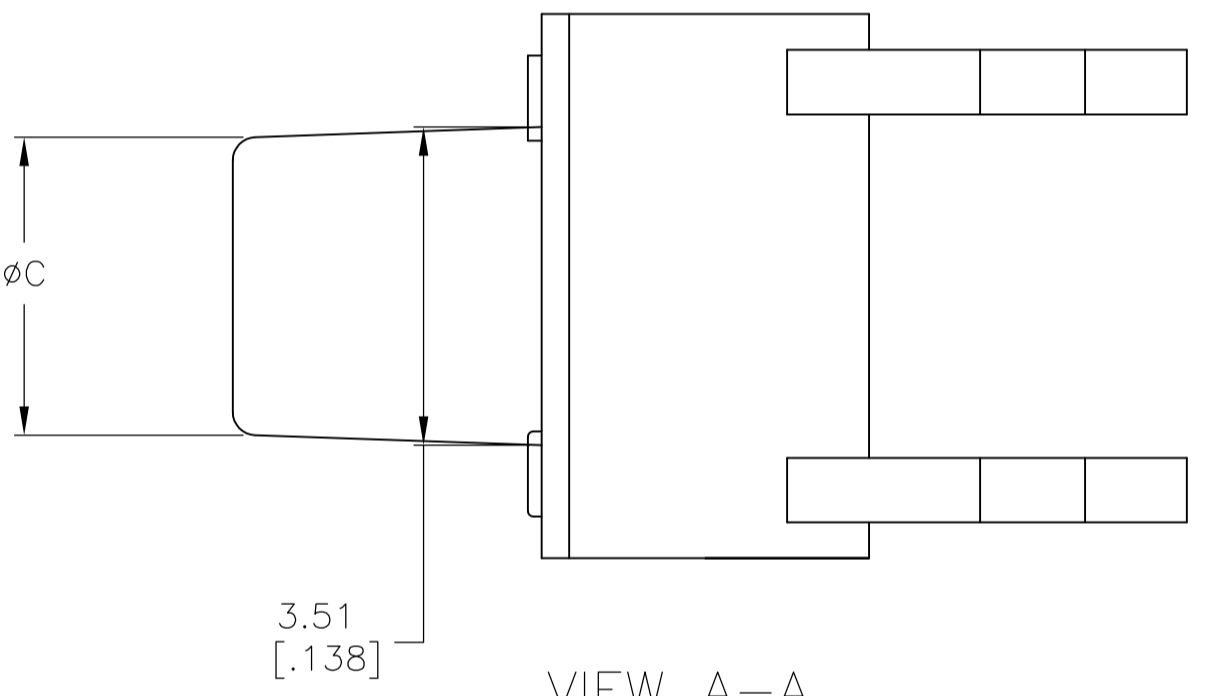
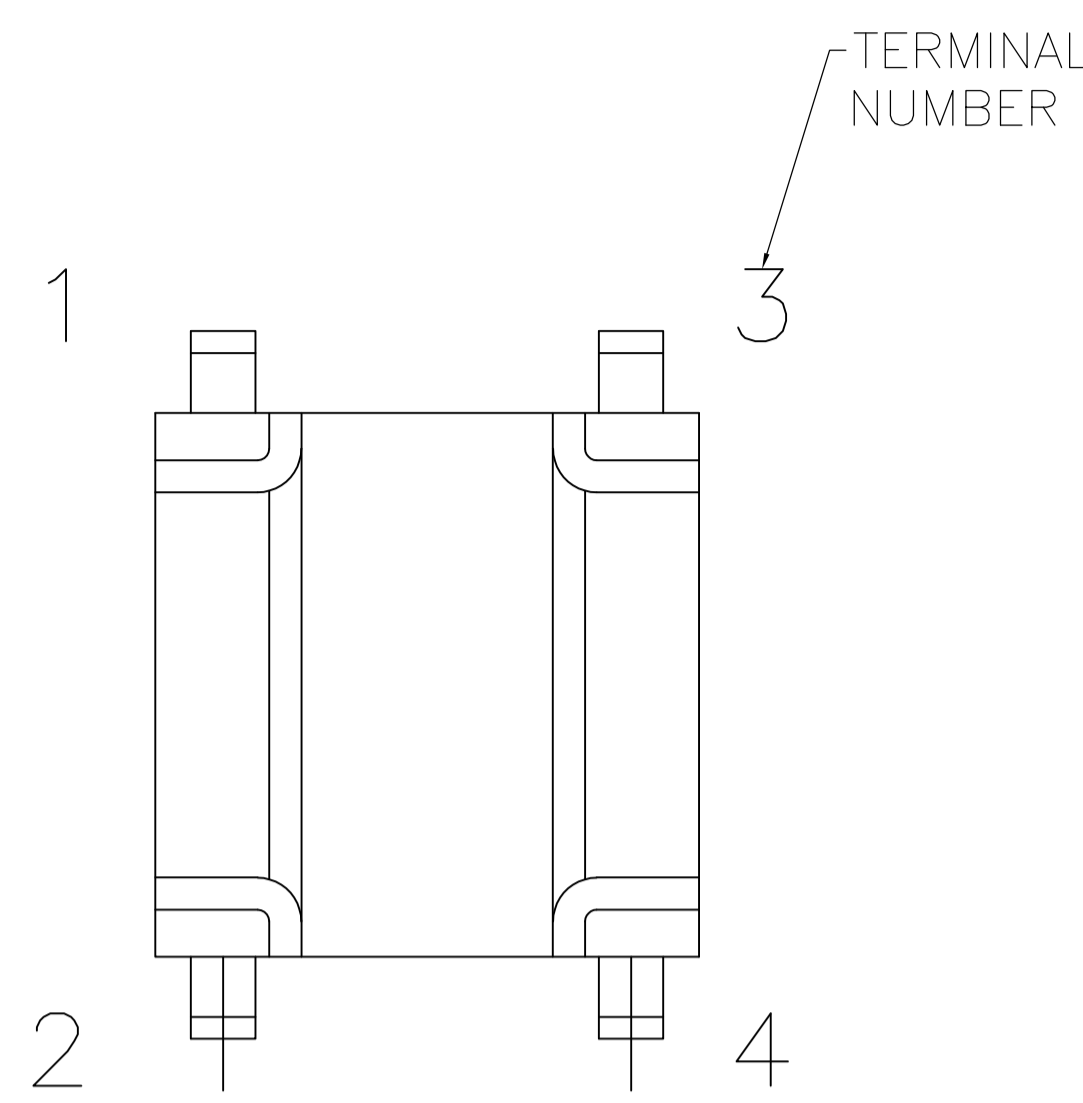
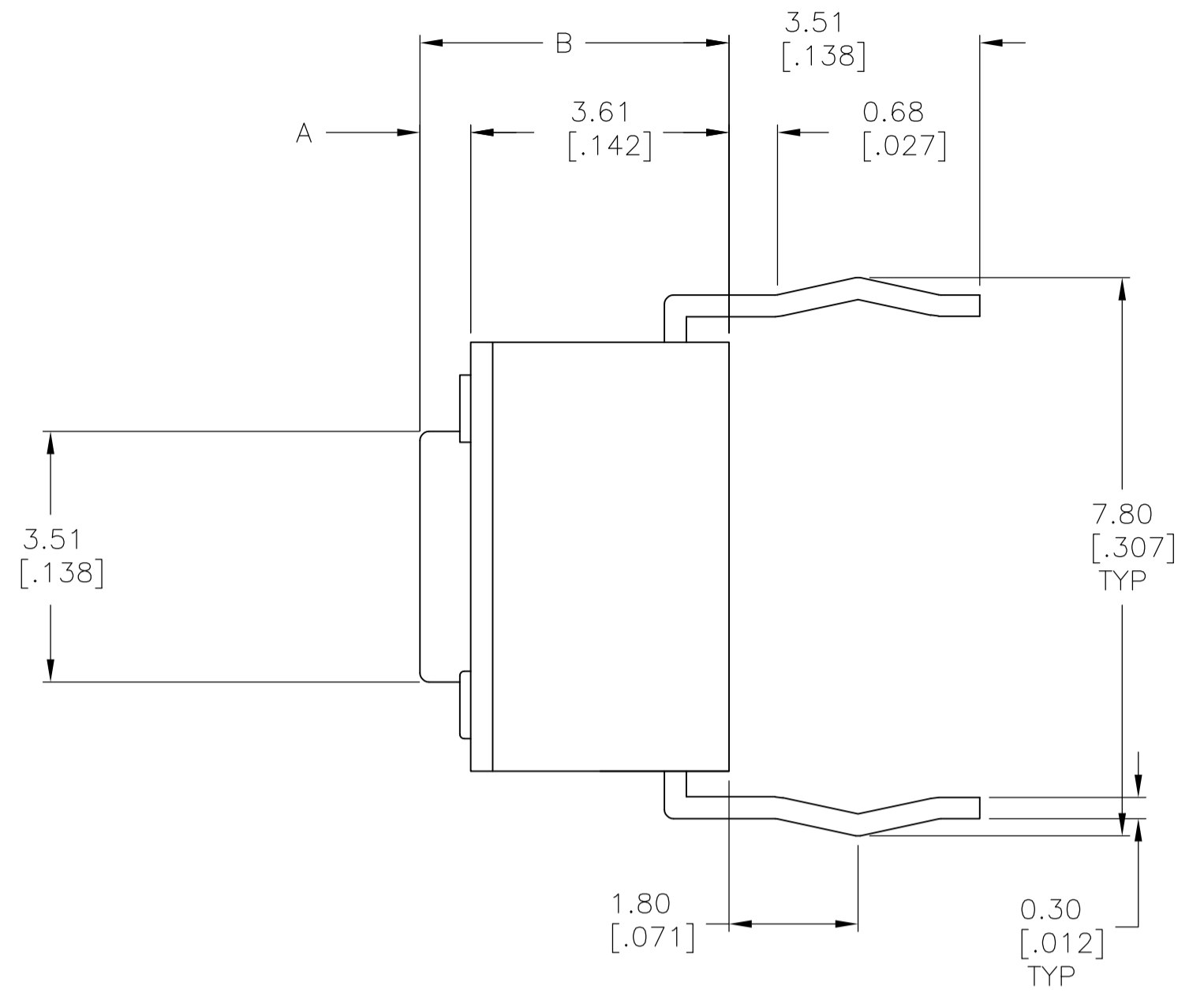
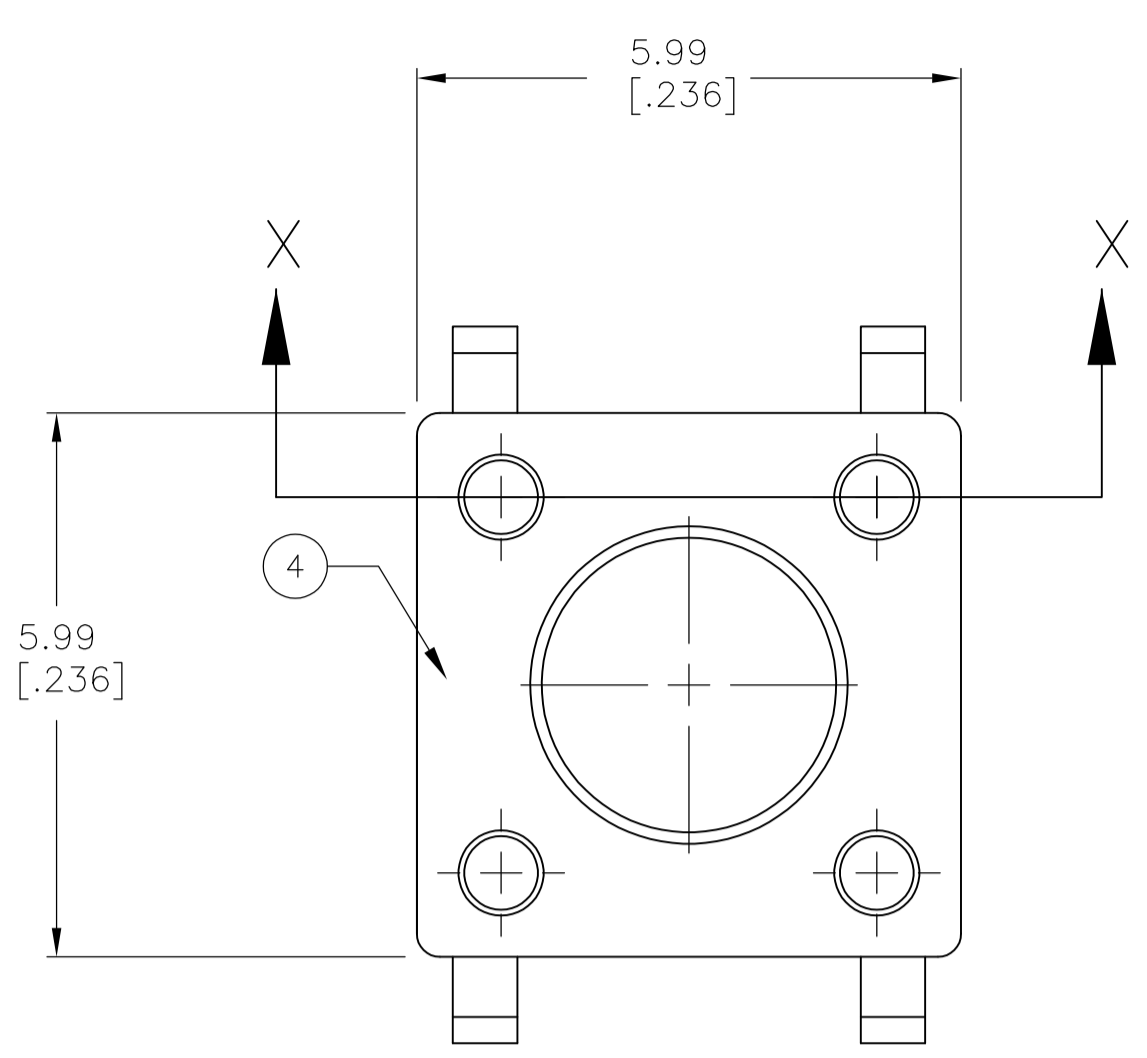
ACTUATION FORCE, SEE TABLE  
 ACTUATION TRAVEL, .010 +.008/-.004  
 LIFE EXPECTANCY, 100,000 CYCLES MIN (2 CYCLES PER SECOND AND 150% ACTUATION FORCE), EXCEPT FOR THE 520 GF MODEL WHICH WOULD BE 50,000 CYCLES MIN.

ENVIRONMENTAL:

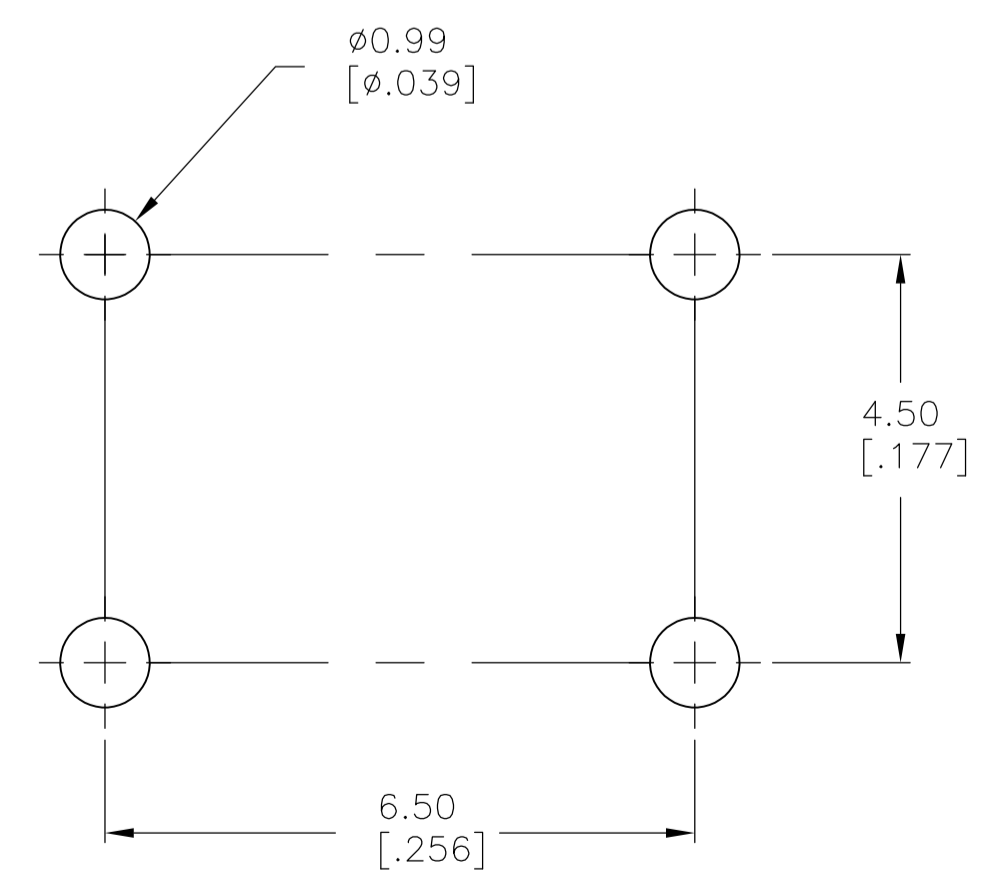
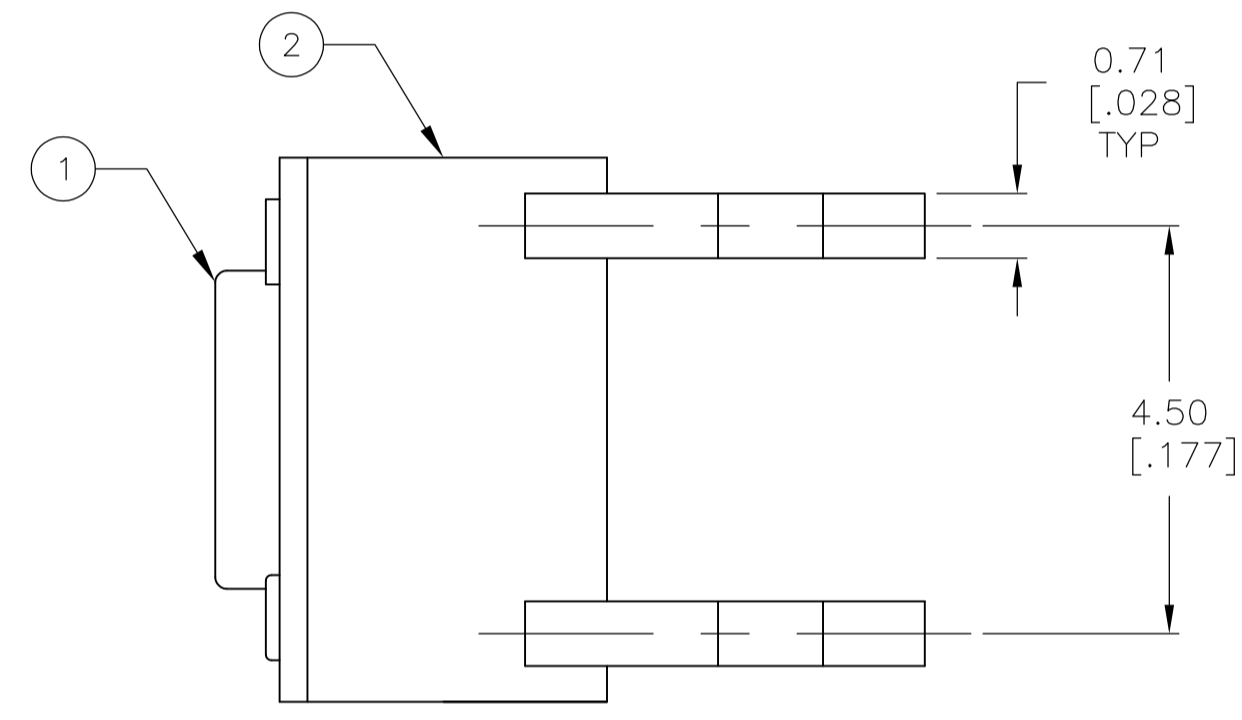
OPERATING TEMPERATURE, -35 TO +85 DEGREES C  
 STORAGE TEMPERATURE, -35 TO +85 DEGREES C  
 THERMAL SHOCK, PER EIA-364-32C, -35 TO +85 DEGREES C  
 SOLDERABILITY, PER EIA-364-52, CLASS 2, CATEGORY 1, CATEGORY 2, 95% MINIMUM COVERAGE  
 RESISTANCE TO SOLDER HEAT, PER 109-202, CONDITION B

Notes:

1. ALL MATERIALS AND FINISHES SHALL COMPLY WITH EU DIRECTIVE 2002/95/EC OF 27JAN2003 (ROHS).



VIEW A-A  
 FSM6J THRU FSM18J



RECOMMENDED HOLE LAYOUT  
 TOLERANCE ±0.05[.002] UNLESS OTHERWISE NOTED

CIRCUIT CHARACTERISTICS		
CONTACT POSITION	CIRCUIT DIAGRAM	
OFF		
(ON) 1-3 2-4		

ACTUATOR MAT'L	ACTUATOR COLOR	ACTUATION FORCE	DIM C	DIM B	DIM A	ALCO P/N	TE P/N	
NYLON 6T	YELLOW	520 +/-100 GF	3.09 (.122)	8.50 (.335)	4.90 (.193)	FSM18JAAHX	3-1977120-7	
NYLON 6T	WHITE	260 +/-50 GF	3.09 (.122)	8.50 (.335)	4.90 (.193)	FSM18JAHX	3-1977120-6	
PPS	BLACK	160 +/-50 GF	3.09 (.122)	8.50 (.335)	4.90 (.193)	FSM18JHXX	3-1977120-5	
PPS	BROWN	100 +/-50 GF	3.09 (.122)	8.50 (.335)	4.90 (.193)	FSM18JLHXX	3-1977120-4	
NYLON 6T	YELLOW	520 +/-100 GF	2.80 (.110)	17.00 (.669)	13.40 (.527)	FSM16JAAHX	3-1977120-3	
OBSOLETE	NYLON 6T	WHITE	260 +/-50 GF	2.80 (.110)	17.00 (.669)	13.40 (.527)	FSM16JAHX	3-1977120-2
PPS	BLACK	160 +/-50 GF	2.80 (.110)	17.00 (.669)	13.40 (.527)	FSM16JHXX	3-1977120-1	
PPS	BROWN	100 +/-50 GF	2.80 (.110)	17.00 (.669)	13.40 (.527)	FSM16JLHXX	3-1977120-0	
NYLON 6T	YELLOW	520 +/-100 GF	2.87 (.118)	13.00 (.512)	9.40 (.370)	FSM14JAAHX	2-1977120-9	
NYLON 6T	WHITE	260 +/-50 GF	2.87 (.118)	13.00 (.512)	9.40 (.370)	FSM14JAHX	2-1977120-8	
PPS	BLACK	160 +/-50 GF	2.87 (.118)	13.00 (.512)	9.40 (.370)	FSM14JHXX	2-1977120-7	
PPS	BROWN	100 +/-50 GF	2.87 (.118)	13.00 (.512)	9.40 (.370)	FSM14JLHXX	2-1977120-6	
NYLON 6T	YELLOW	520 +/-100 GF	3.20 (.126)	8.00 (.315)	4.40 (.173)	FSM12JAAHX	2-1977120-5	
PPS	BLACK	260 +/-50 GF	3.20 (.126)	8.00 (.315)	4.40 (.173)	FSM12JABHX	2-1977120-4	
OBSOLETE	NYLON 6T	WHITE	260 +/-50 GF	3.20 (.126)	8.00 (.315)	4.40 (.173)	FSM12JAHX	2-1977120-3
OBSOLETE	PPS	BLACK	160 +/-50 GF	3.20 (.126)	8.00 (.315)	4.40 (.173)	FSM12JHXX	2-1977120-2
OBSOLETE	PPS	BROWN	100 +/-50 GF	3.20 (.126)	8.00 (.315)	4.40 (.173)	FSM12JLHXX	2-1977120-1
NYLON 6T	YELLOW	520 +/-100 GF	3.25 (.128)	7.30 (.287)	3.70 (.146)	FSM10JAAHX	2-1977120-0	
NYLON 6T	WHITE	260 +/-50 GF	3.25 (.128)	7.30 (.287)	3.70 (.146)	FSM10JAHX	1-1977120-9	
OBSOLETE	PPS	BLACK	160 +/-50 GF	3.25 (.128)	7.30 (.287)	3.70 (.146)	FSM10JHXX	1-1977120-8
OBSOLETE	PPS	BROWN	100 +/-50 GF	3.25 (.128)	7.30 (.287)	3.70 (.146)	FSM10JLHXX	1-1977120-7
NYLON 6T	YELLOW	520 +/-100 GF	3.10 (.122)	9.50 (.374)	5.90 (.232)	FSM8JAAHX	1-1977120-6	
NYLON 6T	WHITE	260 +/-50 GF	3.10 (.122)	9.50 (.374)	5.90 (.232)	FSM8JAHX	1-1977120-5	
PPS	BLACK	160 +/-50 GF	3.10 (.122)	9.50 (.374)	5.90 (.232)	FSM8JHXX	1-1977120-4	
PPS	BROWN	100 +/-50 GF	3.10 (.122)	9.50 (.374)	5.90 (.232)	FSM8JLHXX	1-1977120-3	
NYLON 6T	YELLOW	520 +/-100 GF	3.30 (.130)	7.00 (.276)	3.40 (.134)	FSM6JAAHX	1-1977120-2	
NYLON 6T	WHITE	260 +/-50 GF	3.30 (.130)	7.00 (.276)	3.40 (.134)	FSM6JAHX	1-1977120-1	
PPS	BLACK	160 +/-50 GF	3.30 (.130)	7.00 (.276)	3.40 (.134)	FSM6JHXX	1-1977120-0	
PPS	BROWN	100 +/-50 GF	3.30 (.130)	7.00 (.276)	3.40 (.134)	FSM6JLHXX	1977120-9	
NYLON 6T	YELLOW	520 +/-100 GF	N/A	5.00 (.196)	1.40 (.055)	FSM4JAAHX	1977120-8	
NYLON 6T	WHITE	260 +/-50 GF	N/A	5.00 (.196)	1.40 (.055)	FSM4JAHX	1977120-7	
PPS	BLACK	160 +/-50 GF	N/A	5.00 (.196)	1.40 (.055)	FSM4JHXX	1977120-6	
PPS	BROWN	100 +/-50 GF	N/A	5.00 (.196)	1.40 (.055)	FSM4JLHXX	1977120-5	
NYLON 6T	YELLOW	520 +/-100 GF	N/A	4.30 (.169)	0.70 (.028)	FSM2JAAHX	1977120-4	
NYLON 6T	WHITE	260 +/-50 GF	N/A	4.30 (.169)	0.70 (.028)	FSM2JAHX	1977120-3	
PA6T	GRAY	160 +/-50 GF	N/A	4.30 (.169)	0.70 (.028)	FSM2JHXX	1977120-2	
PPS	BROWN	100 +/-50 GF	N/A	4.30 (.169)	0.70 (.028)	FSM2JLHXX	1977120-1	

THIS DRAWING IS A CONTROLLED DOCUMENT.

DIMENSIONS: mm [INCHES]	TOLERANCES UNLESS OTHERWISE SPECIFIED:	DIN M. BINNER 07JUN07	TE Connectivity
0 PLC ± -	1 PLC ± 0.30 [012]	M. SARVER 07JUN07	6MM TACT SWITCH, THRU-HOLE HIGH TEMP
2 PLC ± -	3 PLC ± -	M. SARVER 07JUN07	APPLICATION SPEC
4 PLC ± -	ANGLES ± -		SIZE: 000779
MATERIAL: SEE SPECIFICATIONS	FINISH: -	WEIGHT: 0.000000	DRAWING NO: 00779
		CUSTOMER DRAWING	SCALE: 12:1 SHEET 1 OF 1 REV: B3