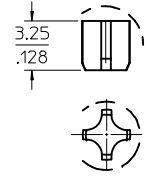
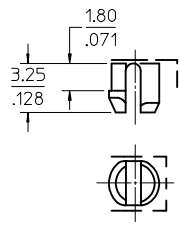
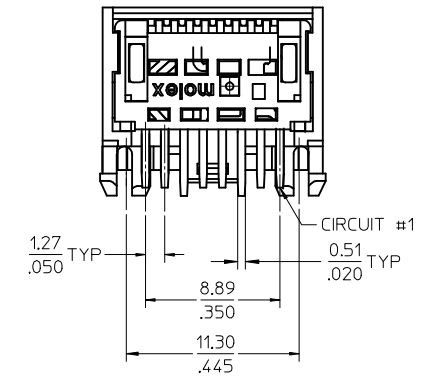
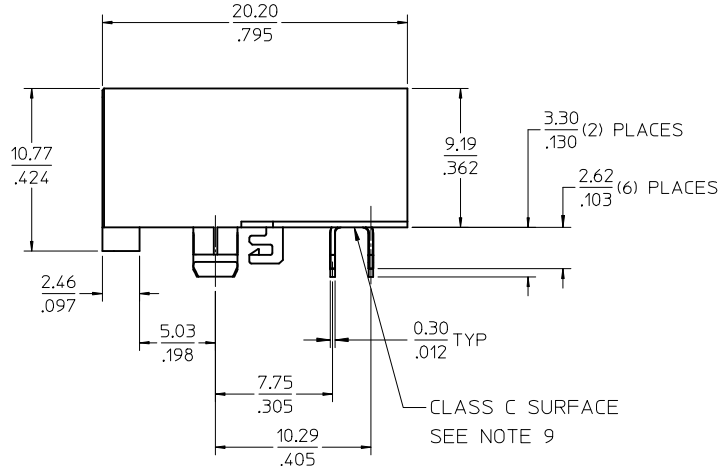
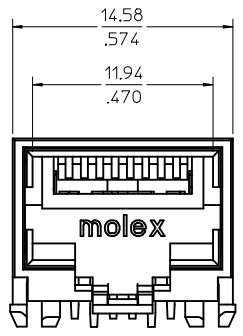
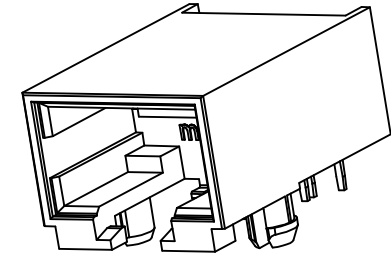


- NOTES:
- 1) MATERIAL:  
HOUSING: NYLON(PA), GLASS FILLED, UL94V-0, COLOR: BLACK  
TERMINALS: PHOSPHOR BRONZE
  - 2) FINISH:  
TERMINALS:  
SELECT GOLD IN CONTACT AREA: 1.27 MICROMETERS / 50 MICROINCHES MIN.,  
SELECT MATTE TIN IN PC TAIL AREA: 2.54 MICROMETERS / 100 MICROINCHES MIN.,  
WITH OVERALL NICKEL UNDERPLATE: 1.27 MICROMETERS / 50 MICROINCHES MIN.
  - 3) PRODUCT SPECIFICATION AND PROCESSING PARAMETERS: PS-44560-003.
  - 4) PACKAGING SPECIFICATION:  
CONNECTOR PACKAGED IN TRAYS PER MOLEX PACKAGING SPECIFICATION  
PK-44661-004.
  - 5) CONFORMS TO FCC REGULATION PART 68.5 FOR MODULAR JACKS.
  - 6) SEE SHEET (4) OF (4) FOR RECOMMENDED PANEL OPENING AND PCB LAYOUT.
  - 7) ASSEMBLY AVAILABLE WITH EITHER SNAP-FIT OR PRESS-FIT PEGS. THIS DRAWING SHOWS SNAP-FIT PEGS.
  - 8) TERMINAL LENGTHS MAY BE DIFFERENT FROM TERMINAL TO TERMINAL.
  - 9) THIS PART CONFORMS TO CLASS B REQUIREMENTS OF COSMETIC SPECIFICATION PS-45499-002 WITH THE EXCEPTION OF THE SURFACE INDICATED, WHICH IS A CLASS C SURFACE.
  - 10) THIS PRODUCT IS COMPLIANT TO RoHS DIRECTIVE 2002/95/EC AND ELV ANNEX II OF DIRECTIVE 2000/53/EC.



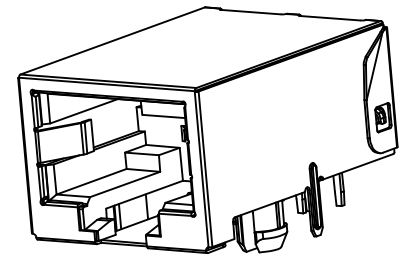
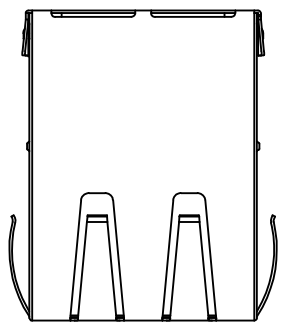
SNAP-FIT PEG

PRESS-FIT PEG

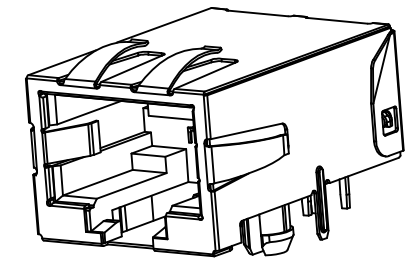
ASSEMBLY MATERIAL NUMBER	PEG STYLE
446610002	SNAP-FIT
446611002	PRESS-FIT

OBSOLETE PN EC NO: UCP2017-0798 DRWN:AFENG02 2016/10/11 CHKD: APPR:KLANG 2016/10/17 REV	QUALITY SYMBOLS	GENERAL TOLERANCES (UNLESS SPECIFIED)	DIMENSION STYLE	SCALE	DESIGN UNITS	THIRD ANGLE PROJECTION
	▽=0	mm INCH	MM/IN	4:1	INCH	
	▽=0	4 PLACES ± --- ± ---	DRAWN BY DATE	TITLE		
	▽=0	3 PLACES ± --- ± .012	MKAMAR 00/04/07	COMPACT SINGLE PORT CATEGORY 5E MODJACK		
		2 PLACES ± 0.30 ± ---	CHECKED BY DATE	molex		
	1 PLACE ± --- ± ---	MKAMAR 00/04/07	DOCUMENT NO. SD-44661-001			
	0 PLACE ± ±	APPROVED BY DATE	SHEET NO. 1 OF 4			
		JROBERTS 00/04/07	THIS DRAWING CONTAINS INFORMATION THAT IS PROPRIETARY TO MOLEX INCORPORATED AND SHOULD NOT BE USED WITHOUT WRITTEN PERMISSION			
		MATERIAL NO.				
		SEE CHART				
		ANGULAR ±1/2°				
		DRAFT WHERE APPLICABLE MUST REMAIN WITHIN DIMENSIONS				

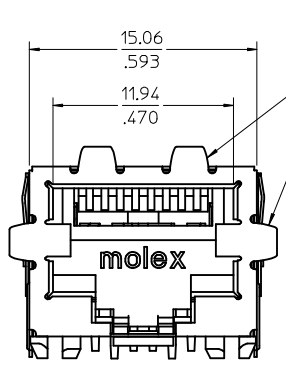
- NOTES:  
 1) MATERIAL:  
 HOUSING: NYLON(PA), GLASS FILLED, UL94V-0, COLOR: BLACK  
 TERMINALS: PHOSPHOR BRONZE  
 SHIELD: BRASS, 0.18 / .007 THICK  
 2) FINISH:  
 TERMINALS:  
 SELECT GOLD IN CONTACT AREA: 127 MICROMETERS / 50 MICROINCHES MIN..  
 SELECT MATTE TIN IN PC TAIL AREA: 254 MICROMETERS / 100 MICROINCHES MIN..  
 WITH OVERALL NICKEL UNDERPLATE: 127 MICROMETERS / 50 MICROINCHES MIN..  
 SHIELD:  
 2.54 MICROMETERS / 100 MICROINCHES NICKEL OVER 1.27 MICROMETERS / 50 MICROINCHES COPPER UNDERPLATE; PCB GROUND TABS DIPPED IN TIN  
 3) PRODUCT SPECIFICATION AND PROCESSING PARAMETERS: PS-44560-003.  
 4) PACKAGING SPECIFICATION:  
 CONNECTOR PACKAGED IN TRAYS PER MOLEX PACKAGING SPECIFICATION PK-44661-004.  
 5) CONFORMS TO FCC REGULATION PART 68.5 FOR MODULAR JACKS.  
 6) ENHANCED GROUND TABS SHIELD (OPTION -B-) IS SHOWN IN THIS DRAWING.  
 7) SEE SHEET (4) OF (4) FOR RECOMMENDED PANEL OPENING AND PCB LAYOUT.  
 8) ASSEMBLY AVAILABLE WITH EITHER SNAP-FIT OR PRESS-FIT PEGS. THIS DRAWING SHOWS SNAP-FIT PEGS.  
 9) TERMINAL LENGTHS MAY BE DIFFERENT FROM TERMINAL TO TERMINAL.  
 10) THIS PART CONFORMS TO CLASS B REQUIREMENTS OF COSMETIC SPECIFICATION PS-45499-002 WITH THE EXCEPTION OF THE SURFACE INDICATED, WHICH IS A CLASS C SURFACE.  
 11) THIS PRODUCT IS COMPLIANT TO RoHS DIRECTIVE 2002/95/EC AND ELV ANNEX II OF DIRECTIVE 2000/53/EC.



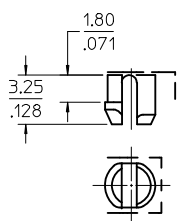
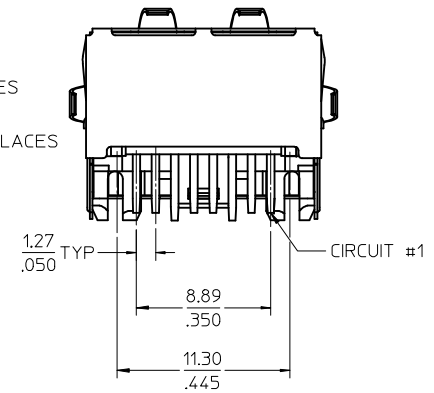
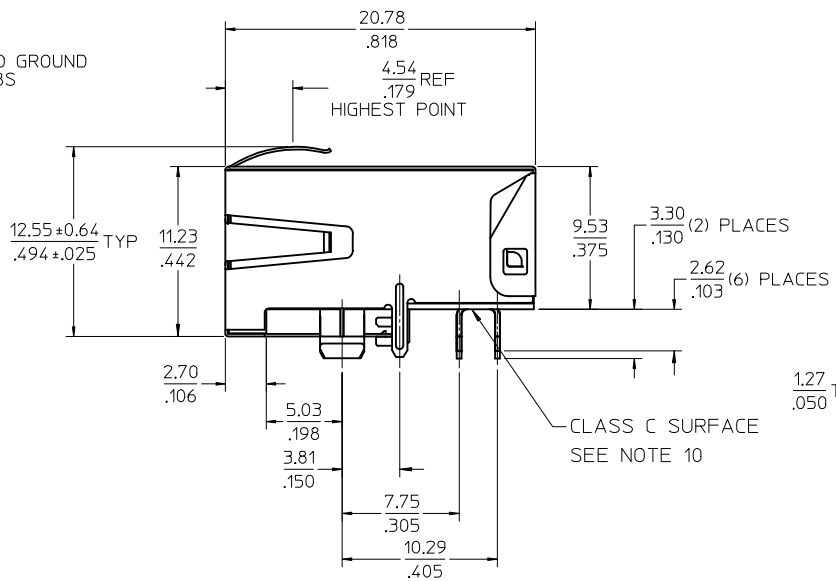
SHIELDING OPTION -A-  
STANDARD SHIELD



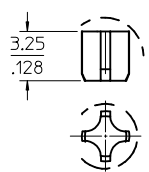
SHIELDING OPTION -B-  
ENHANCED GROUND TABS



ENHANCED GROUND TABS



SNAP-FIT PEG



PRESS-FIT PEG

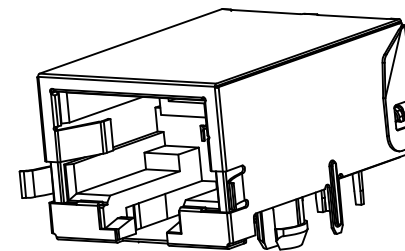
ASSEMBLY MATERIAL NUMBER	PEG STYLE	SHIELDING OPTION
446610001	SNAP-FIT	A
446610011	SNAP-FIT	B
446611001	PRESS-FIT	A
446611011	PRESS-FIT	B

SEE SHEET 1	QUALITY SYMBOLS
EC NO: UCP2017-0798	▽=0
DRW: AFEENG02 2016/10/11	▽=0
CHKD: APPR: KLANG 2016/10/17	▽=0
REV: G5	

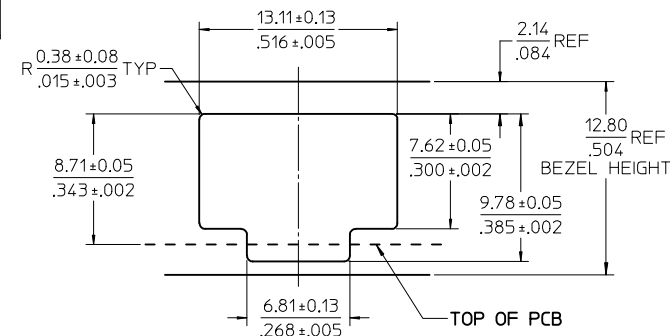
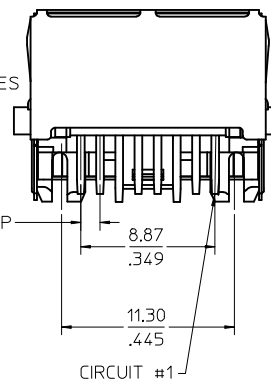
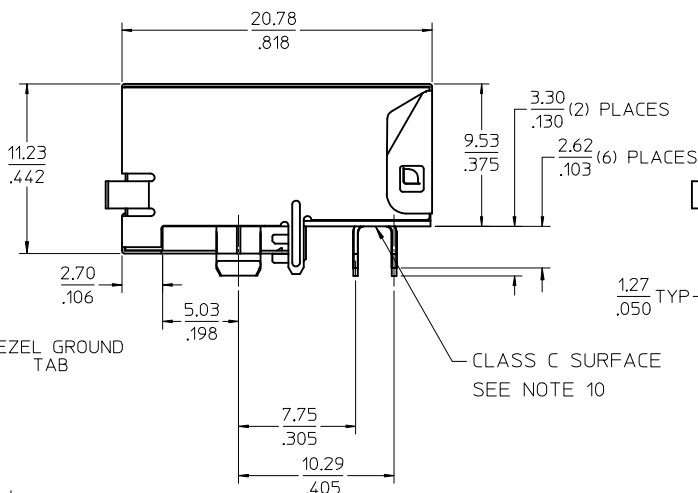
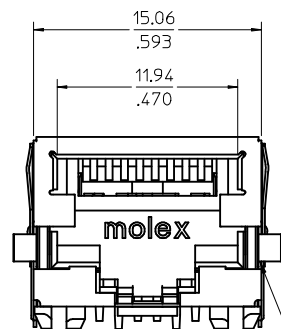
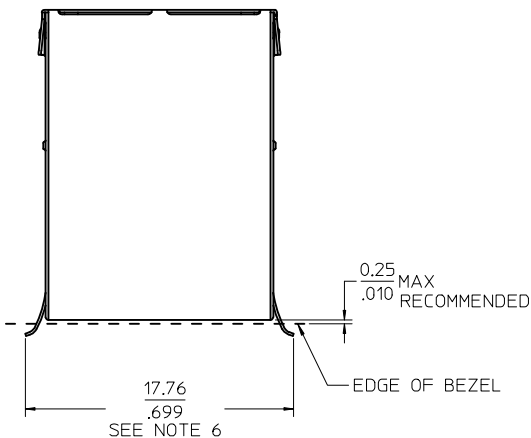
GENERAL TOLERANCES (UNLESS SPECIFIED)	
4 PLACES ± ---	± ---
3 PLACES ± ---	± .012
2 PLACES ± 0.30	± ---
1 PLACE ± ---	± ---
0 PLACE ±	±
ANGULAR ±1/2°	
DRAFT WHERE APPLICABLE MUST REMAIN WITHIN DIMENSIONS	

DIMENSION STYLE		SCALE		DESIGN UNITS		THIRD ANGLE PROJECTION	
MM/IN		4:1		INCH			
DRAWN BY	DATE	COMPACT SINGLE PORT CATEGORY 5E MODJACK  <b>molex</b>				SHEET NO. 2 OF 4	
CHECKED BY	DATE						
APPROVED BY	DATE						
MATERIAL NO.		DOCUMENT NO.		SEE CHART			
SD-44661-001		SD-44661-001		THIS DRAWING CONTAINS INFORMATION THAT IS PROPRIETARY TO MOLEX INCORPORATED AND SHOULD NOT BE USED WITHOUT WRITTEN PERMISSION			

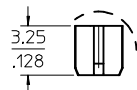
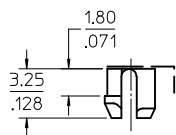
- NOTES:  
 1) MATERIAL:  
 HOUSING: NYLON (PA), GLASS FILLED, UL94V-0, COLOR: BLACK  
 TERMINALS: PHOSPHOR BRONZE  
 SHIELD: BRASS, 0.18 / .007 THICK  
 2) FINISH:  
 TERMINALS:  
 SELECT GOLD IN CONTACT AREA: 1.27 MICROMETERS / 50 MICROINCHES MIN.  
 SELECT MATTE TIN IN PC TAIL AREA: 2.54 MICROMETERS / 100 MICROINCHES MIN.,  
 WITH OVERALL NICKEL UNDERPLATE: 1.27 MICROMETERS / 50 MICROINCHES MIN.  
 SHIELD:  
 2.54 MICROMETERS / 100 MICROINCHES NICKEL OVER 1.27 MICROMETERS /  
 50 MICROINCHES COPPER UNDERPLATE; PCB GROUND TABS DIPPED IN TIN.  
 3) PRODUCT SPECIFICATION AND PROCESSING PARAMETERS: PS-44560-003.  
 4) PACKAGING SPECIFICATION:  
 CONNECTOR PACKAGED IN TRAYS PER MOLEX PACKAGING  
 SPECIFICATION PK-44661-004.  
 5) CONFORMS TO FCC REGULATION PART 68.5 FOR MODULAR JACKS.  
 6) THIS DIMENSION HAS A MAXIMUM OF 20.45/0.805 WHEN THE JACK IS INSTALLED  
 BEHIND THE BEZEL.  
 7) SEE SHEET (4) OF (4) FOR PCB LAYOUT.  
 8) ASSEMBLY AVAILABLE WITH EITHER SNAP-FIT OR PRESS-FIT PEGS. THIS  
 DRAWING SHOWS SNAP-FIT PEGS.  
 9) TERMINAL LENGTHS MAY BE DIFFERENT FROM TERMINAL TO TERMINAL.  
 10) THIS PART CONFORMS TO CLASS B REQUIREMENTS OF COSMETIC  
 SPECIFICATION PS-45499-002 WITH THE EXCEPTION OF THE SURFACE  
 INDICATED, WHICH IS A CLASS C SURFACE.  
 11) THIS PRODUCT IS COMPLIANT TO ROHS DIRECTIVE 2002/95/EC AND ELV  
 ANNEX II OF DIRECTIVE 2000/53/EC.



SHIELDING OPTION -C-  
 BEZEL GROUND TABS



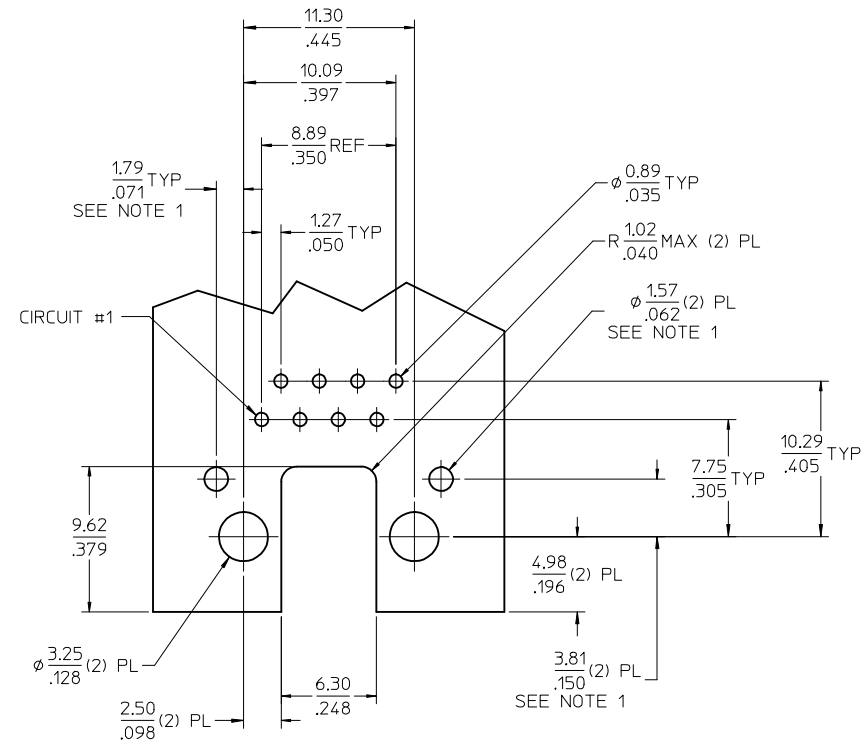
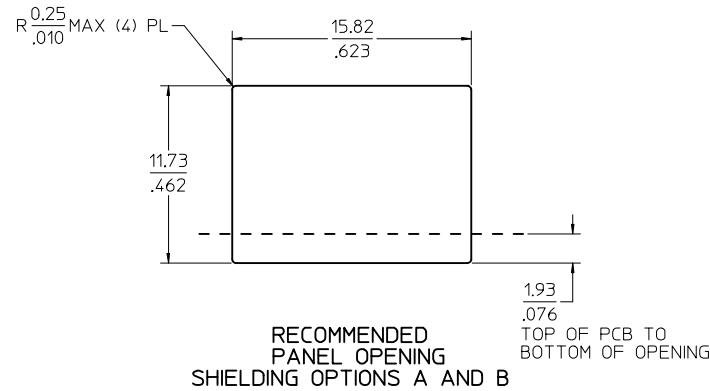
RECOMMENDED  
 PANEL OPENING  
 FOR PMC BEZEL ONLY



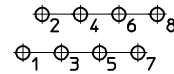
SNAP-FIT PEG      PRESS-FIT PEG

*X*=NOT TOOLED	ASSEMBLY MATERIAL NUMBER	PEG STYLE
	446610021	SNAP-FIT
X	446611021	PRESS-FIT

SEE SHEET 1 EC NO: UCP2017-0798 IDRW:WAFENG02 2016/10/11 CHKD: APPR:KLANG 2016/10/17 REV: G5	QUALITY SYMBOLS	GENERAL TOLERANCES (UNLESS SPECIFIED)	DIMENSION STYLE	SCALE	DESIGN UNITS	THIRD ANGLE PROJECTION
	▽=0	mm      INCH	MM/IN	4:1	INCH	
	▽=0	4 PLACES ± --- ± ---	DRAWN BY	DATE	TITLE	COMPACT SINGLE PORT CATEGORY 5E MODJACK
	▽=0	3 PLACES ± --- ± .012	MKAMAR	00/04/07	4:1	
▽=0	2 PLACES ± 0.30 ± ---	CHECKED BY	DATE			
	1 PLACE ± --- ± ---	MKAMAR	00/04/07			
		0 PLACE ± --- ± ---	APPROVED BY	DATE		
			JROBERTS	00/04/07		
		ANGULAR ±1/2°	MATERIAL NO.	DOCUMENT NO.		
		DRAFT WHERE APPLICABLE MUST REMAIN WITHIN DIMENSIONS	SEE CHART	SD-44661-001		
			SIZE			SHEET NO. 3 OF 4
			C	THIS DRAWING CONTAINS INFORMATION THAT IS PROPRIETARY TO MOLEX INCORPORATED AND SHOULD NOT BE USED WITHOUT WRITTEN PERMISSION		



PCB LAYOUT : COMPONENT SIDE  
RECOMMENDED PCB THICKNESS (SNAP-FIT PEG) : 1.57/.062  
TOLERANCE  $\pm 0.076/0.003$  UNLESS OTHERWISE SPECIFIED



TYPICAL PC TERMINAL HOLE LAYOUT

NOTES:

1. DIMENSIONS REFER TO ASSEMBLIES WITH SHIELDING OPTION

SEE SHEET 1 EC NO: UCP2017-0798 DRAWN: AFENG02 2016/10/11 CHKD: APPR: KLANG 2016/10/17	QUALITY SYMBOLS ▽=0 ▽=0 ▽=0	GENERAL TOLERANCES (UNLESS SPECIFIED)		DIMENSION STYLE MM/IN		SCALE 4:1	DESIGN UNITS INCH	THIRD ANGLE PROJECTION	
		mm	INCH	DRAWN BY MKAMAR	DATE 00/04/07	COMPACT SINGLE PORT CATEGORY 5E MODJACK			
		4 PLACES ± ---	± ---	CHECKED BY MKAMAR	DATE 00/04/07				
		3 PLACES ± ---	± .012	APPROVED BY JROBERTS	DATE 00/04/07	molex			
2 PLACES ± 0.30	± ---	MATERIAL NO.	DOCUMENT NO.	SHEET NO. 4 OF 4					
1 PLACE ± ---	± ---	ANGULAR $\pm 1/2^\circ$		SEE CHART		SD-44661-001			
0 PLACE ±	±	DRAFT WHERE APPLICABLE MUST REMAIN WITHIN DIMENSIONS		THIS DRAWING CONTAINS INFORMATION THAT IS PROPRIETARY TO MOLEX INCORPORATED AND SHOULD NOT BE USED WITHOUT WRITTEN PERMISSION					