

# Customer Information Sheet

DRAWING No.: G125-964XX00

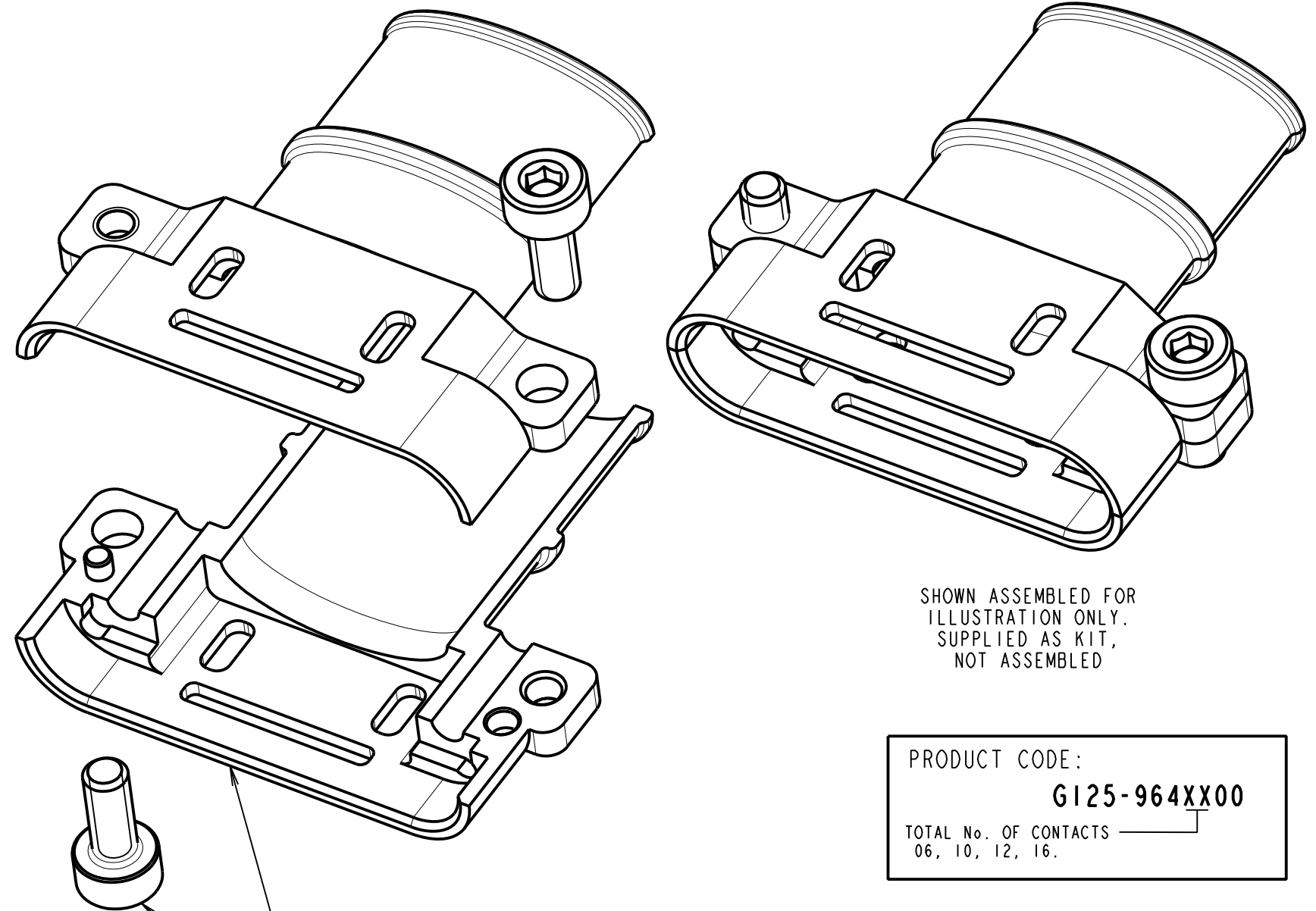
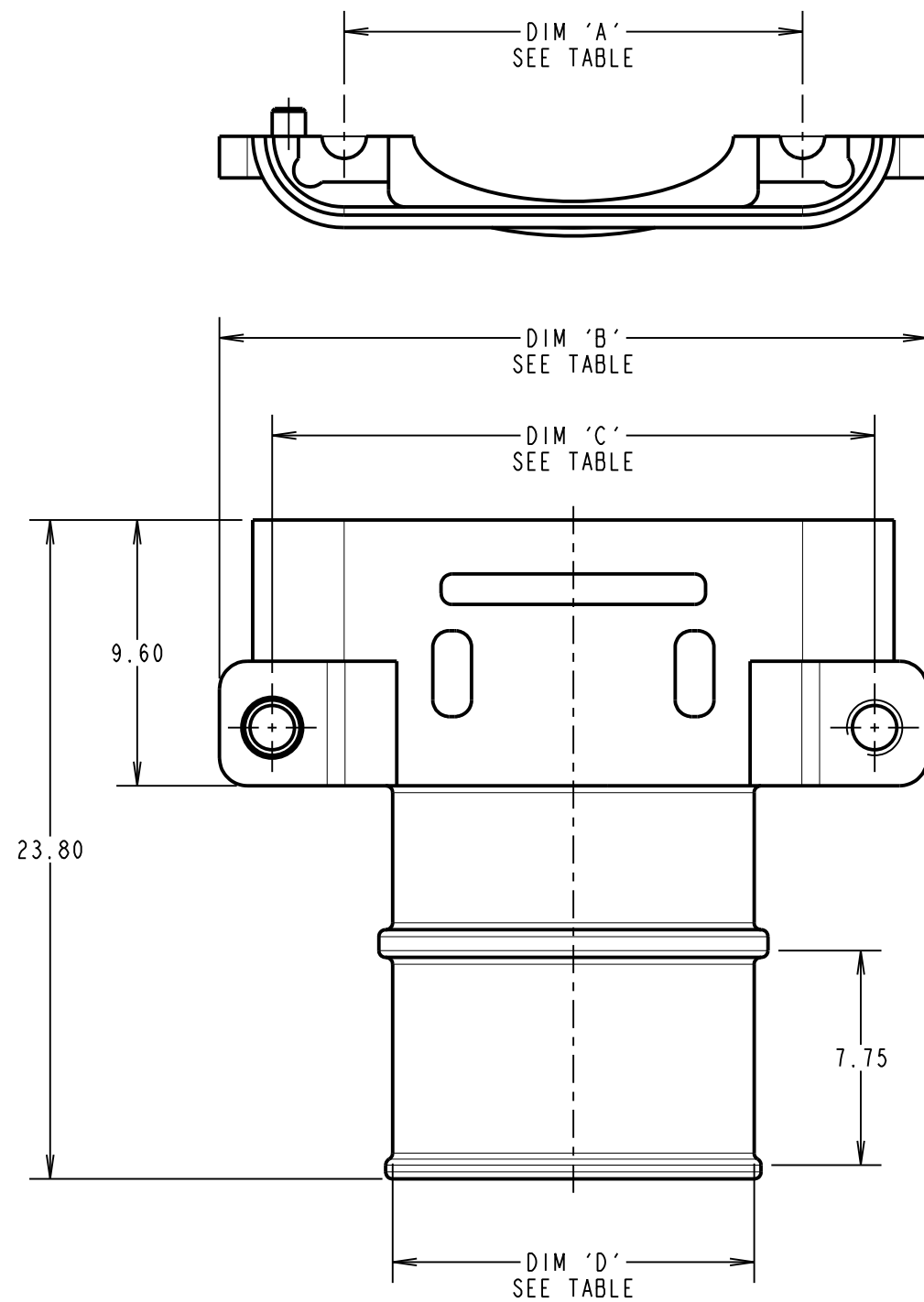
IF IN DOUBT - ASK

©

NOT TO SCALE

THIRD ANGLE PROJECTION

ALL DIMENSIONS IN mm



SHOWN ASSEMBLED FOR ILLUSTRATION ONLY. SUPPLIED AS KIT, NOT ASSEMBLED

PRODUCT CODE:  
**G125-964XX00**  
TOTAL No. OF CONTACTS \_\_\_\_\_  
06, 10, 12, 16.

M2 SOCKET CAP HOOD RETAINING SCREW (2-OFF)

PAIR OF METAL SHELLS WITH TIE-DEX MICRO BAND (1-OFF)

**SPECIFICATION:**

MATERIAL:  
HOOD SHELL = ALUMINIUM  
SCREWS AND TIE-BAND = STAINLESS STEEL  
FINISH:  
HOOD SHELL = NICKEL

**NOTES:**

- SUPPLIED AS A KIT OF PARTS TO BE ASSEMBLED TO G125-324XX96M2 SERIES OF CONNECTORS.
- SUPPLIED WITH 1 x BAND-IT A31188 TIE-DEX MICRO BAND (NOT SHOWN). SUITABLE FOR USE WITH A30199 MICRO TIE-DEX II TOOL OR A59099 TOOL KIT.
- FITTING TIE-BAND IS OPTIONAL.

PART NUMBER	DIM 'A'	DIM 'B'	DIM 'C'	DIM 'D'
G125-9640600	10.30	19.30	15.50	6.80
G125-9641000	12.80	21.80	18.00	9.30
G125-9641200	14.05	23.05	19.25	10.55
G125-9641600	16.55	25.55	21.75	13.05

MGP	B	16.12.16	20316
NAME	ISS.	DATE	C/NOTE
APPROVED: MGP			
CHECKED: MS			
DRAWN: MARK G PLESTED			
CUSTOMER REF.:			
ASSEMBLY DRG:			

**HARWIN**  
www.harwin.com  
technical@harwin.com

THIS DRAWING AND ANY INFORMATION OR DESCRIPTIVE MATTER SET OUT HEREON ARE CONFIDENTIAL AND COPYRIGHT PROPERTY OF THE HARWIN GROUP AND MUST NOT BE DISCLOSED, LOANED, COPIED OR USED FOR MANUFACTURING, TENDERING OR FOR ANY OTHER PURPOSE WITHOUT THEIR WRITTEN PERMISSION.

**TOLERANCES**  
X. = ±1mm  
X.X = ±0.50mm  
X.XX = ±0.10mm  
X.XXX = ±0.01mm  
ANGLES = ±5°  
UNLESS STATED

**MATERIAL:**  
SEE ABOVE  
**FINISH:** SEE ABOVE  
**S/AREA:** mm<sup>2</sup>

**TITLE:**  
G125 J-TEK SERIES HOOD KIT  
**DRAWING NUMBER:**  
G125-964XX00  
SHT 2 OF 2