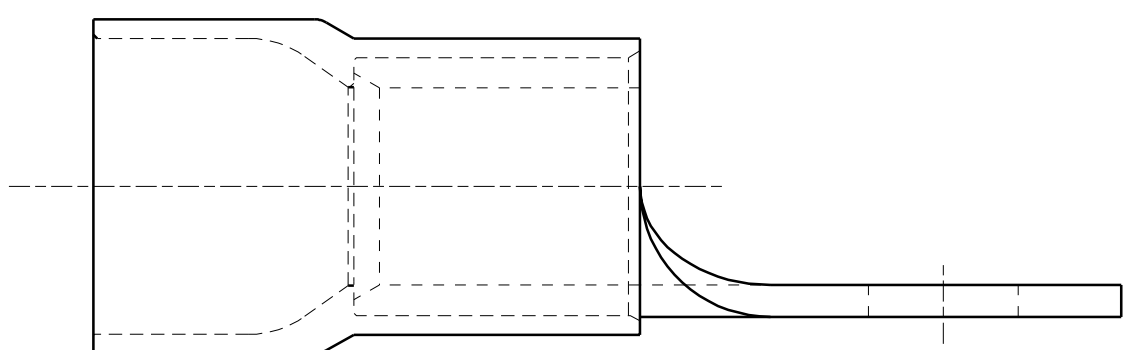
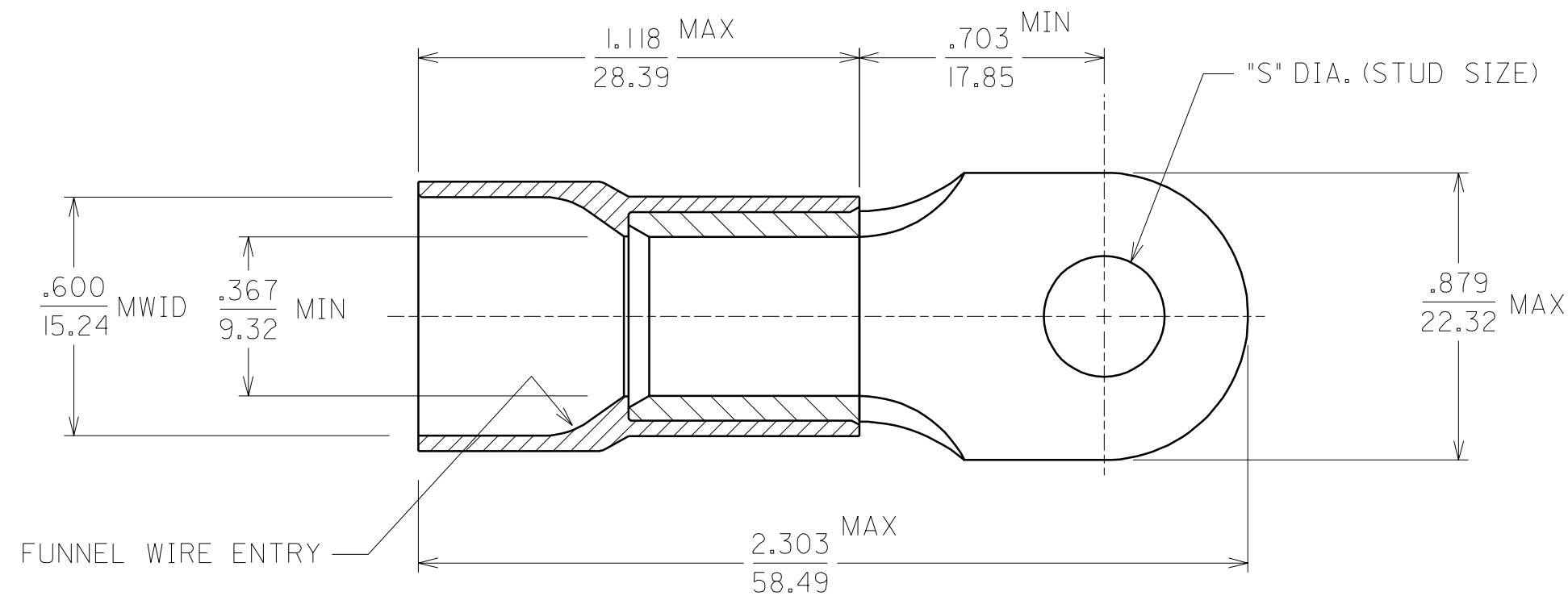


MATERIAL NUMBER	ALTERNATE NUMBER	STUD SIZES	"S"
190670090	G-974-12	1/2	.515
190670091	G-974-14	1/4	.265
190670092	G-974-38	3/8	.390
190670093	G-974-56	5/16	.328
190670094	G-974-76	7/16	.453
190670130	G-974-58	5/8	.656



NOTES:  
 1. MATERIAL: COPPER .075 THICK  
 PLATING: ELECTROPLATE TIN  
 2. INSULATION: RED NYLON 6/6  
 3. MWID=MAXIMUM WIRE INSULATION DIA.  
 4. ALL DIMENSIONS IN INCHES/(MM).

CUSTOMER DRAWING

A	NEW CUST DGN ETC2001-0251 01/02/27 EDB
LTR.	REVISIONS

DIMENSIONS SHOWN (METRIC) INCH		REVISE ONLY ON CAD SYSTEM																			
UNLESS OTHERWISE SPECIFIED TOLERANCES: ANGULAR ± 1/2°		TITLE NYLAKRIMP FUNNEL ENTRY RING TONGUE TERMINAL #2 AWG																			
<table border="1"> <thead> <tr> <th></th> <th>INCH</th> <th>METRIC</th> </tr> </thead> <tbody> <tr> <td>3 PLACE</td> <td>± .005</td> <td>± ---</td> </tr> <tr> <td>2 PLACE</td> <td>± .01</td> <td>± 0.13</td> </tr> <tr> <td>1 PLACE</td> <td>± ---</td> <td>± 0.25</td> </tr> </tbody> </table>			INCH	METRIC	3 PLACE	± .005	± ---	2 PLACE	± .01	± 0.13	1 PLACE	± ---	± 0.25	<table border="1"> <tr> <td>molex ETC INC.</td> <td>SHEET NO.</td> <td>DATE</td> </tr> <tr> <td>PINELLAS PARK, FLA. 33781 U.S.A.</td> <td>1 OF 1</td> <td>01/02/02</td> </tr> </table>		molex ETC INC.	SHEET NO.	DATE	PINELLAS PARK, FLA. 33781 U.S.A.	1 OF 1	01/02/02
	INCH	METRIC																			
3 PLACE	± .005	± ---																			
2 PLACE	± .01	± 0.13																			
1 PLACE	± ---	± 0.25																			
molex ETC INC.	SHEET NO.	DATE																			
PINELLAS PARK, FLA. 33781 U.S.A.	1 OF 1	01/02/02																			
DRAFT WHERE APPLICABLE MUST REMAIN WITHIN DIMENSIONS		PART NO. SEE CHART																			
<table border="1"> <tr> <td>DRWG. BY</td> <td>EDB</td> <td>CHK'D. BY</td> <td>HEB</td> </tr> <tr> <td>APP'D. BY</td> <td>RWD</td> <td>SCALE</td> <td>NO:NE</td> </tr> </table>		DRWG. BY	EDB	CHK'D. BY	HEB	APP'D. BY	RWD	SCALE	NO:NE	<table border="1"> <tr> <td>DRWG. NO.</td> <td>SD-19067-004</td> </tr> <tr> <td>FILE NAME</td> <td>SD19067004 DGN</td> </tr> <tr> <td>DIV.</td> <td>ET</td> </tr> <tr> <td>SIZE</td> <td>B</td> </tr> </table>		DRWG. NO.	SD-19067-004	FILE NAME	SD19067004 DGN	DIV.	ET	SIZE	B		
DRWG. BY	EDB	CHK'D. BY	HEB																		
APP'D. BY	RWD	SCALE	NO:NE																		
DRWG. NO.	SD-19067-004																				
FILE NAME	SD19067004 DGN																				
DIV.	ET																				
SIZE	B																				
THIS DRAWING CONTAINS INFORMATION THAT IS PROPRIETARY TO MOLEX-ETC INC. AND SHOULD NOT BE USED WITHOUT WRITTEN PERMISSION.																					