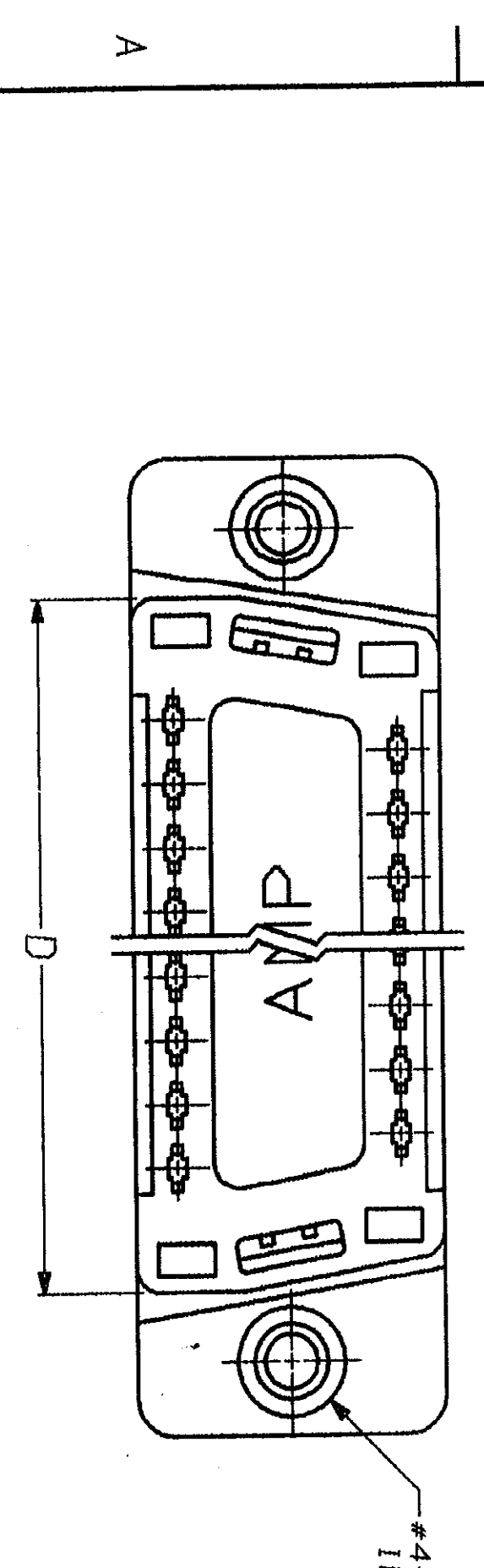
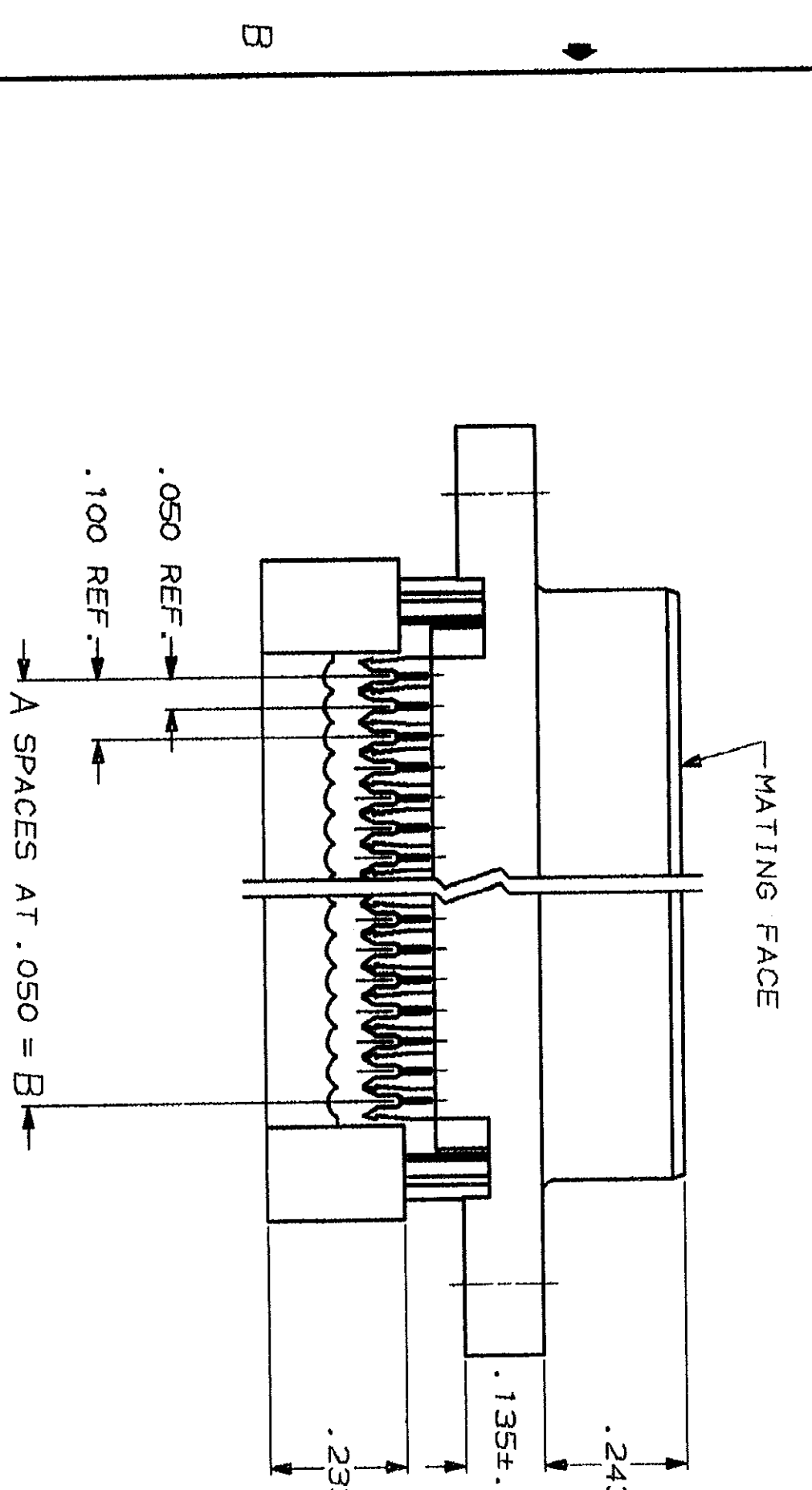
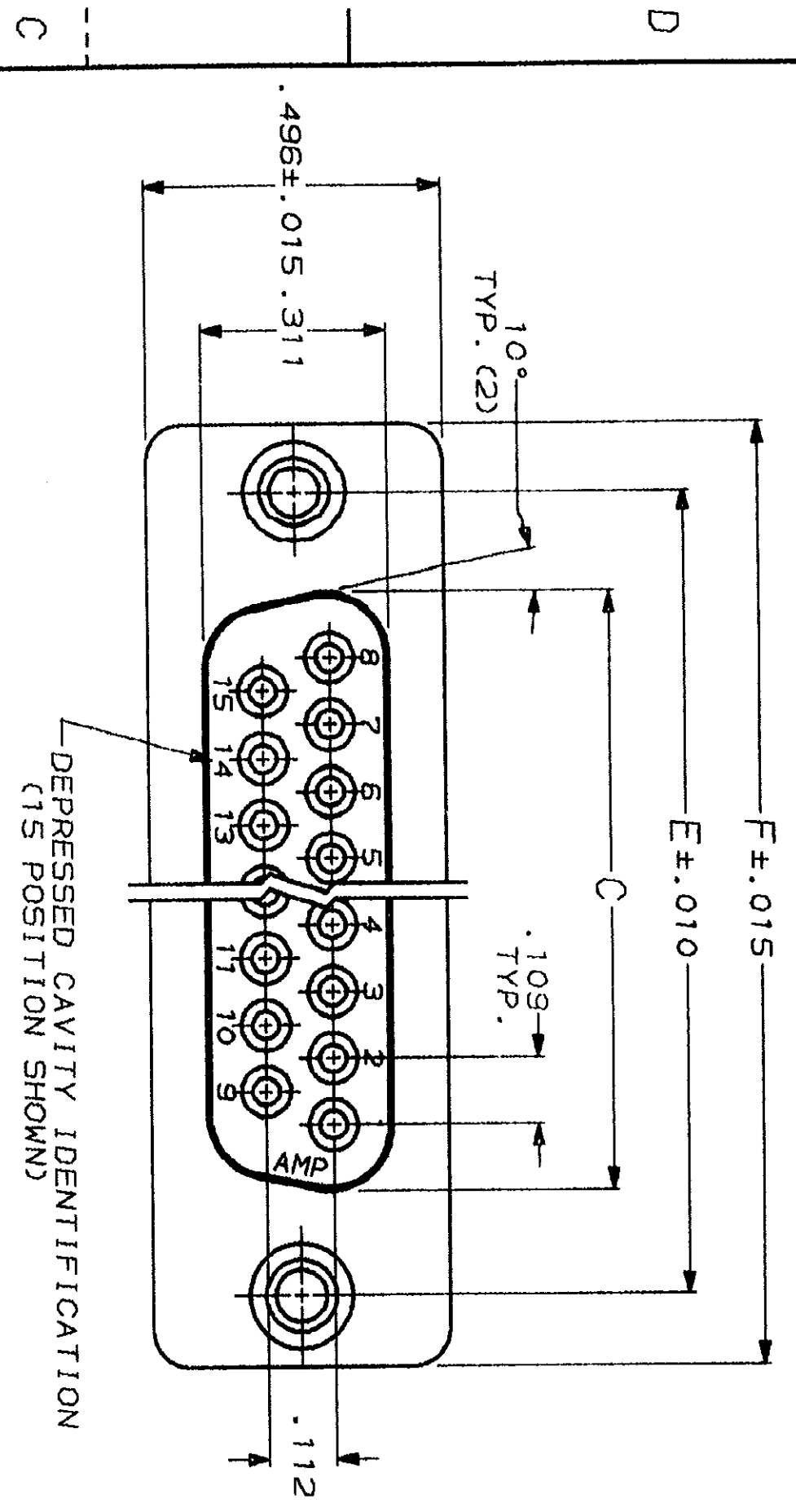


DRAWING MADE IN THIRD ANGLE PROJECTION
 THIS DRAWING IS UNPUBLISHED. RELEASED FOR PUBLICATION
 © COPYRIGHT 19 BY AMP INCORPORATED, HARRISBURG, PA. ALL INTERNATIONAL RIGHTS RESERVED. AMP PRODUCTS MAY BE COVERED BY U.S. AND FOREIGN PATENTS AND/OR PATENTS PENDING.



3

2

1

REVOLUTIONS		DESCRIPTION	DATE	APPROVED
P	F	ZONE LTR		
		01 REV PER ECN 0520	J.P.	10-18-82
		A REVISED ECN-CF1457		10-20-82
		B REV PER ECN BD2622		2-18-83
		C REV PER ECN BD4356		08/18/90

- CONNECTORS COMPLY WITH AMP SPEC. 108-40, 012 AND MATE WITH ANY SAME NUMBER POSITION PLUG CONNECTOR IN AMPLIMITE SERIES.
- CONNECTOR DESIGNED FOR 28 AND 26 AWG STRANDED AND SOLID CONDUCTOR RIBBON CABLE ON .050φ.
- DIMENSION APPLIES TO TERMINATED CONNECTOR.
- INSERTS WILL WITHSTAND 6 IN. LBS. TORQUE AND 50 LBS. PULL OUT FORCE FROM MATING FACE SIDE.
- MOLDED PARTS: FLAME RETARDANT 94V-0 RATED THERMOPLASTIC; COLOR: BLACK.
- PHOS. BRONZE PER QQ-B-750.
- BRASS PER MIL-C-50.
- GOLD PLATING PER MIL-G-45204, BRIGHT TIN PLATING PER MIL-T-10727, TIN LEAD PLATING PER MIL-P-81728, NICKEL PLATING PER QQ-N-290.
- PLATED WITH .000030 GOLD IN LOCALIZED GOLD PLATE AREA, .000100-.000200 BRIGHT TIN LEAD ON TERMINATION END, ALL OVER .000050 NICKEL ON ENTIRE CONTACT.
- ADVANCED PART NUMBER, NOT PRODUCTION TOOLED.

NO.	DESCRIPTION	QTY	UNIT	PART NO.				
1	1.764	1.526	1.287	1.140	.900	18	19	747051-5
2	1.216	.984	.759	.643	.400	8	9	747051-4
3	1.541	1.312	1.087	.971	.700	14	15	747051-3
4	2.090	1.852	1.623	1.511	1.200	24	25	747051-2
5	2.732	2.500	2.275	2.159	1.800	36	37	747051-1

UNLESS OTHERWISE SPECIFIED DIMENSIONS ARE IN INCHES. TOLERANCES ON DECIMALS ± .005 ANGLES ± 2°

MATERIAL: MOLDED PARTS: A FINISH CONTACTS: UNPLATED INSERTS: A

CONTRACT NO. DR J. GERACE 11-1-82

CHK J. GERACE 11-1-82

APPD R. LEGGETT 11-5-82

APPD E. GILL 11-8-82

DESIGN APPD OTHER APPD

AMP INCORPORATED Harrisburg, Pa.

RECEPTACLE ASSEMBLY, LOW PROFILE HDF, W/ PREASSEMBLED COVER & THREADED INSERTS

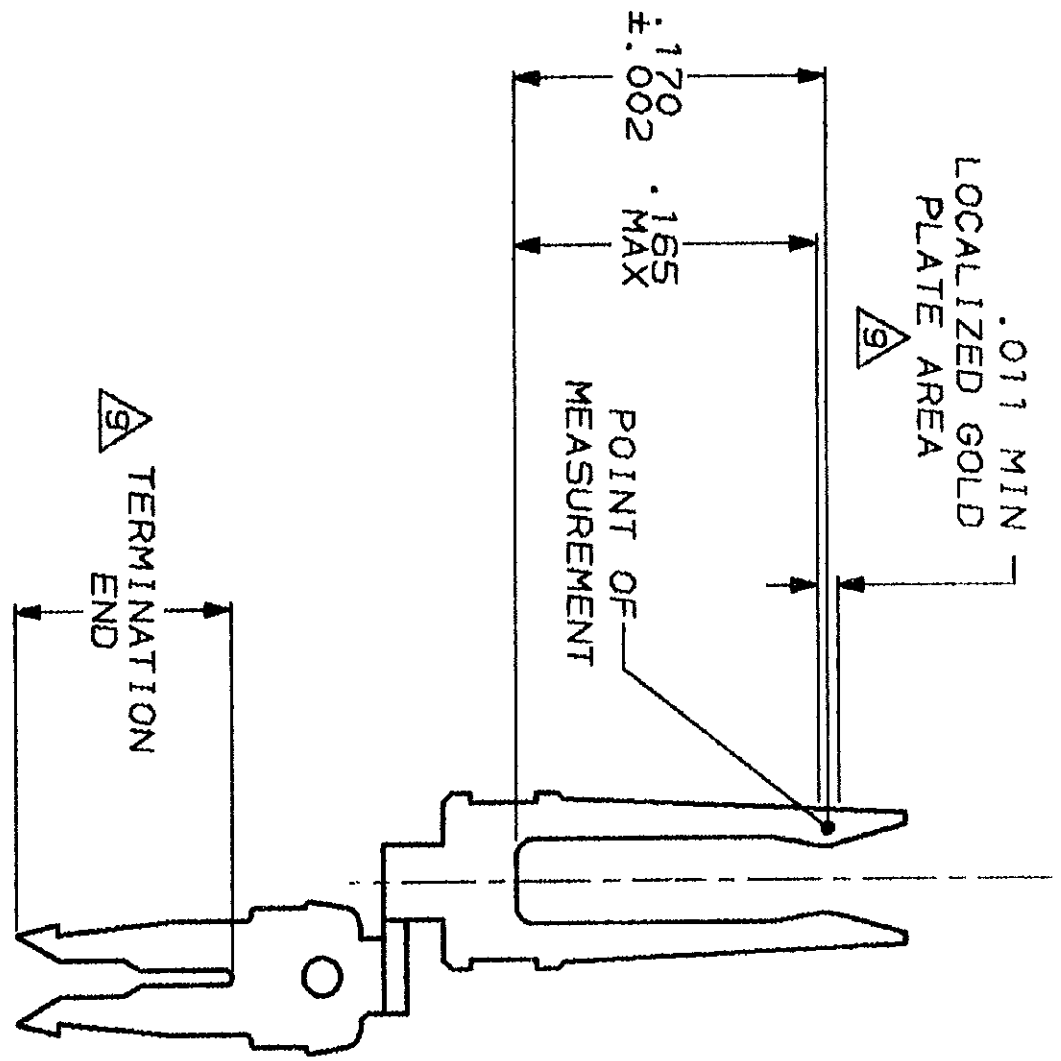
SIZE C FSCH NO 00779 DRAWING NO 747051

SCALE NTS SHEET 1 OF 2

CUSTOMER DRAWING

DRAWING MADE IN THIRD ANGLE PROJECTION
 THIS DRAWING IS UNPUBLISHED. RELEASED FOR PUBLICATION
 COPYRIGHT 1987 BY AMP INCORPORATED. ALL INTERNATIONAL RIGHTS RESERVED.

MOD	LOC	Q137	REVISIONS	
20	BD	39	P	F
			ZONE	LTR
			C	SEE SHEET 1
			DATE	APPD



CONTACT DETAIL
 SCALE 10:1

DO NOT SCALE PRINT. UNLESS SPECIFIED DIMENSIONS IN INCHES TOLERANCES ON:		DR 11-3-87 M. EPLER	NAME RECEPTACLE ASSEMBLY, LOW PROFILE HDF, W/ PREASSEMBLED COVER & THREADED INSERTS	
2 PLC DEC #	-	CHK 11-3-87 W. G. LENKER	AMP	AMP INCORPORATED Harrisburg, Pa. 17105
3 PLC DEC #	.005	APPD -	SIZE	FSCH NO
ANGLES	± 2°	PRODUCT SPEC	C	00779
MATERIAL	-	APPLICATION SPEC	SCALE	NTS
FINISH	-	WEIGHT		
			DRAWING NO	747051
			SHEET	2 OF 2

CUSTOMER DRAWING

AMP 1471-B REV 3-87
 19 SEP 1990 14:24:40 AMP7098

747051