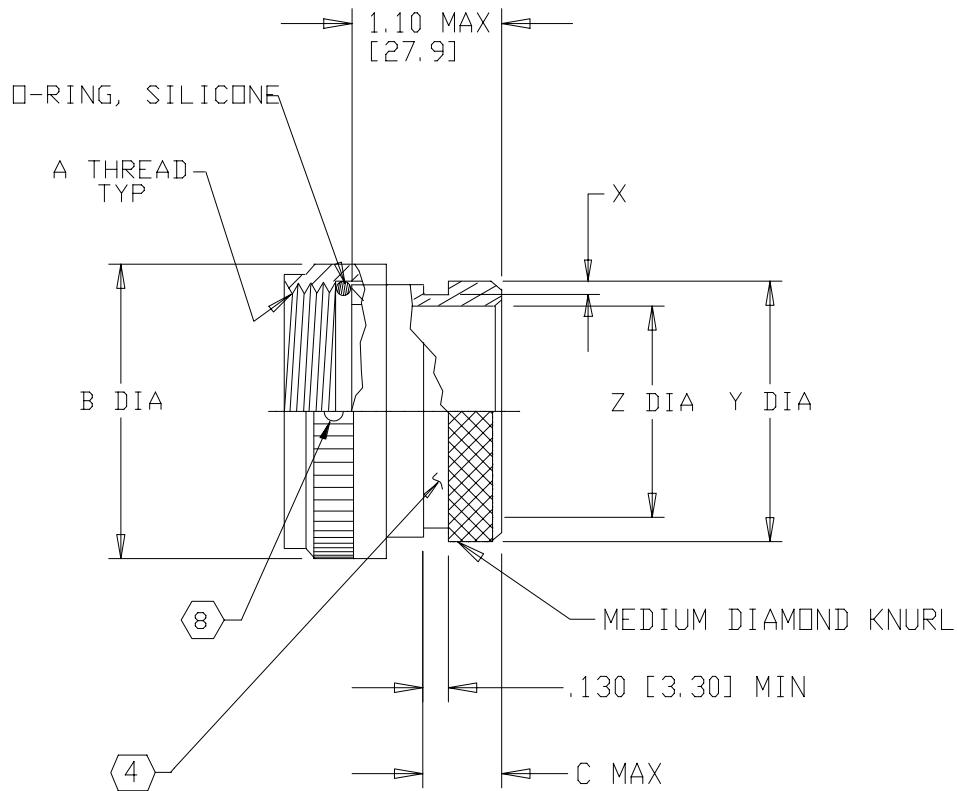


REVISIONS			
LTR	DESCRIPTION	DATE	APPROVED
H	REVISED PER ECN AD93111		



- NOTES:
- THIS PRODUCT IS DESIGNED TO TERMINATE A HEAT SHRINKABLE LIPPED BOOT TO A CONNECTOR.
 - FOR ADDITIONAL DIMENSIONS, ORDERING INFORMATION AND MODIFICATIONS, SEE CH00-0250-004.
 - ADAPTER TO BE PERMANENTLY MARKED WITH CODE IDENT. NO. AND PART NO. (E.G.: 06090-218M612-19B).
 - KNURL INSIDE BOOT GROOVE MAY BE SUPPLIED AT MANUFACTURE'S OPTION.
 - ALL THREAD SIZES FOR ORDER APPLY.
 - ADDITIONAL PIECE(S) SUPPLIED WHEN CONNECTOR MFR IS UNKNOWN (D IN TABLE II).
 - ADAPTER MATES TO MIL-C-5015, CLASS A, E & R, MS3100, MS3101 & MS3106. RESILIENT INSERT, SOLDER TYPE AND BENDIX 10-214, CANNON CA-RX COMMERCIAL CRIMP TYPE (LESS ENDBELL).
 - ANTI-ROTATIONAL SET SCREW, 3 THREADED HOLES $120^\circ \pm 5^\circ$ APART, SINGLE MATING SET SCREW SUPPLIED: AN565SC4H2. NOT REQUIRED FOR TYPE II ADAPTERS.

If this document is printed it becomes uncontrolled.
Check for the latest revision.

SPECIFICATION CONTROL DRAWING

UNLESS OTHERWISE SPECIFIED DIMENSIONS ARE IN INCHES. METRIC DIMENSIONS ARE IN BRACKETS. DECIMALS .XXX ± — [mm] .XX ± — [mm] .X ± — [mm] ANGLES .X ± —	DRAWN E. GOLDY	DATE 05-05-93		Tyco Electronics Corporation 300 Constitution Drive Menlo Park, CA. 94025 U.S.A.		
	CHECKED	DATE				
	APPROVED W. C. GAY	DATE 05-19-93	TITLE ADAPTER, SPIN COUPLING CODE 18			
	APPROVED	DATE	CAD NAME \ACAD12\218M6XX	SIZE A	CODE IDENT. NO. 06090	DWG. NO. 218M6XX
THIRD ANGLE PROJECTION 	DO NOT SCALE THIS DWG		SHEET 1 OF 3			

TABLE I

ORDER NO.	SHELL SIZE ⑦	MFR CODE TABLE III	A THREAD CLASS 2B	B DIA MAX	C MAX	Z DIA MIN	X MIN	Y ±.020 [±0.51] DIA
218M608	8S	B	.375-32 UNEF	.72 [18.3]	.425 [10.80]	.245 [6.22]	.044 [1.11]	.518 [13.16]
		C	.438-28 UNEF			.307 [7.80]		
		A,R	.438-27 UNS			.307 [7.80]		
		D ⑥	⑤			.307 [7.80]		
218M610	10S	—	.500-28 UNEF	.79 [20.1]		.370 [9.40]		.590 [14.99]
218M611	10SL	C 10	.562-24 UNEF	.91 [23.1]		.433 [11.00]		.590 [14.99]
		A,B,R	.625-24 UNEF			.495 [12.57]		.759 [19.28]
		D ⑥	⑤			.433 [11.00]		.759 [19.28]
218M612	12&12S	B,C	.625-24 UNEF	.91 [23.1]		.495 [12.57]		.759 [19.28]
		A,R	.688-24 UNEF			.557 [14.15]		
		D ⑥	⑤			.97 [24.6]		
218M614	14&14S	—	.750-20 UNEF	1.04 [26.4]		.620 [15.75]		.823 [20.91]
218M616	16&16S	—	.875-20 UNEF	1.22 [31.0]		.745 [18.92]		.948 [24.08]
218M618	18	—	1.000-20 UNEF	1.35 [34.3]		.807 [20.50]	.044 [1.11]	1.026 [26.07]
218M620	20	A, B, C	1.125-18 UNEF	1.47 [37.4]		.995 [25.27]	.069 [1.75]	1.340 [34.04]
		R	1.125-24 UNS					
		D ⑥	⑤					
218M622	22	—	1.250-18 UNEF	1.60 [40.6]		1.120 [28.45]	.069 [1.75]	1.428 [36.28]
218M624	24	—	1.375-18 UNEF	1.72 [43.7]		1.245 [31.62]	.069 [1.75]	1.594 [40.49]
218M628	28	—	1.625-18 UNEF	2.10 [53.3]	.425 [10.80]	1.370 [34.80]	.086 [2.18]	1.694 [43.03]
218M632	32	B, C	1.875-16 UN	2.22 [56.4]	.587 [14.91]	1.620 [41.15]		1.904 [48.37]
		A, R	1.906-18 UN					
		D ⑥	⑤					
218M636	36	B	2.062-16 UNS	2.47 [62.7]		1.870 [47.50]		2.154 [54.72]
		R	2.062-20 UNS					
		C	2.125-16 UN					
		A	2.125-18 UNS					
		D ⑥	⑤					
218M640	40	B	2.312-16 UNS	2.72 [69.1]		2.120 [53.85]		2.387 [60.63]
		A, C, R	2.375-16 UN					
		D ⑥	⑤					
218M644	44	—	2.625-16 UN	2.97 [75.4]		2.370 [60.20]		2.642 [67.11]
218M648	48	C	2.812-18 UNS	3.22 [81.8]	.587 [14.91]	2.620 [66.55]	.086 [2.18]	2.892 [73.46]
		A, R	2.875-16 UN					
		D ⑥	⑤					

If this document is printed it becomes uncontrolled.
Check for the latest revision.

SIZE A	CODE IDENT. NO. 06090	DWG. NO. 218M6XX	REV H
DO NOT SCALE THIS DWG		CAD NAME \ACAD12\218M6X-2	SHEET 2 OF 3

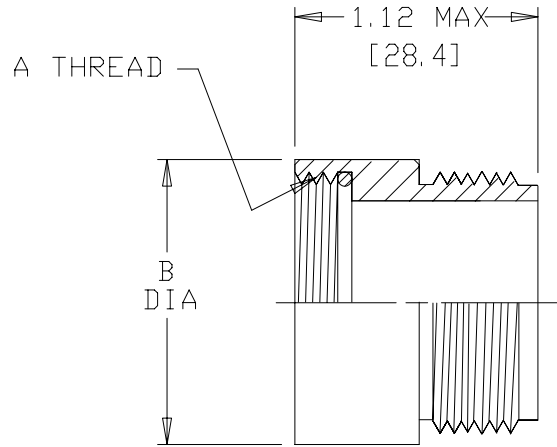


FIGURE A

TABLE II	
MFR CODE	CONNECTOR MANUFACTURER (MS 3100, MS 3101 & MS 3106)
A	AMPHENOL-CLASS A
B	BENDIX-CLASS A, E & R
C	CANNON-CLASS A, E & R
D	MFR UNKNOWN, CLASS A, E & R
R	AMPHENOL-CLASS R
-	MFR CODE NOT REQUIRED

If this document is printed it becomes uncontrolled.
Check for the latest revision.

SIZE	CODE IDENT. NO.	DWG. NO.	REV
A	06090	218M6XX	H
DO NOT SCALE THIS DWG		CAD NAME \ACAD12\218M6X-2	SHEET 3 OF 3