

IPSU-M12 Series

Industrial Pressure Sensor - Ceramic - with M12 4-Pin Connector



- Piezo-resistive thick film ceramic sensor
- Stainless steel body
- Accuracy $\leq \pm 0.25\%$ FS BFSL
- 0-5V or 4-20mA output
- Pressure ranges from -14.5 to 5800 psi
- M12 4-pin connector
- 1/4" NPT process connection

The IPSU-M12 series is suitable for use in a wide range of industrial applications. The probe uses a piezo-resistive ceramic sensor, giving excellent media compatibility within a stainless steel housing

The electronics incorporate a microprocessor based amplifier, requiring no adjusting and giving stable electronics, especially industrial applications..

Each device is temperature compensated, calibrated and supplied with a traceable serial number and calibration data.

Mating cable and plug assemblies are available - see datasheet M12 Cable Set Series

Electrical Protection

Supply reverse polarity	No damage/no function
Electromagnetic compatibility	CE Compliant

Performance

Accuracy (Non-Linearity & Hysteresis)	$\leq \pm 0.25\%$ / FS (BFSL)	
Setting Errors (offsets)	2-wire	Zero & Full Scale, $\leq \pm 0.5\%$ / FS
	3-wire	Zero & Full Scale, $\leq \pm 0.5\%$ / FS

Mechanical Stability

Shock	100g / 11s
Vibration	10g RMS (20 - 2000Hz)

Material Specifications

Housing	316L Stainless Steel
"O" ring seals	Viton
Diaphragm	Ceramic Al ₂ O ₃ 96%
Media wetted parts	Housing & connection, "O" ring seal, diaphragm
Weight	Approx 100g
Installation position	Any
Operational Life	> 100x 10 ⁶ cycles
Insulation resistance	> 50MΩ at 50Vdc
Environmental protection	IP67 (only when used with a similarly rated connector)

Temperatures & Thermal Effects

Media Temperature	-40°C to +135°C
Ambient Temperature	-20°C to +80°C
Storage temperature	-40°C to +125°C
Compensated temperature range	+20°C to +80°C
Thermal Zero Shift (TZS)	$\leq \pm 0.04\%$ /FS/°C
Thermal Span Shift	$\leq \pm 0.015\%$ /°C

Pressure Ranges and Passive mV/V Outputs

Nominal Pressure, Gauge, psi	15	30	75	150	300	750	1500	3750	6000
Compound range psi	-7.5 to 0 -7.5 to 30 -15 to 75 -15 to 1235 -15 to 285 -15 to 360								
Permissible Overpressure psi	30	60	150	300	600	1500	3000	6000	9750
Burst Pressure psi	60	75	180	375	750	1800	3750	7500	9750

Output Signals and Supply Voltages

Wire system	Output	Supply Voltage	Connection Pin Nos		
2-wire	4-20mA	9-32Vdc	+ve Supply Pin 1	-ve Supply Pin 2	Ground Earth Pin
3-wire	0-5Vdc	9-32Vdc	+ve Supply Pin 1	-ve Supply Pin 2	Earth Pin 4
			Output Pin 3		

Cynergy3 Components Ltd.
7 Cobham Road
Ferndown Industrial Estate
Wimborne, Dorset BH21 7PE
Telephone +44 (0) 1202 897969

Email: sales@cynergy3.com



ISO9001 CERTIFIED

IPSU-M12 2018

www.cynergy3.com

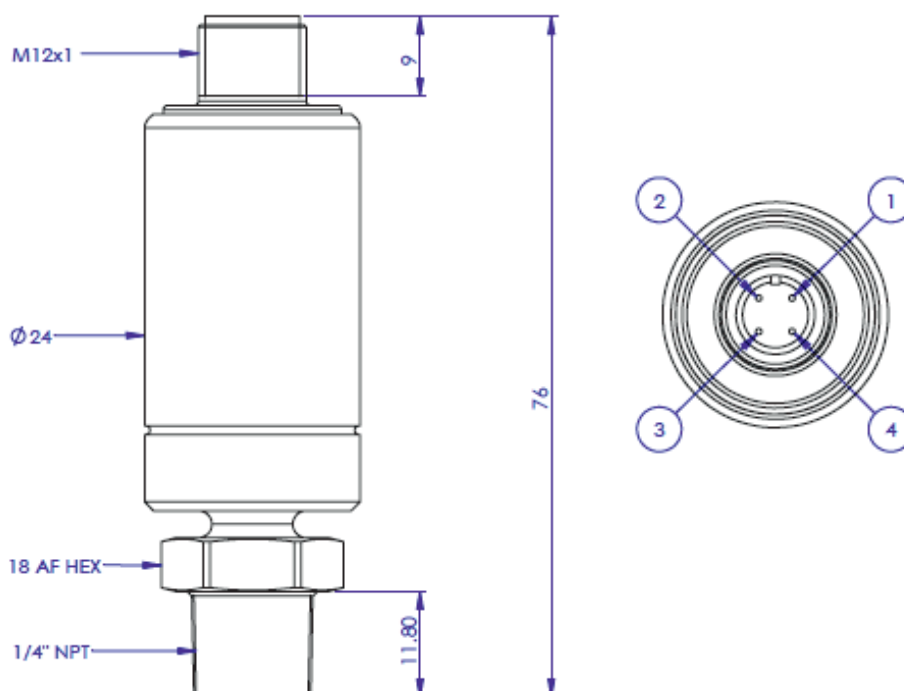
IPSU-M12 Series

Industrial Pressure Sensor - Ceramic - with M12 4-Pin Connector

Part Number	Range	Output
IPSU-GP015-5M12	0-15 psi G	4-20mA
IPSU-GP015-6M12	0-15 psi G	0-5V
IPSU-GP030-5M12	0-30 psi G	4-20mA
IPSU-GP030-6M12	0-30 psi G	0-5V
IPSU-C0446-5M12	-14.5 to +150 psi G	4-20mA
IPSU-C0446-6M12	-14.5 to +150 psi G	0-5V
IPSU-GP075-5M12	0-75 psi G	4-20mA
IPSU-GP075-6M12	0-75 psi G	0-5V
IPSU-GP100-5M12	0-100 psi G	4-20mA
IPSU-GP100-6M12	0-100 psi G	0-5V
IPSU-C0447-5M12	-14.5 to +350 psi G	4-20mA
IPSU-C0447-6M12	-14.5 to +350 psi G	0-5V
IPSU-GP150-5M12	0-150 psi G	4-20mA
IPSU-GP150-6M12	0-150 psi G	0-5V
IPSU-GP300-5M12	0-300 psi G	4-20mA
IPSU-GP300-6M12	0-300 psi G	0-5V
IPSU-GP750-5M12	0-750 psi G	4-20mA
IPSU-GP750-6M12	0-750 psi G	0-5V
IPSU-GP1K5-5M12	0-1500 psi SG*	4-20mA
IPSU-GP1K5-6M12	0-1500 psi SG*	0-5V
IPSU-GP3K6-5M12	0-3600 psi SG*	4-20mA
IPSU-GP3K6-6M12	0-3600 psi SG*	0-5V
IPSU-GP5K8-5M12	0-5800 psi SG*	4-20mA
IPSU-GP5K8-6M12	0-5800 psi SG*	0-5V

* sealed gauge

Mechanical Dimensions



Cynergy3 Components Ltd.
 7 Cobham Road
 Ferndown Industrial Estate
 Wimborne, Dorset BH21 7PE
 Telephone +44 (0) 1202 897969

Email: sales@cynergy3.com

ISO9001 CERTIFIED

© 2018 Cynergy3 Components, All Rights Reserved. Specifications are subject to change without prior notice. Cynergy3 Components and the Cynergy3 Components logo are trademarks of Cynergy3 Components Limited.

www.cynergy3.com