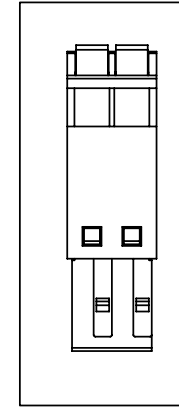
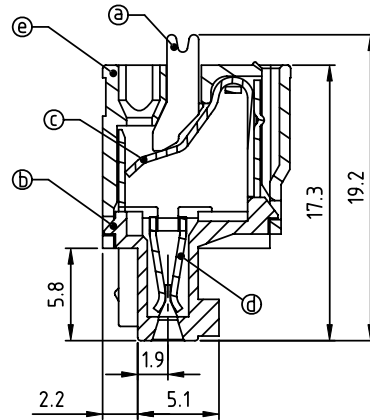
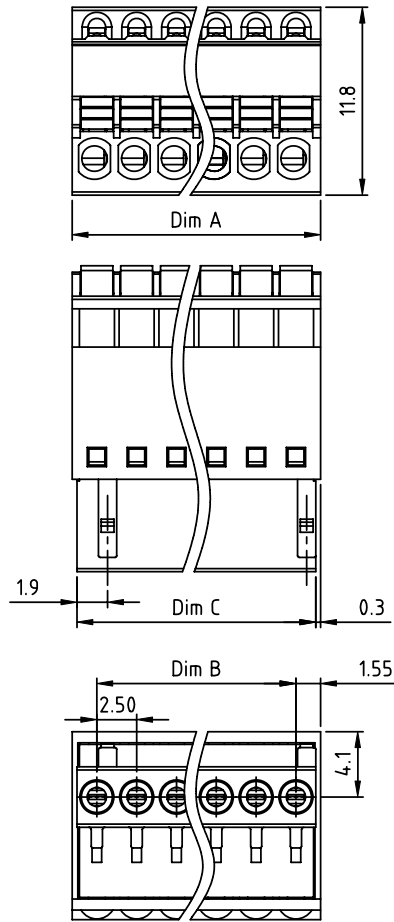


PRODUCT NUMBER	PITCH
HWxxB0x000J0G	2.50 mm



2P

Material:

- Item ① Insulator (lever): Thermoplastic (UL94 V-0) Orange (RAL2011/P)
- Item ② Bottom body: Thermoplastic (UL94 V-0)
- Item ③ Spring clamp: Stainless steel
- Item ④ Female contact: PhBz. Tin plated
- Item ⑤ Top body: Thermoplastic (UL94 V-0)

Electrical:

- Voltage rating: 150V
- Current rating: 4A
- Wire range:
- Solid wire (AWG): 20-28
- Stranded wire (AWG): 20-28
- Wire strip length: 7-8mm
- Withstanding Voltage: 1.3KV
- Operating temperature: -40°C to +115°C
- Safety Approval:

PART NO.: HW xx B 0 x 0 00J0 G

N=NUMBER OF POLES

Dim A=N×2.50+0.60
Dim B=(N-1)×2.50
Dim C=N×2.50

Poles	Tolerance
2P-6P	±0.10
7P-12P	±0.15
13P-18P	±0.20
19P-24P	±0.30

	Color	RoHS compliant (lead<4%) In copper Alloy
Solid block	0 Black (RAL9005)	
No. of poles	2 Red (RAL3001/D)	
02 2 poles	3 Orange (RAL2011/P)	
03 3 poles	4 Yellow (RAL1018/A)	
...	5 Green (RAL6018/T)	
24 24 poles	6 Blue (RAL5015/A)	
	8 Grey (RAL7035/D)	
	9 White (RAL1102)	
	C Green (RAL6018/U)	

mat'l. code		surface ASME Y14.5 ✓	tolerance ASME Y14.5	projection	product family
ltr	ecn no	dr	date		TERMINAL BLOCK
				tolerances unless otherwise specified	title
				angles	TERMINAL BLOCK
				$X \pm 0.5$	SPRING CLAMP, PLUGGABLE PLUG
				$X.X \pm 0.3$	scale
				$X^* \pm 1^*$	MM
				dr	EVIN ZHONG 051514
				enr	EVIN ZHONG 051514
				chr	HANKE FENG 051514
				appd	SHI JUN 051514
sheet index	revision	A			dwg no
	sheet	1			HWxxB0x000J0G
					sheet 1 of 1
					size
					A4
					type
					CUSTOMER Drawing