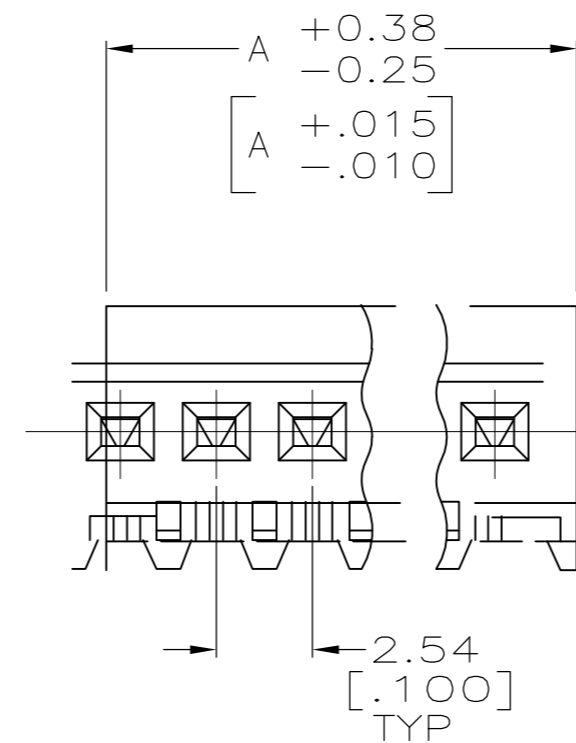
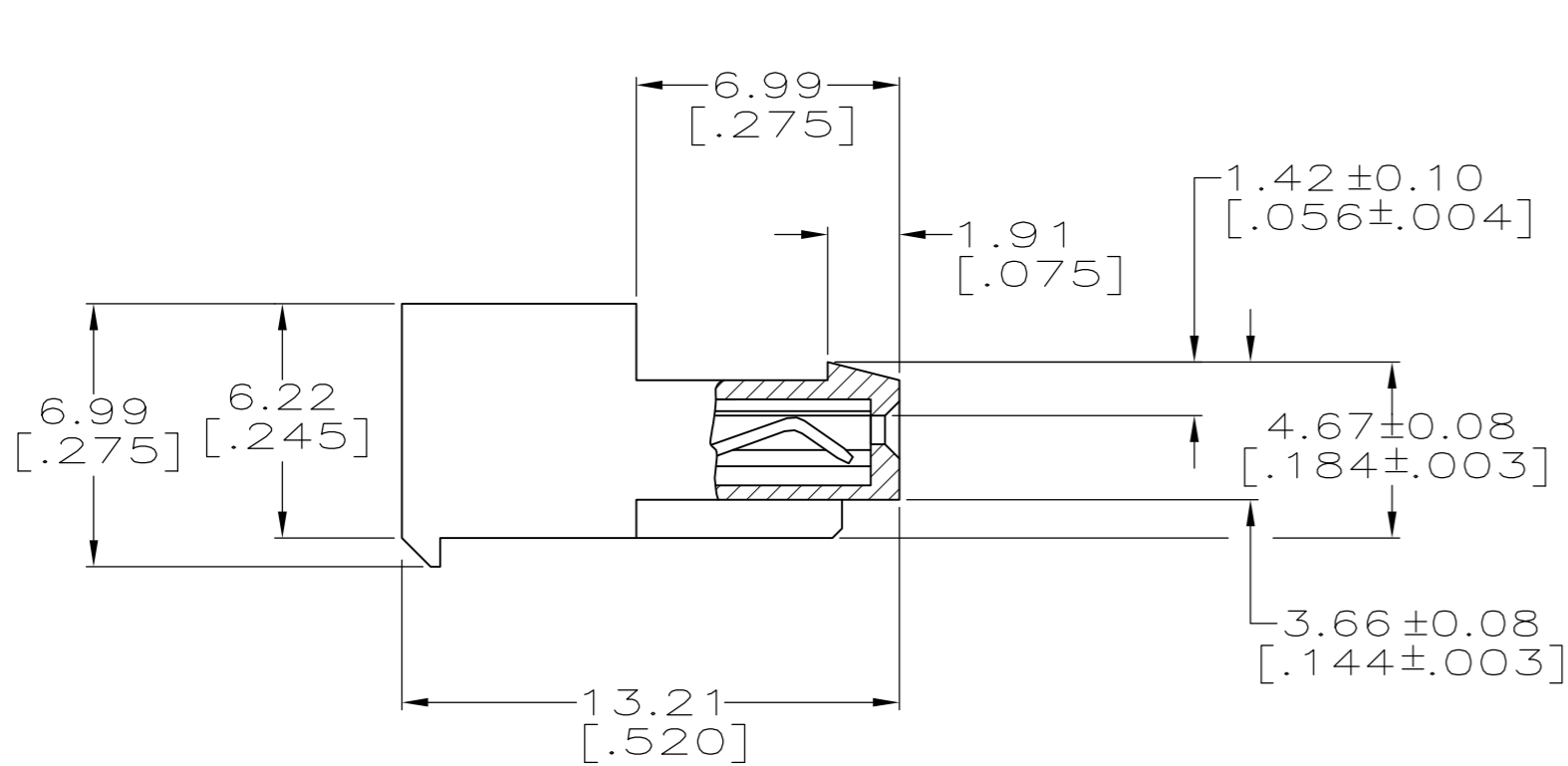
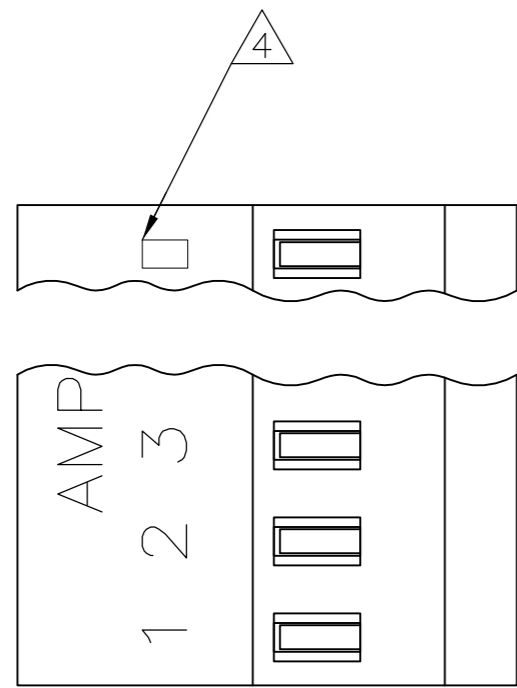


THIS DRAWING IS UNPUBLISHED. RELEASED FOR PUBLICATION
 © COPYRIGHT - By - ALL RIGHTS RESERVED.

LOC		DIST		REVISIONS			
P	LTR	DESCRIPTION	DATE	DWN	APVD		
B2		REVISED PER ECO-11-005027	11MAR11	RK	HMR		

OBSOLETE PARTS: OBSOLETE CIS STREAMLINING PER D.RENAUD/D.SINISI



MATERIAL: CONNECTOR-NYLON UL94V-0 (BLACK).
 CONTACTS-0.30 [.012] THICK COPPER ALLOY
 BRIGHT TIN-LEAD 0.00203 [.000080] MIN THICK FOR CONTACTS
 644574-2 THRU 1-644574-5
 MATTE WHISKER MITIGATED TIN PLATE 0.00203 [.000080] MIN THICK
 OVER 0.00076 [.000030] MIN THICK NICKEL FOR CONTACTS
 3-644574-2 THRU 4-644574-5

- CONTACTS ACCEPT 24 AWG WIRE WITH 1.52 [.060] MAX INSULATION DIAMETER.
- CONTACTS MUST ACCEPT 0.64±0.03 [.025±.001] SQUARE POST AND REMAIN LOCKED IN POSITION.
- IDENTIFICATION NUMBER FOR LAST CIRCUIT MAY NOT APPEAR ON ALL ASSEMBLIES.
- DIMENSIONS IN BRACKETS ARE IN INCHES.
- HOUSING FEATURES ARE: CLOSED END WITH LOCKING RAMP.

METRIC

LEAD	CONTAINS LEAD		
	DIM A	NO.OF POSN	ASSEMBLY
38.10 [1.500]	15	4-644574-5	
35.56 [1.400]	14	4-644574-4	
33.02 [1.300]	13	4-644574-3	
30.48 [1.200]	12	4-644574-2	
27.94 [1.100]	11	4-644574-1	
25.40 [1.000]	10	4-644574-0	
22.86 [.900]	9	3-644574-9	
20.32 [.800]	8	3-644574-8	
17.78 [.700]	7	3-644574-7	
15.24 [.600]	6	3-644574-6	
12.70 [.500]	5	3-644574-5	
10.16 [.400]	4	3-644574-4	
7.62 [.300]	3	3-644574-3	
5.08 [.200]	2	3-644574-2	

- SUPSD BY 4-6445774-5
- SUPSD BY 4-6445774-4
- SUPSD BY 4-6445774-3
- SUPSD BY 4-6445774-2
- SUPSD BY 4-6445774-1
- SUPSD BY 4-6445774-0
- SUPSD BY 3-6445774-9
- SUPSD BY 3-6445774-8
- SUPSD BY 3-6445774-7
- SUPSD BY 3-6445774-6
- SUPSD BY 3-6445774-5

THIS DRAWING IS A CONTROLLED DOCUMENT.

DWN: S. HOOVER 03-DEC-2004
 CHK: D. BOSSI 03-DEC-2004
 APVD: D. BOSSI 03-DEC-2004

STE TE Connectivity

NAME: MTA .100 CONNECTOR ASSEMBLY
 24 AWG, UL94V-0, SPECIAL

PRODUCT SPEC: 108-1050
 APPLICATION SPEC: 114-1019

SIZE: A2 CAGE CODE: 00779 DRAWING NO: 644574 RESTRICTED TO: B2

SCALE: 5:1 SHEET: 1 OF 1 REV: B2