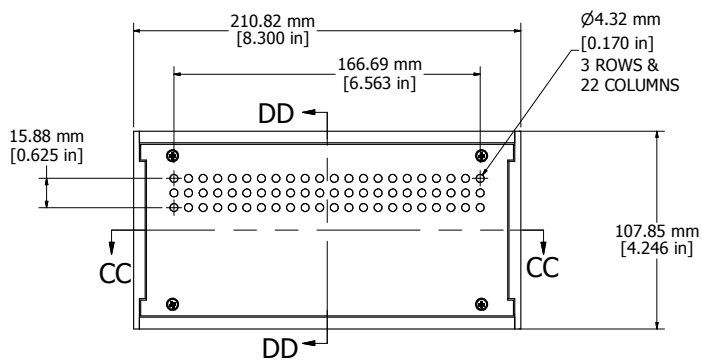
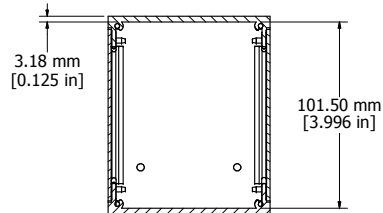


SECTION CC-CC



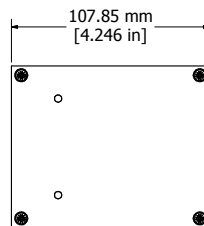
ASSEMBLY - VIEW FROM TOP



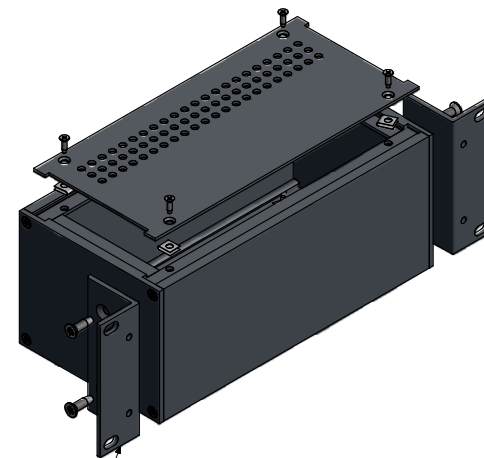
SECTION DD-DD



ASSEMBLY - VIEW FROM FRONT



ASSEMBLY - VIEW FROM SIDE



ISOMETRIC VIEW

MOUNTING FLANGE
NOT INCLUDED
(SEE ACCESSORIES)

Enclosures can be Factory Modified (Milling, Drilling, Printing etc.)
Contact Factory mjm@hammondmfg.com for quotes
Solid models of this enclosure available in STEP or IGES.

RM2U0804VBK	
Extruded Aluminum Frame - Type 6063	
2 Panels - .064" Aluminum (5052-H32) Powder Coat	
8 Screws - Flat Head 4-40 x 3/8"	
8 Screws - Flat Head 6-32 x 3/8"	
8 Nuts - #4 Speed Nuts	
4 Self Adhesive Rubber Feet	
ACCESSORIES	
Pull Handles	1427E 1BK
MTG. Flanges w/ Screws	RM2UMTGFL



**HAMMOND
MANUFACTURING™**

RM2U0804VBK

www.hammondmfg.com