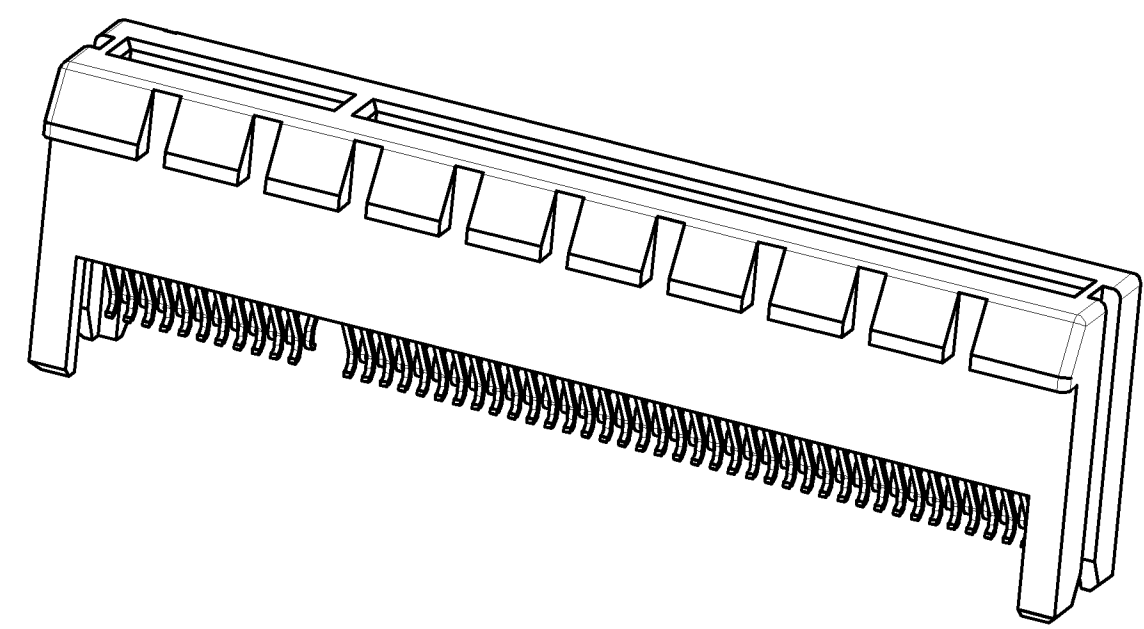
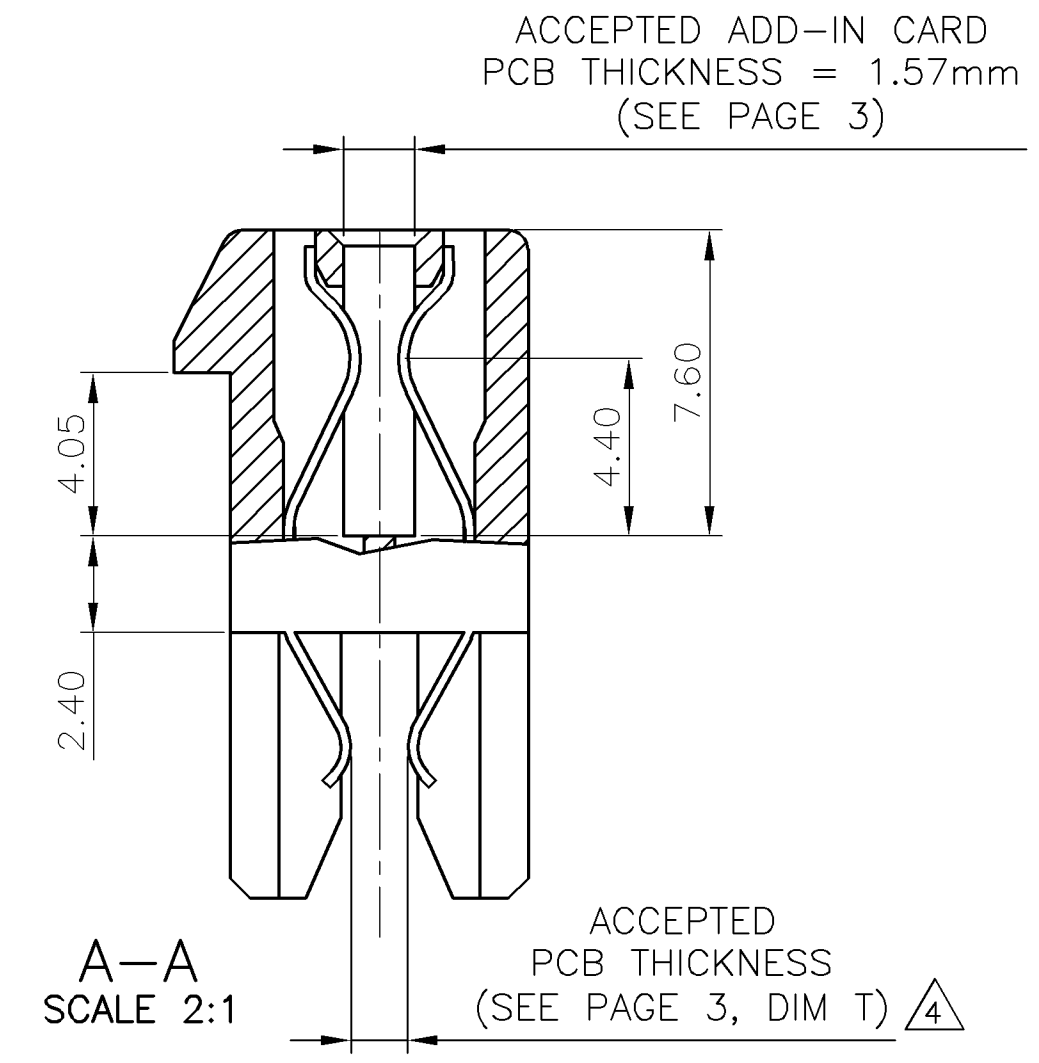
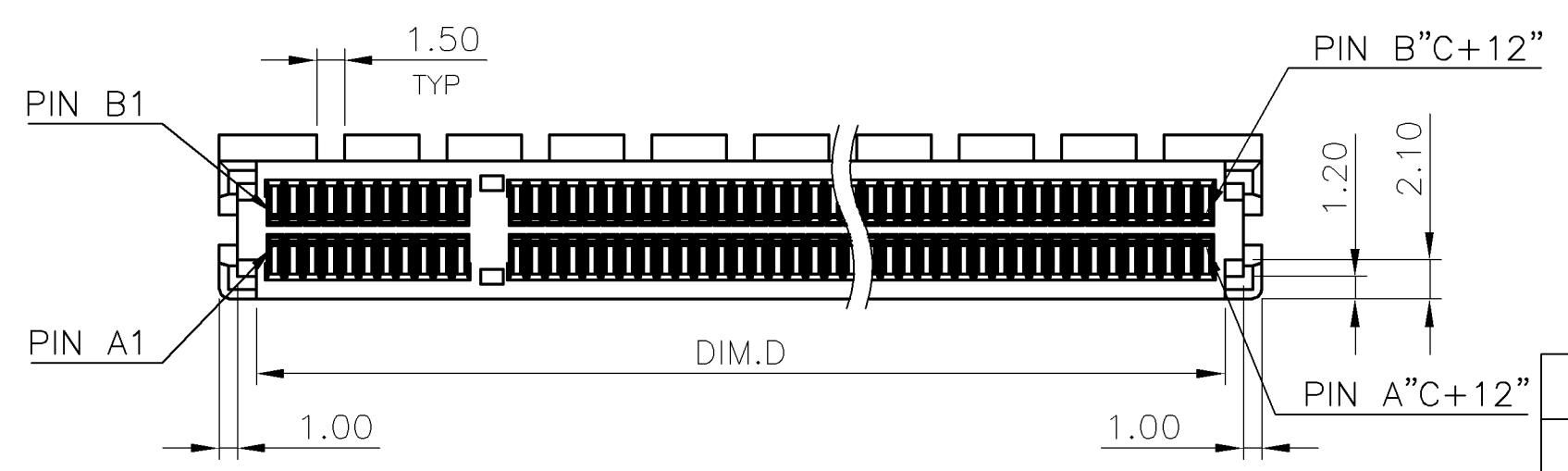
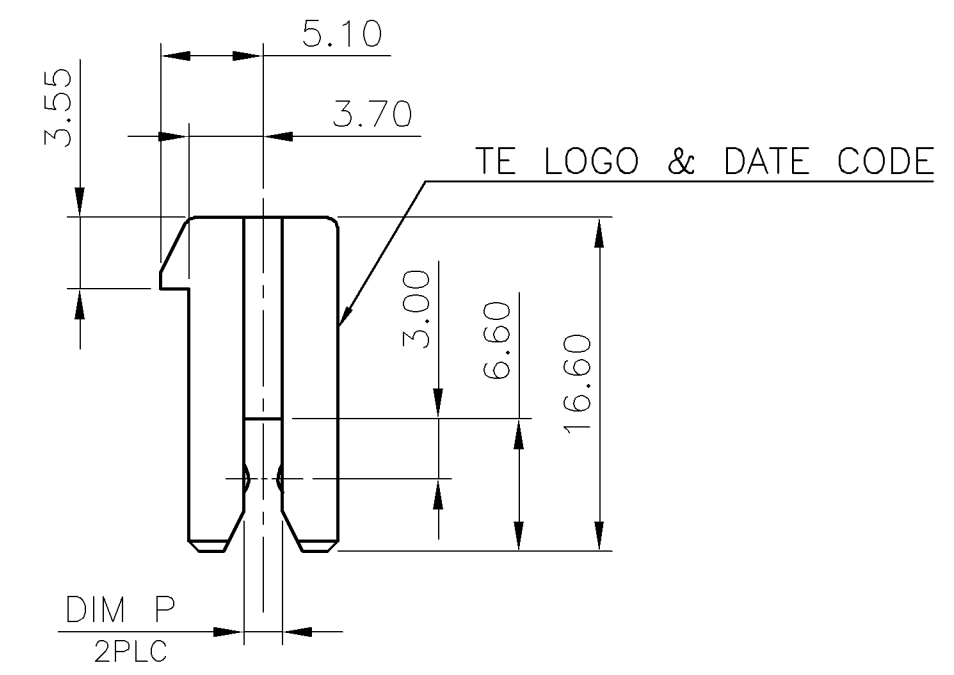
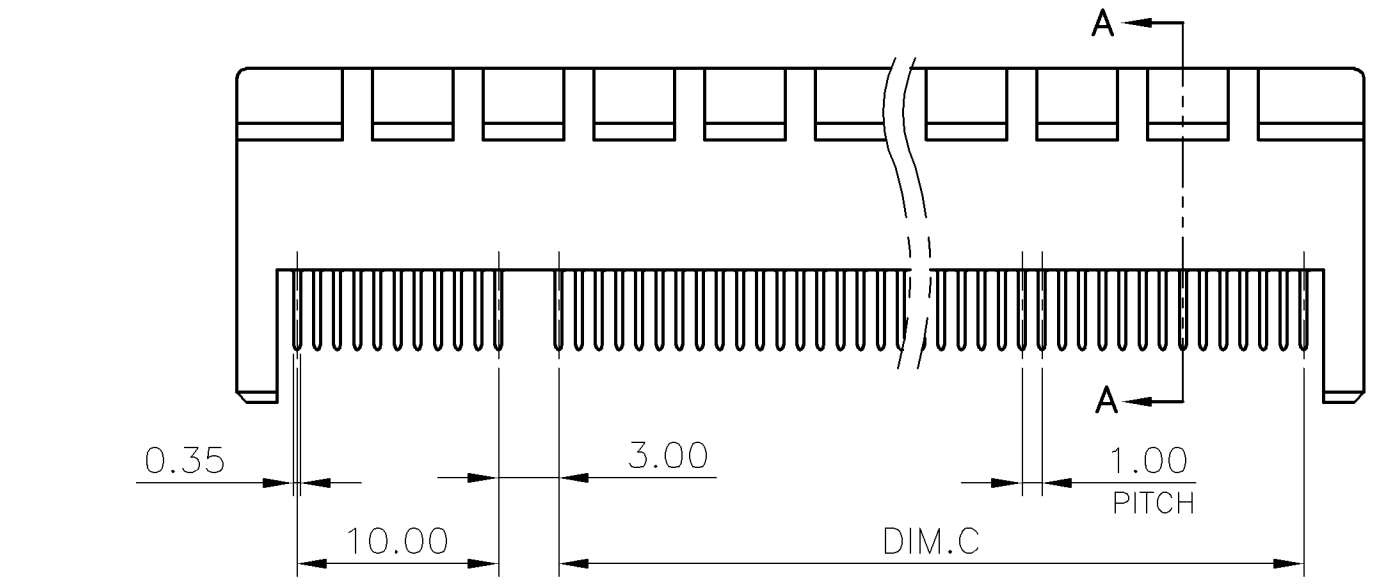
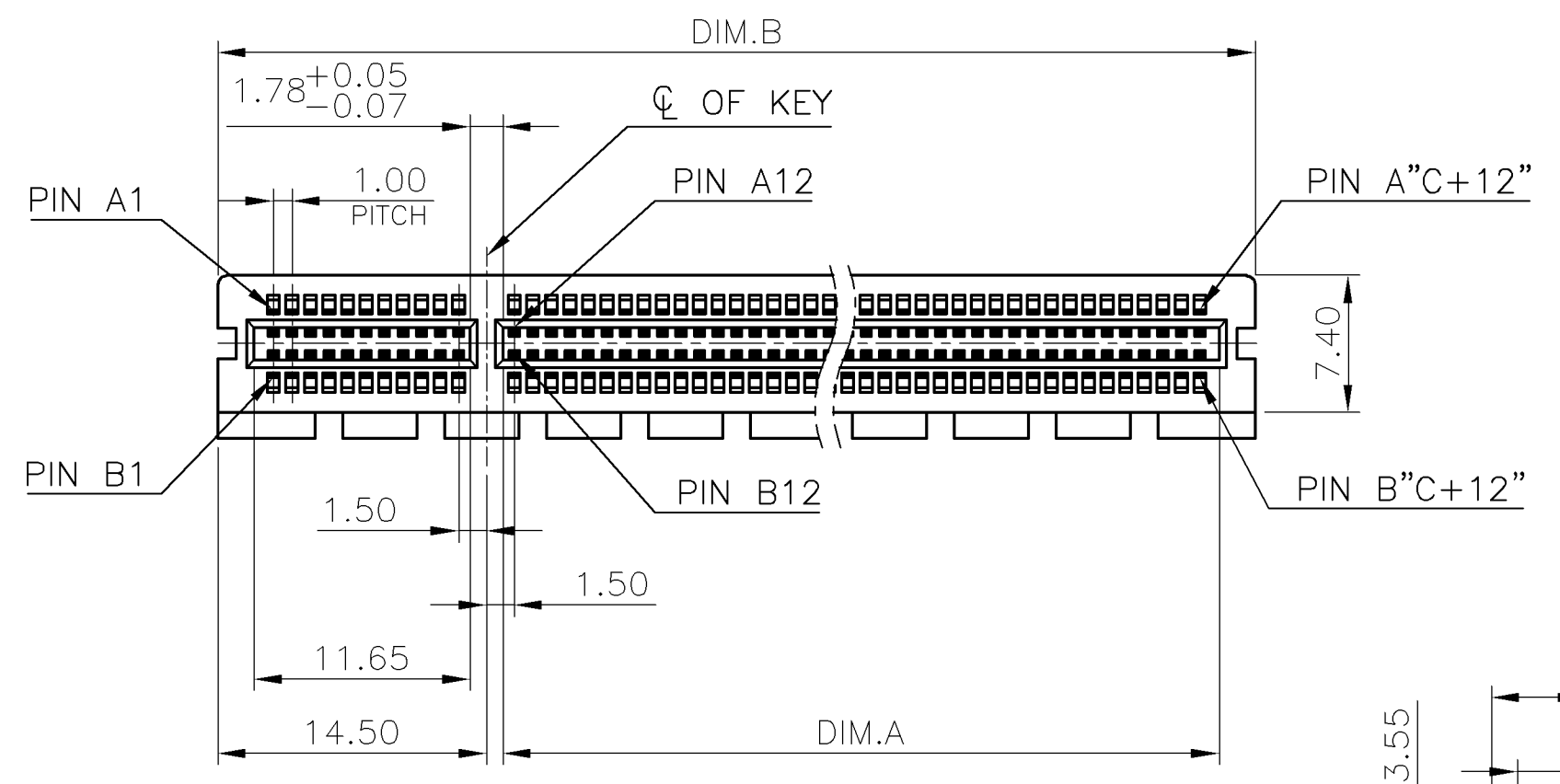


THIS DRAWING IS UNPUBLISHED. RELEASED FOR PUBLICATION
 © COPYRIGHT 2010 BY TYCO ELECTRONICS CORPORATION. ALL RIGHTS RESERVED.

LOC DW	DIST /	REVISIONS		
P	LTR	DESCRIPTION	DATE	DWN
	A	INITIAL RELEASED	11MAR'11	E.L.
				W.K.

- NOTE:
- MATERIAL:
 HOUSING: PA9T WITH 30% GF, UL94 V-0, COLOR: SEE TABLE.
 CAP: LCP WITH 30% GF, UL94 V-0, COLOR: BLACK.
 CONTACTS: PHOSPHOR BRONZE.
 - FINISH:
 CONTACTS:
 GOLD PLATING (SEE TABLE) ON CONTACT AREA.
 2.54um [100u"] MIN. MATTE-TIN ON SOLDER TAIL.
 1.27um [50u"] MIN. NICKEL UNDERPLATED OVERALL.
 - REFLOW SOLDER CAPABLE TO 260°C PER TEST SPEC. TEC-109-201, CONDITION B.
- ⚠ STRADDLE MOUNT PCB THICKNESS OPTION.
 ⚠ FOR REFLOW PROCESS, THE CAP MUST BE ATTACHED, IT WILL PROTECT HOUSING WARPAGE.



NET WEIGHT(g)	DIM D	DIM C	DIM B	DIM A	DIM P	ACCEPTED PCB THICKNESS ⚠	MIN. GOLD THICKNESS	HOUSING COLOR	POS.	PART NUMBER
11.10	85	70.0	89	71.65	2.00	1.80 [0.071"]	0.762um[30u"]	BLACK	164	2041313-4
3.20	21	6.0	25	7.65					36	2041313-1

THIS DRAWING IS A CONTROLLED DOCUMENT.		DWN E. LIU 11MAR2011	Tyco Electronics Corporation Taipei, Taiwan		
DIMENSIONS: mm		CHK S. CHIEN 11MAR2011	NAME		
TOLERANCES UNLESS OTHERWISE SPECIFIED:		APVD W. KODAMA 11MAR2011	PRODUCT SPEC		
0 PLC ± -		108-57854			
1 PLC ± 0.3		APPLICATION SPEC			
2 PLC ± 0.2		SIZE		CAGE CODE	DRAWING NO
3 PLC ± 0.15		A3		00779	C=2041313
4 PLC ± -		WEIGHT		RESTRICTED TO	
ANGLES ± 3'		SEE NOTE		-	
FINISH		CUSTOMER DRAWING		SCALE	SHEET
SEE NOTE				-	1 OF 4
				REV	A

4

3

2

1

THIS DRAWING IS UNPUBLISHED.

RELEASED FOR PUBLICATION

--,--

© COPYRIGHT 2010 BY TYCO ELECTRONICS CORPORATION. ALL RIGHTS RESERVED.

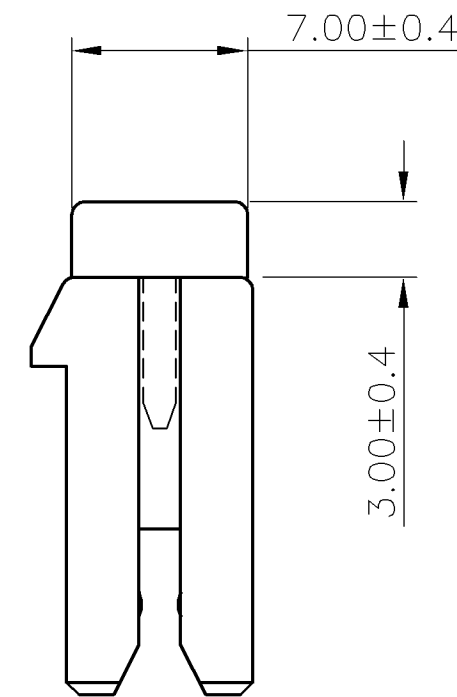
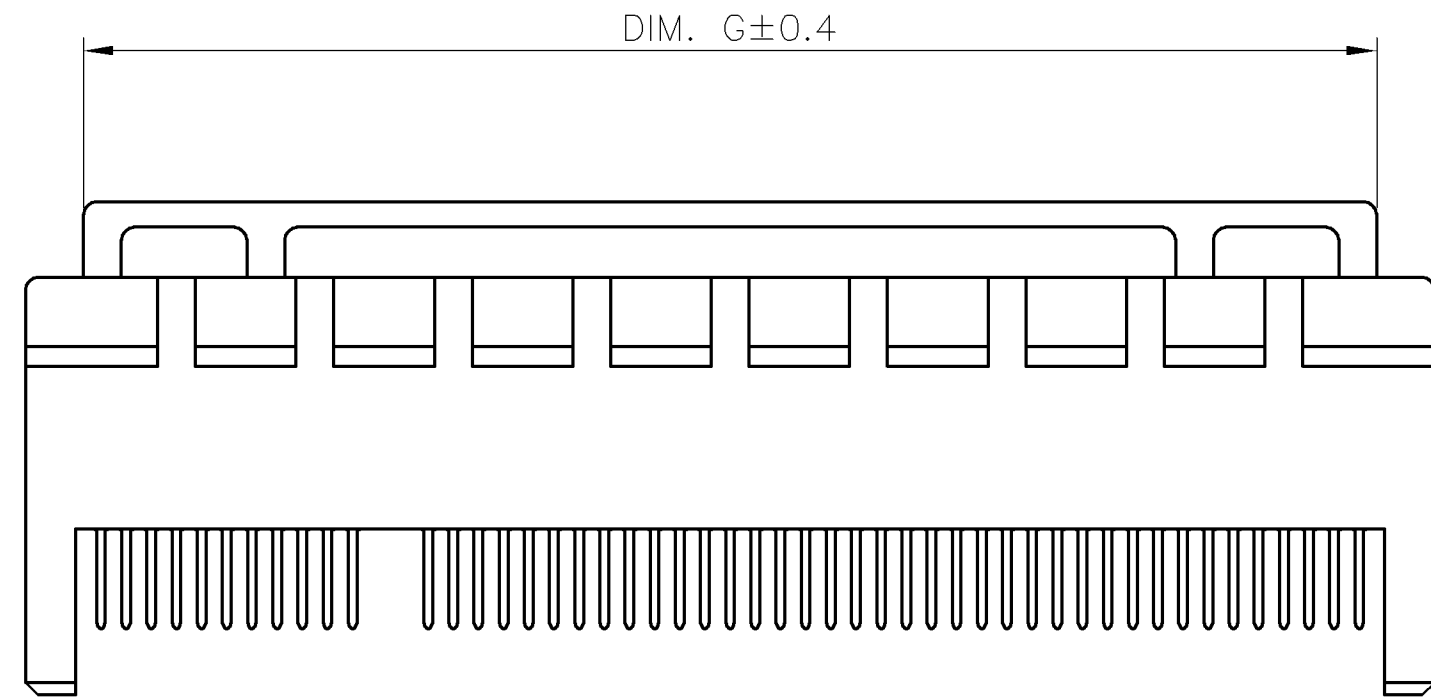
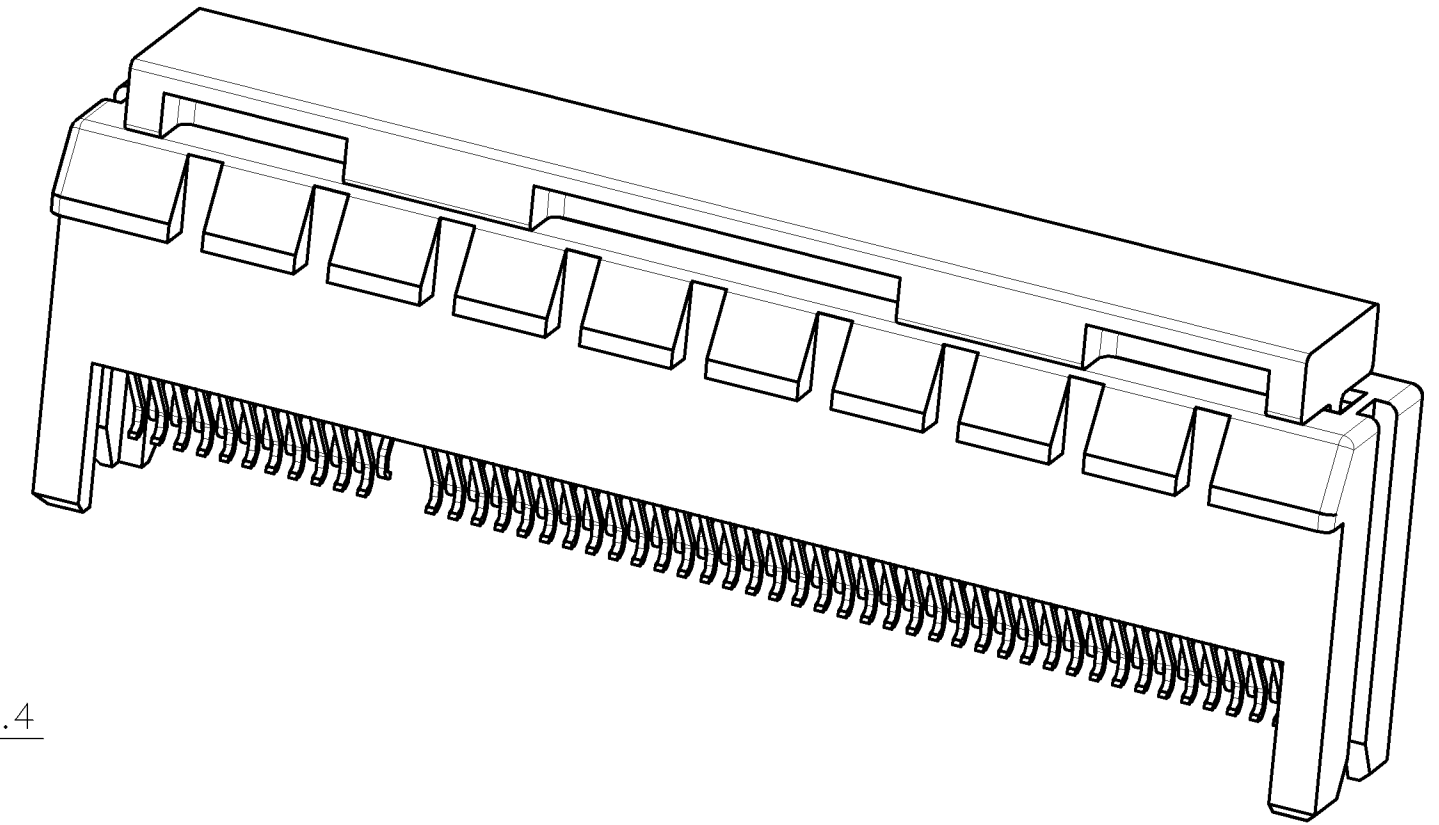
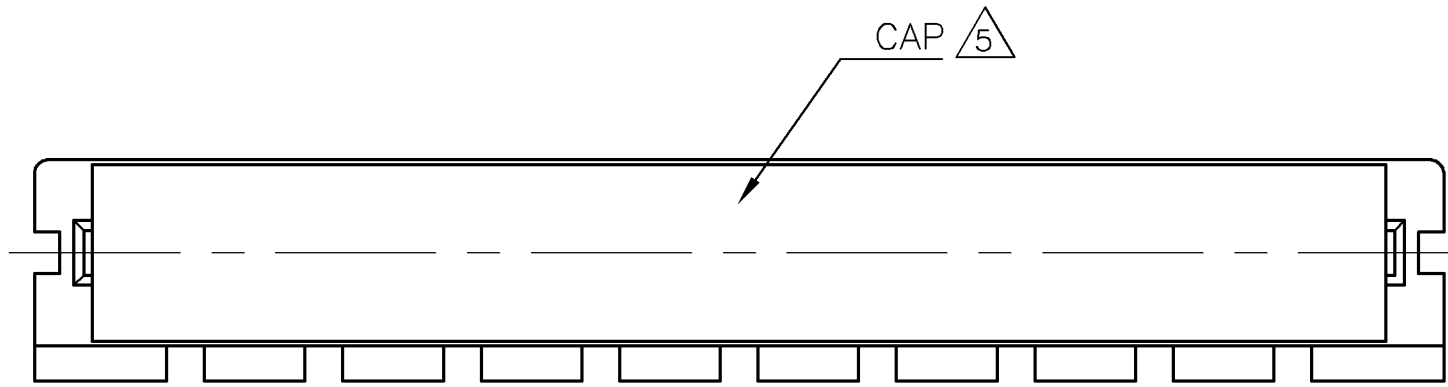
ALL RIGHTS RESERVED.

LOC
DW

DIST
/

REVISIONS

P	LTR	DESCRIPTION	DATE	DWN	APVD
		SEE SHEET 1.			



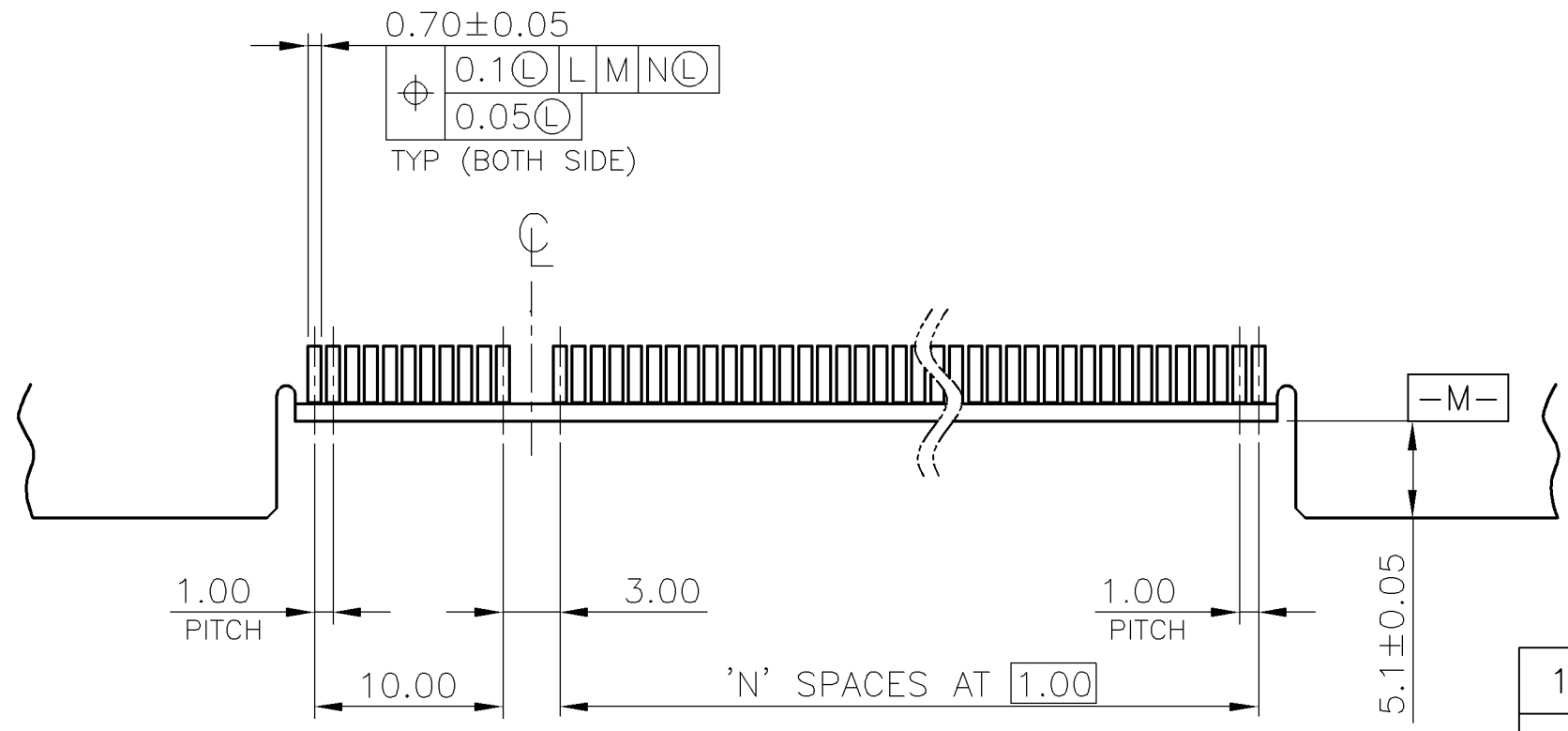
△ 5 ASSEMBLY WITH CAP CONDITION

164	84.4
36	20.4
POS.	DIM G

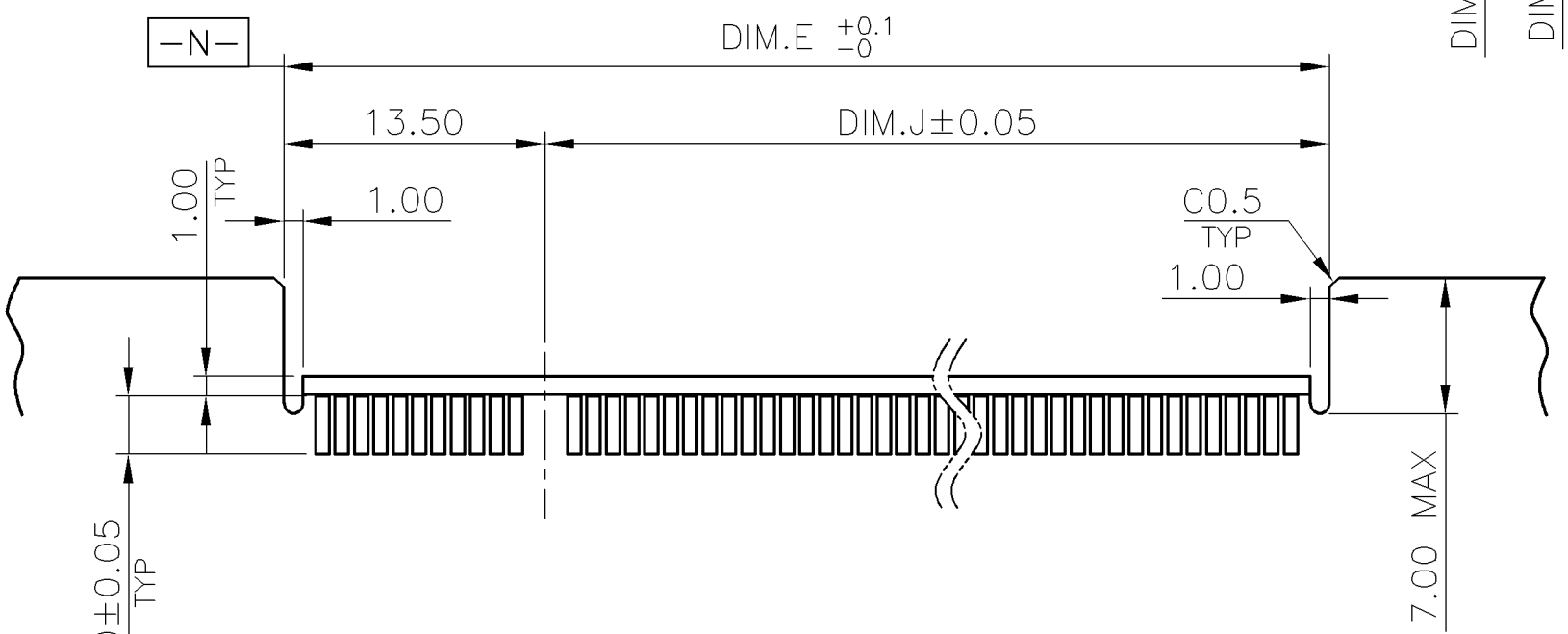
THIS DRAWING IS A CONTROLLED DOCUMENT.		DWN	Tyco Electronics Corporation Taipei, Taiwan		
DIMENSIONS: mm		CHK	NAME		
TOLERANCES UNLESS OTHERWISE SPECIFIED:		APVD	PCI EXPRESS CARD EDGE CONNECTOR STRADDLE MOUNT TYPE		
0 PLC ± -		PRODUCT SPEC	SIZE	CAGE CODE	DRAWING NO
1 PLC ± 0.3		APPLICATION SPEC	A3	00779	G-2041313
2 PLC ± 0.2		WEIGHT	RESTRICTED TO		
3 PLC ± 0.15		CUSTOMER DRAWING	SCALE	SHEET	REV
4 PLC ± -			-	2 OF 4	A
ANGLES ± 3°					
FINISH					

THIS DRAWING IS UNPUBLISHED. RELEASED FOR PUBLICATION
 © COPYRIGHT 2010 BY TYCO ELECTRONICS CORPORATION. ALL RIGHTS RESERVED.

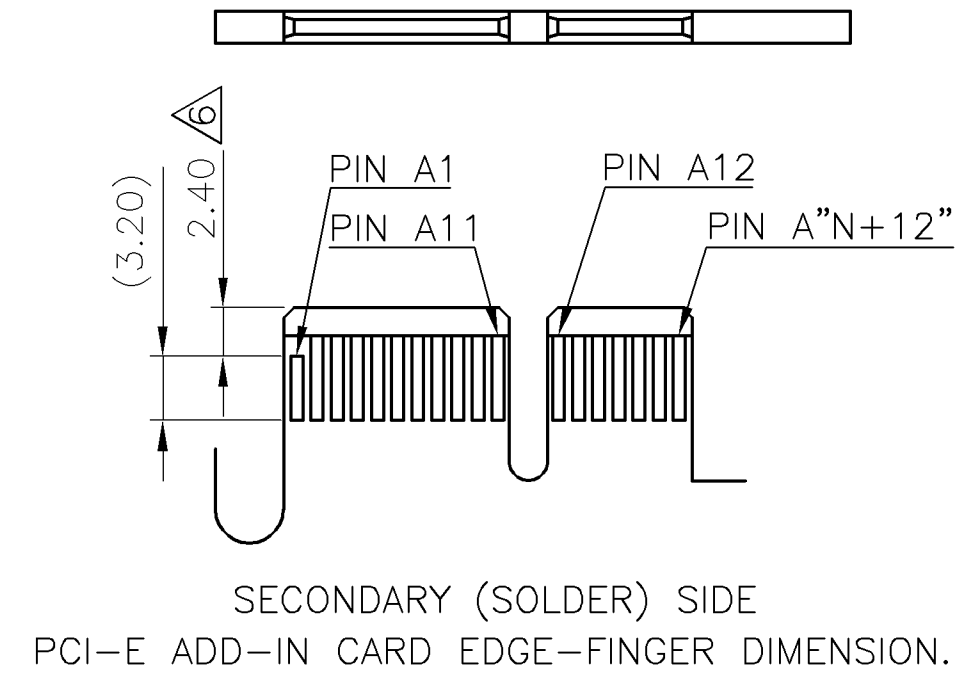
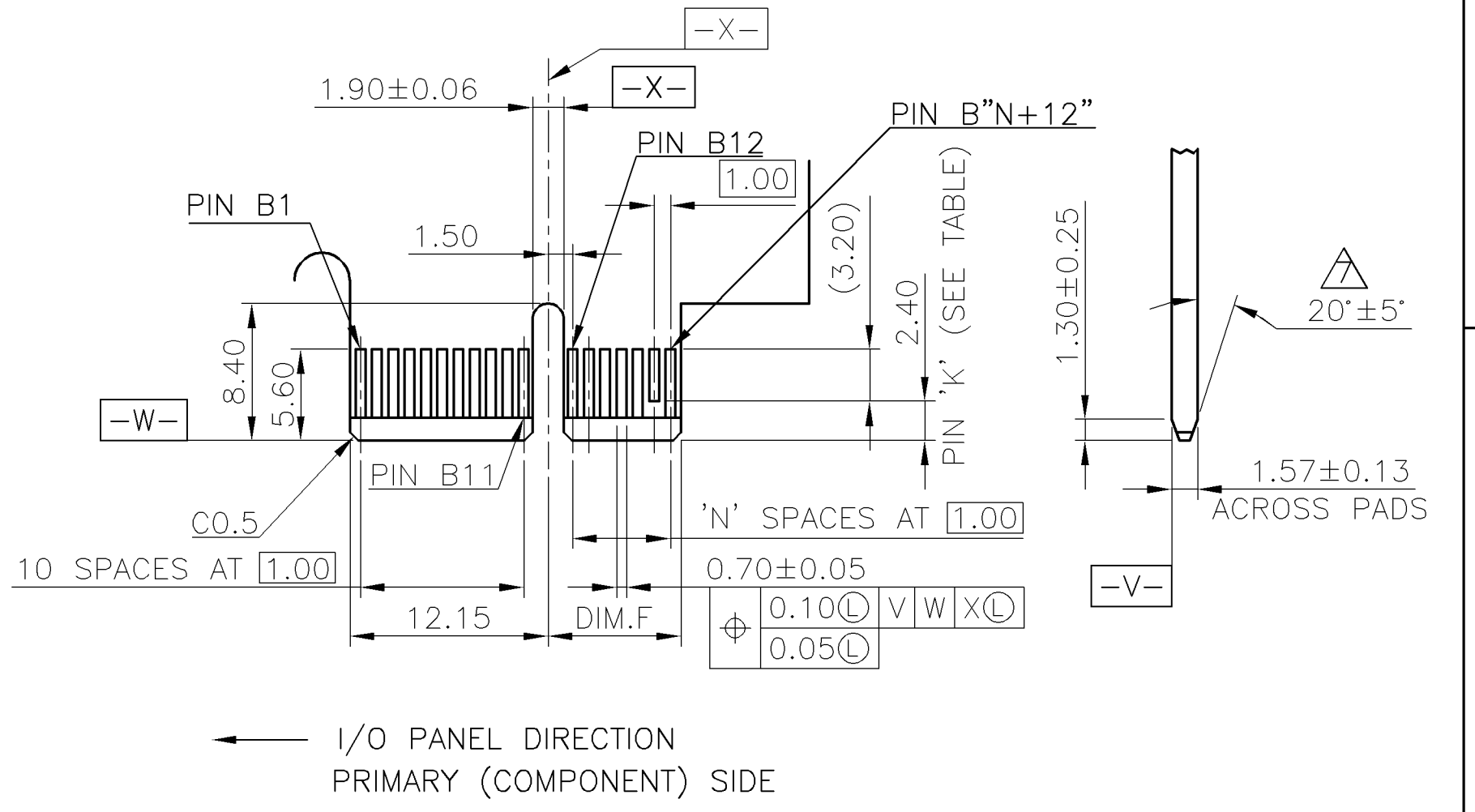
LOC	DIST	REVISIONS			
P	LTR	DESCRIPTION	DATE	DWN	APVD
		SEE SHEET 1.			



1.8±0.13	0.73
DIM T	DIM S



RECOMMENDED PCB LAYOUT
 PCB TOLERANCE: ±0.05



SECONDARY (SOLDER) SIDE
 PCI-E ADD-IN CARD EDGE-FINGER DIMENSION.

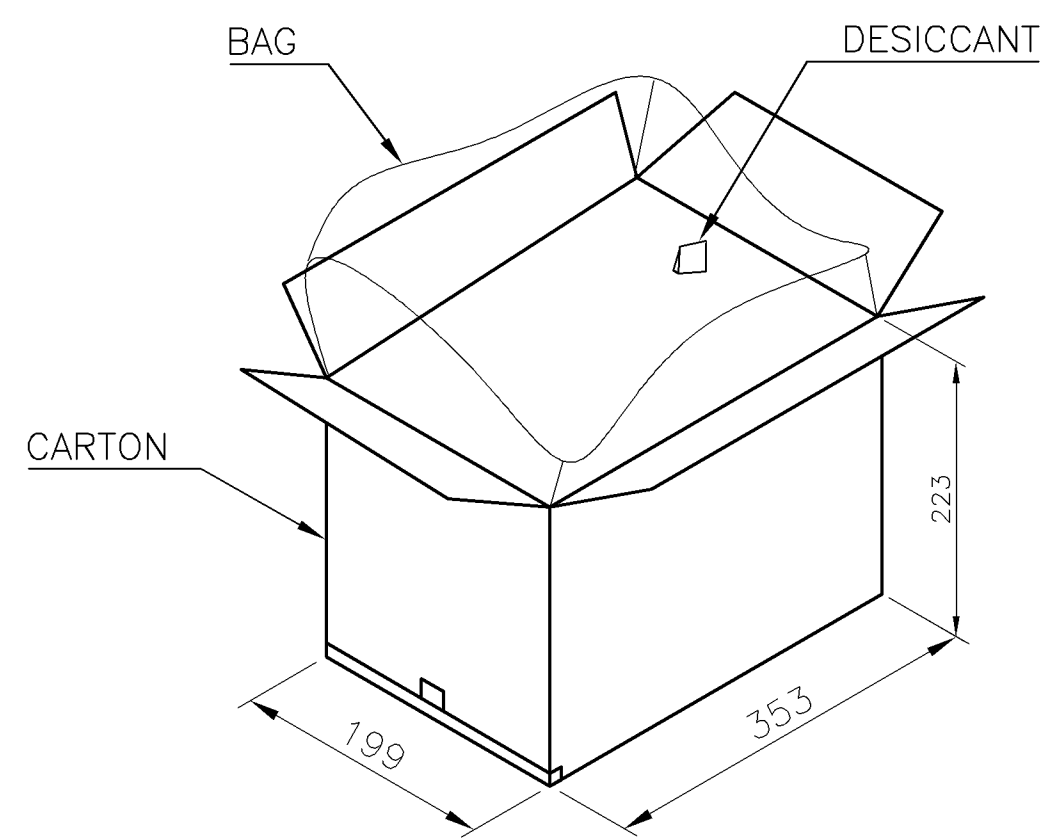
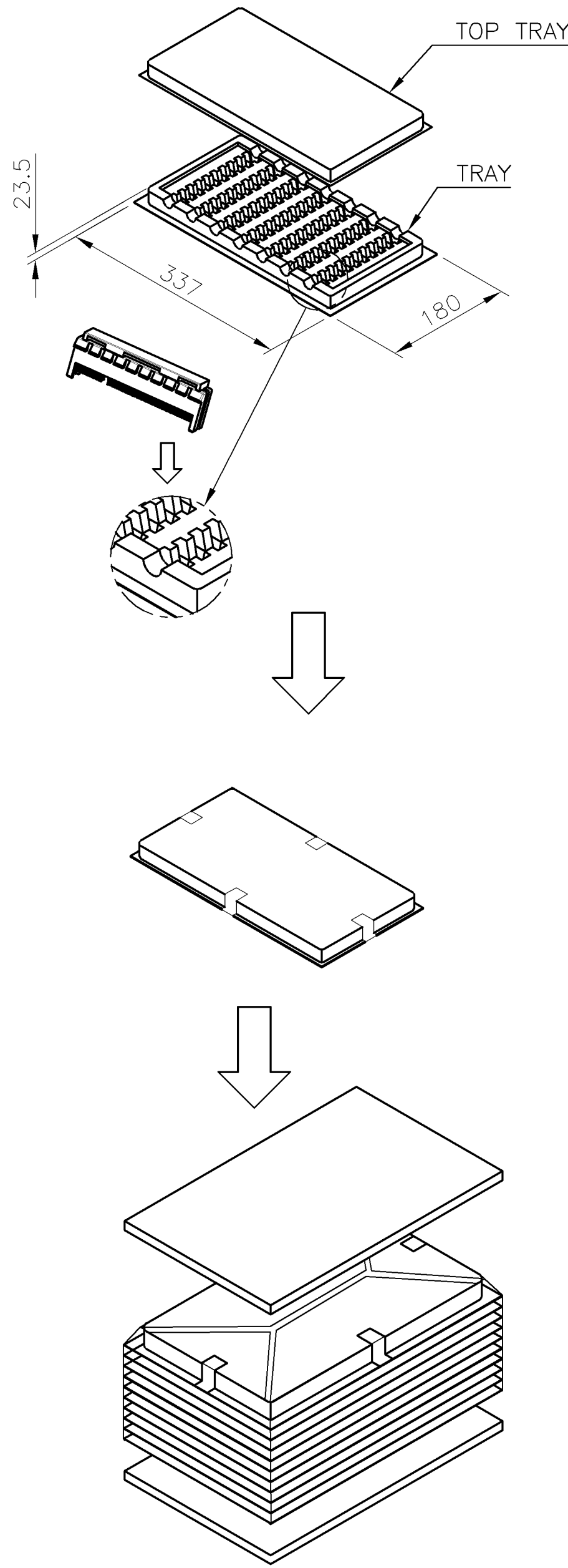
164	70	87	73.5	72.15	B17, B31, B48, B81
36	6	23	9.	8.15	B17
POS	N	DIM E	DIM J	DIM F	"K"

- ⚠ NO TIE BAR PERMITTED FROM CARD EDGE TO LEADING EDGE OF PAD FOR PINS A1 AND "K"
- ⚠ CHAMFER EDGE MUST BE FREE OF CUTTING BURRS

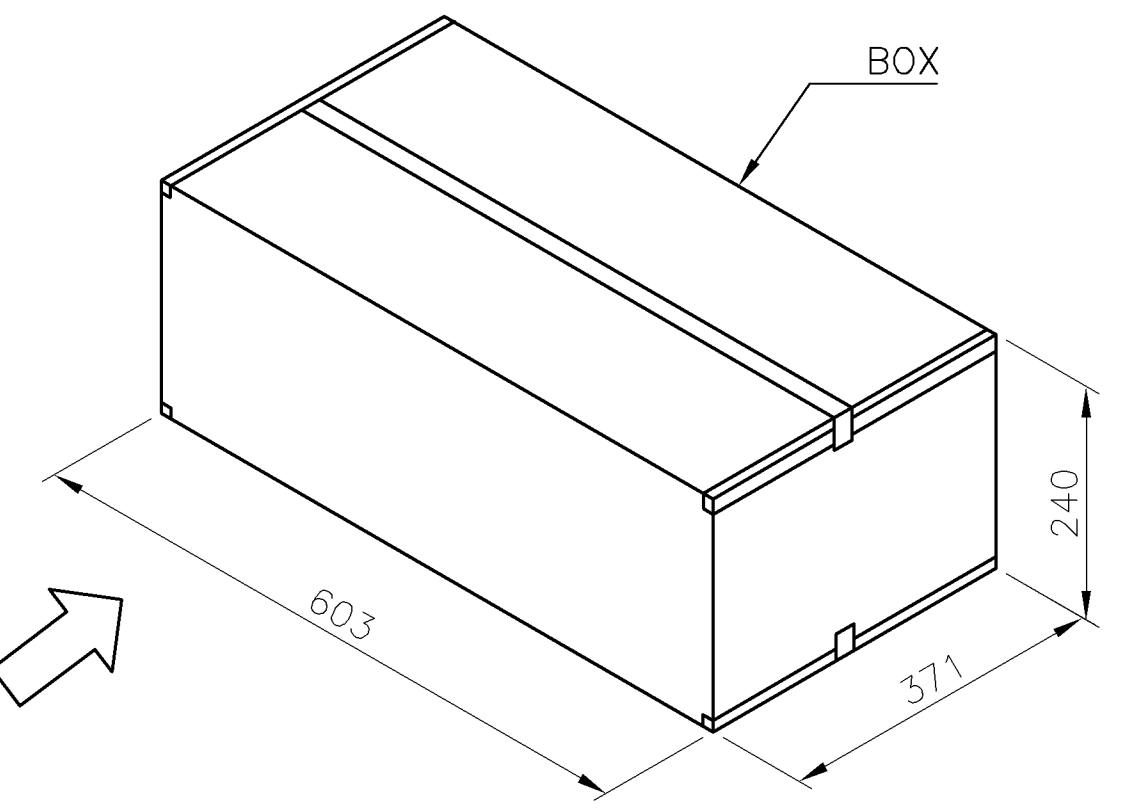
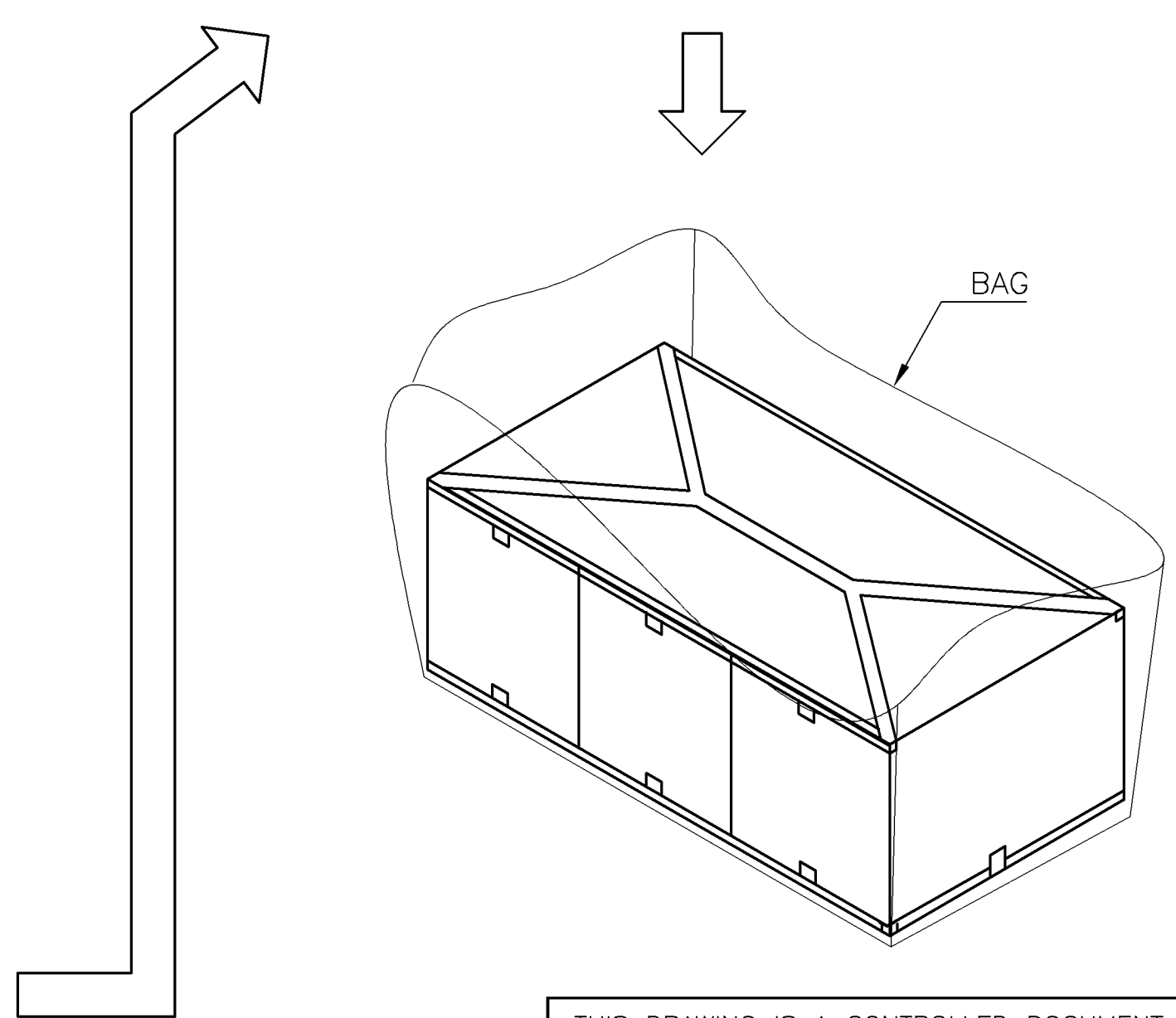
THIS DRAWING IS A CONTROLLED DOCUMENT.		DWN		Tyco Electronics Corporation	
DIMENSIONS: mm		CHK		Tyco Electronics Taipei, Taiwan	
TOLERANCES UNLESS OTHERWISE SPECIFIED:		APVD		NAME	
0 PLC ± -		PRODUCT SPEC		PCI EXPRESS CARD EDGE CONNECTOR STRADDLE MOUNT TYPE	
1 PLC ± 0.3		APPLICATION SPEC		SIZE CAGE CODE DRAWING NO RESTRICTED TO	
2 PLC ± 0.2		WEIGHT		A3 00779 C=2041313	
3 PLC ± 0.15		CUSTOMER DRAWING		SCALE SHEET 3 OF 4 REV A	
4 PLC ± -					
ANGLES ± 3°					
FINISH					

THIS DRAWING IS UNPUBLISHED. RELEASED FOR PUBLICATION
 © COPYRIGHT 2010 BY TYCO ELECTRONICS CORPORATION. ALL RIGHTS RESERVED.

LOC DW	DIST /	REVISIONS			
P	LTR	DESCRIPTION	DATE	DWN	APVD
		SEE SHEET 1.			



- MATERIAL :
 TRAY: PVC, COLOR: TRANSPARENT.
 CARTON: CORRUGATED FIBER
 BOX: CORRUGATED FIBER
 TRANSPARENT BAG: PE, SIZE: 480mm*350mm*0.06mm
 600mm*590mm*0.06mm
- EACH BAG SHALL BE INCLUDED:
 * DESICCANT



12.0KG	10.0KG	30	10	3	900	164
8.70KG	6.70KG	70	10	3	2100	36
GROSS WEIGHT	NET WEIGHT	PCS/ TRAY	TRAY/ CARTON	CARTON/ BOX	PCS/ BOX	POS.

THIS DRAWING IS A CONTROLLED DOCUMENT.		DWN	Tyco Electronics Corporation Taipei, Taiwan			
DIMENSIONS: mm		CHK	NAME			
TOLERANCES UNLESS OTHERWISE SPECIFIED:		APVD	PCI EXPRESS CARD EDGE CONNECTOR STRADDLE MOUNT TYPE			
0 PLC ± -		PRODUCT SPEC	SIZE			
1 PLC ± 0.3		APPLICATION SPEC	CAGE CODE	DRAWING NO	RESTRICTED TO	
2 PLC ± 0.2		WEIGHT	A3	00779	C=2041313	-
3 PLC ± 0.15		CUSTOMER DRAWING	SCALE	SHEET	REV	
4 PLC ± -			-	4 OF 4	A	
ANGLES ± 3°						
MATERIAL						
FINISH						