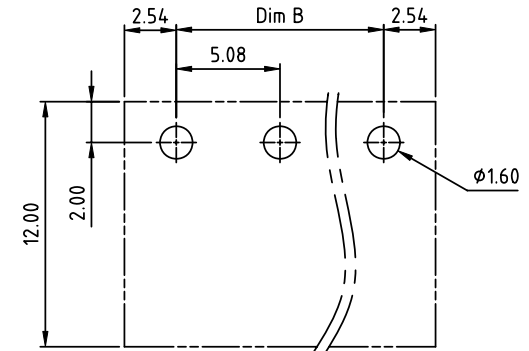
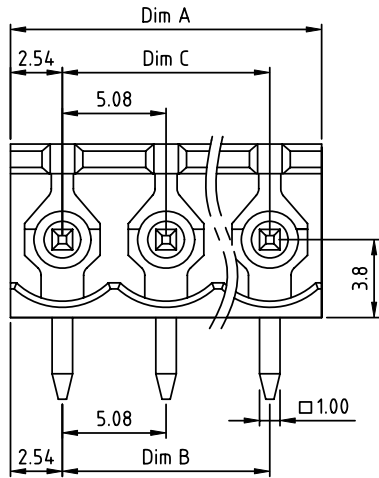
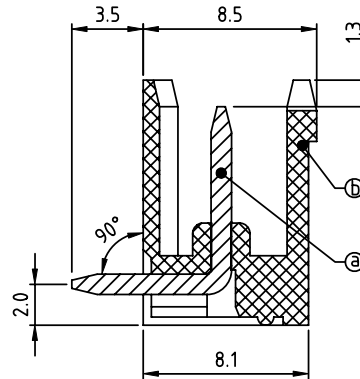
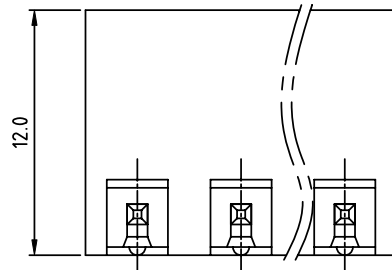


PRODUCT NUMBER	PITCH
OQxx53x100J0G	5.08 mm



RECOMMENDED P.C.B LAYOUT
TOP VIEW



Material:

- Item (a) Male contact pin: Copper Tin plated
- Item (b) Terminal housing: Thermoplastic (UL94 V-0)

Electrical:

- Voltage rating: 300V/300V/300V
- Current rating: 20A/20A/20A
- Withstanding Voltage: 1.6 KV/2.5KV/2.5KV
- Operating temperature: -40°C to +115°C
- Soldering temperature: 260°C±5°C/5 Sec
- Safety Approval:

DIMENSION

Dim A	Nx5.08
Dim B&C	(N-1)x5.08

N = Number of poles

Poles	Dim A	Dim B&C
2-6p	±0.15	±0.10
7-12p	±0.25	±0.15
13-18p	±0.30	±0.20
19-24p	±0.40	±0.30

PART NO.: OQ xx 5 3 x 100J0 G

- | | | |
|--------------|---------------------|-----------------|
| No. of poles | Body Color | RoHS compliant |
| 02 2 poles | 0 Black (RAL9005) | (lead<4%) |
| 03 3 poles | 2 Red (RAL3001/D) | In copper Alloy |
| ... | 3 Orange(RAL2011/P) | |
| 24 24 poles | 4 Yellow(RAL1018/A) | |
| | 5 Green(RAL6018/T) | |
| | 6 Blue (RAL5015/A) | |
| | 8 Grey(RAL7035/D) | |
| | 9 White(RAL1102) | |
| | C Green(RAL6018/U) | |

mat'l. code		surface ASME Y14.5	tolerance ASME Y14.5	projection	product family TERMINAL BLOCK
ltr	ecn no	dr	date		title TERMINAL BLOCK PLUGGABLE SOCKET,OPEN,RIGHT ANGLE
				MM	scale
					sheet 1 of 1 size A4
					dwg no OQxx53x100J0G
					type CUSTOMER Drawing
sheet index	revision sheet	A	1		