



FLS-A Ip

Data sheet

- provides an analogue control voltage 1...10 V or a PWM signal on a wireless controlled basis on up to 4 separate or parallel switchable channels
- per channel max. 20 mA control current
- relay for the power cut-off of the power drivers integrated (common for all channels together)
- operation via gateways or wireless switches by dresden elektronik



Technical Data



Electrical specifications

Input	85-260 V AC 50 / 60 Hz
Switching output	Relay max. 8 A / 85 - 265 V AC Switching output not secured
Control output	Four separate outputs [1 - 10 V Bus (20 mA / channel) or Open Drain PWM (max. 27 V, 20 mA / channel)]
Frequenzy range	2.4 GHz
Radio standard	IEEE 802.15.4
Standby energy consumption	< 0.5 W (0.25 W typ.)
Protection	Electronic protection
Protection category	II



Environmental information

Humidity	5 % - 85 % r.H. not condensing
Storage temperature	-20 °C - 55 °C
Operating temperature	-20 °C - 55 °C



Compatibility

Protocol	ZigBee
Profile	ZigBee Home Automation
Controlling	Exclusively with gateways from dresden elektronik

Particular markers

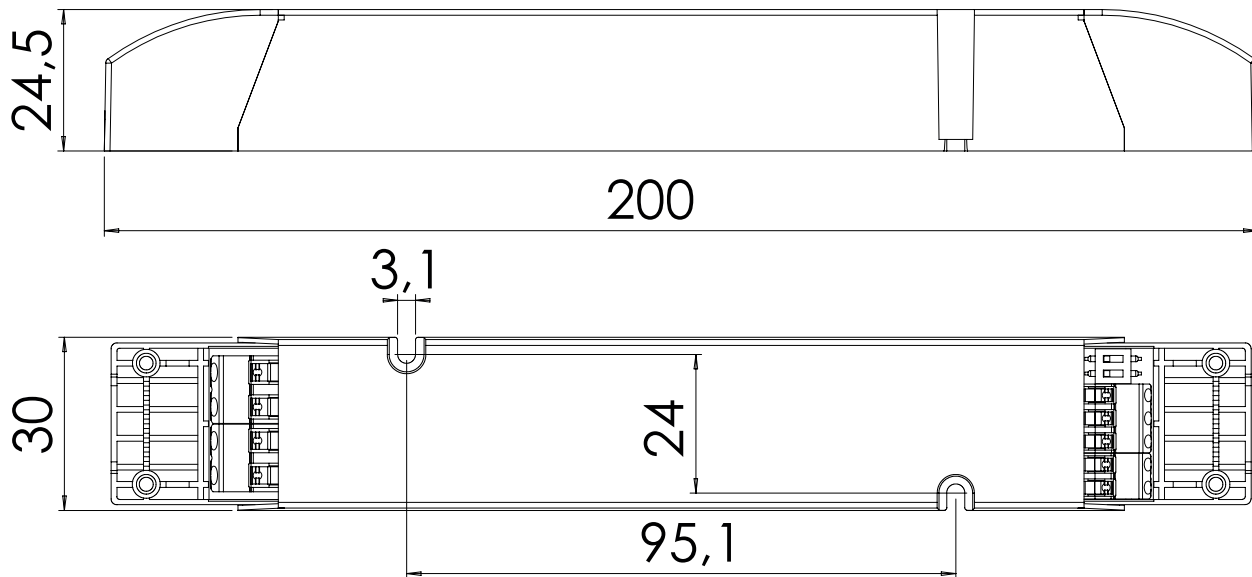


Further Information

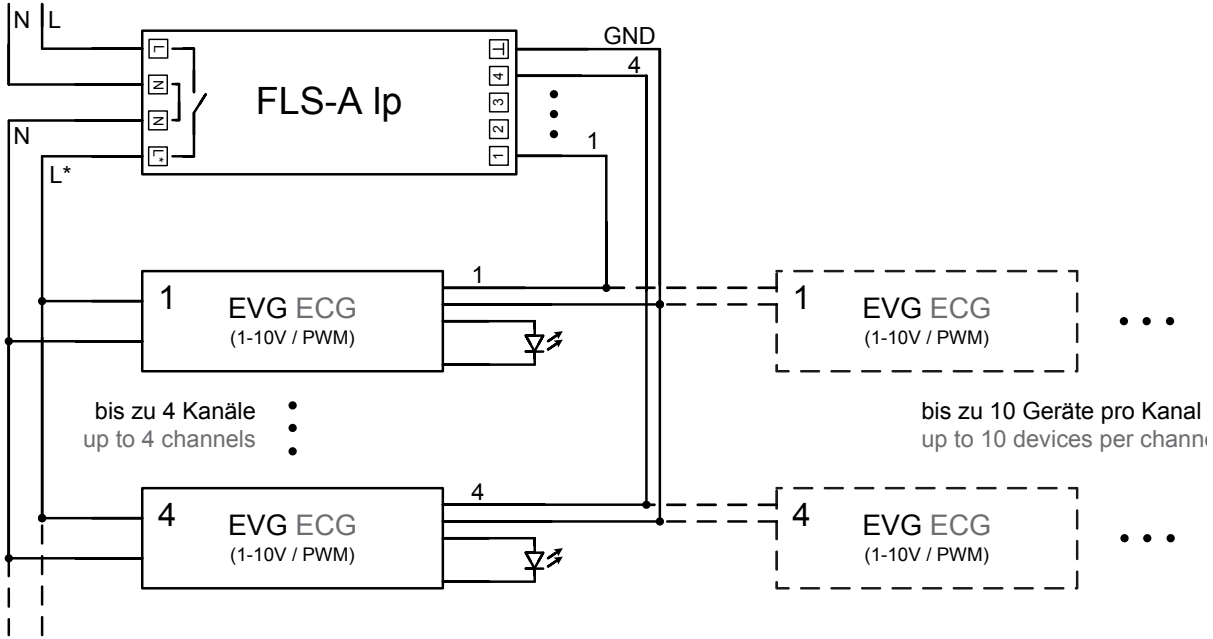
Hereby, dresden elektronik ingenieurtechnik gmbh declares that the radio equipment type FLS-A Ip is in compliance with directive 2014/53/EU. The full text of the EU declaration of conformity is available at the following internet address: www.dresden-elektronik.de

Attention: Installation only by qualified electricians!

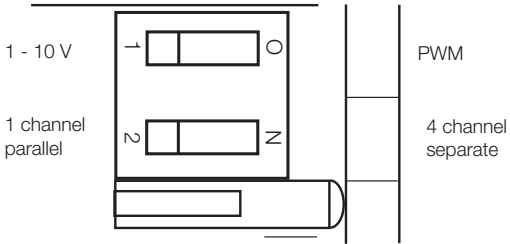
Dimensions in mm



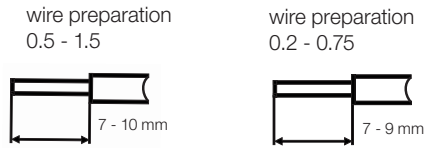
Connection diagram



Switch mode



Wire cross-section



Scope of delivery

FLS-A Ip

BN-600078

Contact

dresden elektronik ingenieurtechnik gmbh
 Enno-Heidebroek-Str. 12
 01237 Dresden | Germany

Tel: +49 351 31850-0 Fax: -10
 wireless@dresden-elektronik.de
 www.dresden-elektronik.de