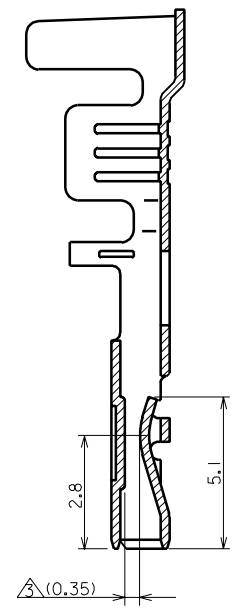
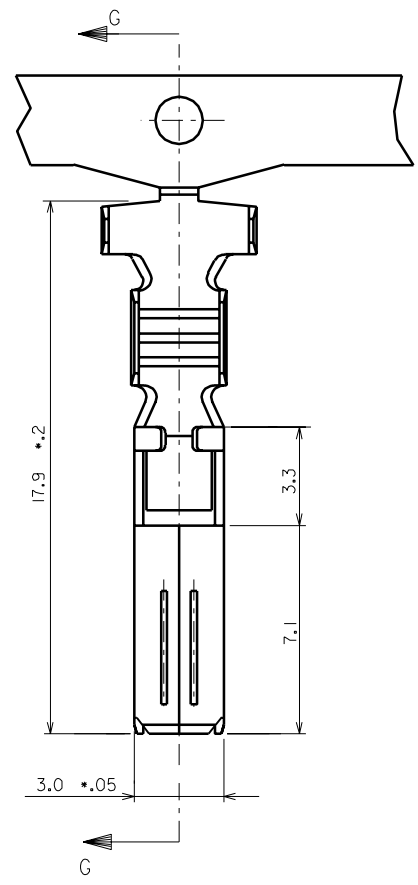
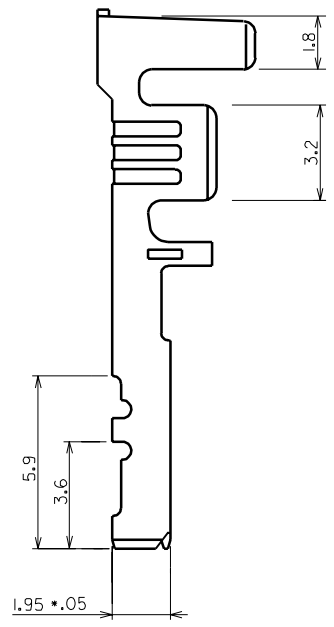
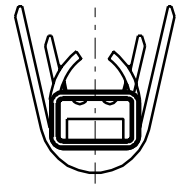
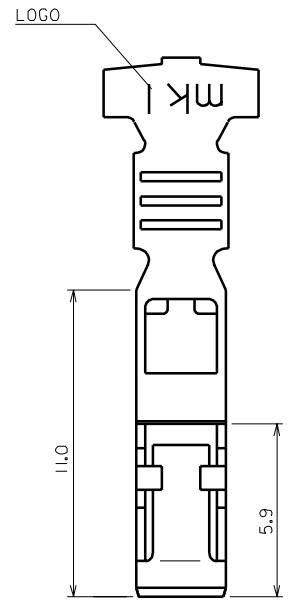


DWG. NO. SD-35028-*****
 PROJECT NO. SIMILAR ITEM
 DO NOT SCALE DRAWING DIMENSION IN METRIC



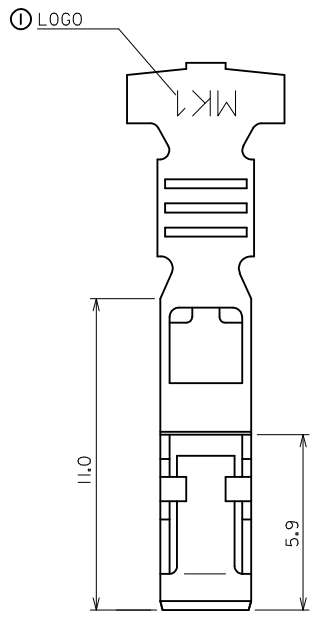
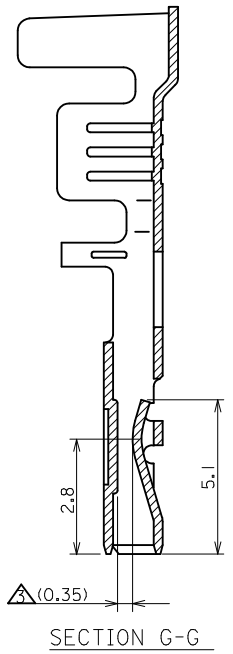
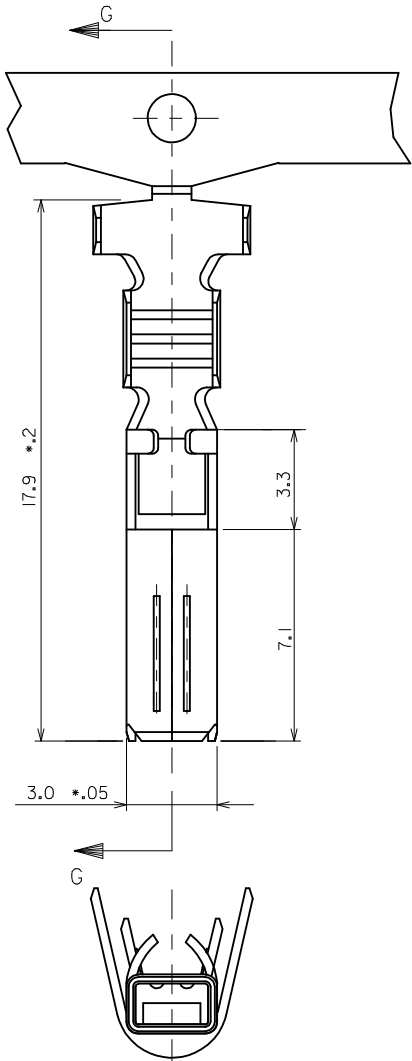
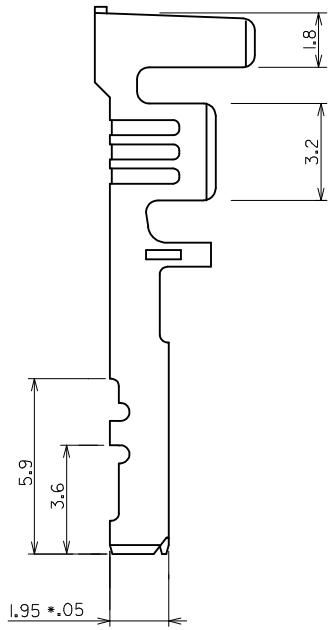
SECTION G-G



NOTES

1. MATERIAL: PHOSPHOR BRONZE
 THICKNESS : 0.30 ± 0.02
 WIDTH : 22.8 ± 0.08
2. PLATING: PREPLATING (REFLOW TREATMENT)
3. MALE TAB (THICK 0.6 ± 0.05) FIT.
 - INSERTION FORCE: 0.8Kg.f. MAX.
 - RETENTION FORCE: 0.3Kg.f. MIN.
4. WIRE SIZE : AWG #20 × 2 35028-9502
 AWG #18 × 22 35028-9010
 AWG #14 × 20 35028-1111

REVISED EC NO. KOR2002-0074 DRWN: C.B.CHIN 02/02/19 CHK: W.Y.YANG APPR: C.W.LEE	DESCRIPTION MAJOR = 0 CRITICAL = 0	GENERAL TOLERANCES: (UNLESS SPECIFIED)		SCALE 6:1	DESIGN UNITS <input checked="" type="checkbox"/> mm <input type="checkbox"/> INCH	THIRD ANGLE PROJECTION	DIMENSIONS: <input type="checkbox"/> mm <input type="checkbox"/> INCH <input checked="" type="checkbox"/> mm ONLY		SHT	REV	
		mm	INCH	DRAWN BY & DATE H.J.KIM 94/06/25	TITLE: .070 FEMALE TERMINAL						
H	REV	4 PLACES	±0.	±.	CHECKED BY & DATE B.K.CHOI 94/06/25	APPROVED BY & DATE MOLEX INCORPORATED					
		3 PLACES	±0.	±.	MATERIAL NO. SEE NOTES		DRAWING NO. SD-35028-****	SHEET NO. 10F1		SIZE B	
		2 PLACES	±0.15	±.	CAD FILENAME S35028.DGN		THIS DRAWING CONTAINS INFORMATION THAT IS PROPRIETARY TO MOLEX INCORPORATED AND SHOULD NOT BE USED WITHOUT WRITTEN PERMISSION.				
		1 PLACE	±0.15	±.	ANGULAR: ± 0.5°		MX-A3				
		DRAFT WHERE APPLICABLE MUST REMAIN WITHIN DIMENSIONS									



NOTES

- 1. MATERIAL: PHOSPHOR BRONZE
 THICKNESS : 0.30 ± 0.02
 WIDTH : 22.8 ± 0.08
- 2. PLATING: PREPLATING (REFLOW TREATMENT)
- ③ MALE TAB (THICK 0.6 ± 0.05) FIT.
 - INSERTION FORCE: 0.8Kgf. MAX.
 - RETENTION FORCE: 0.3Kgf. MIN.
- 4. WIRE SIZE : AWG #20 × 2 35028-9502
 AWG #18#22 35028-9010
 AWG #14#20 35028-1111

REVISED	EC NO: KOR2013-0059	QUALITY SYMBOLS	GENERAL TOLERANCES (UNLESS SPECIFIED)		DIMENSION STYLE		SCALE	DESIGN UNITS	THIRD ANGLE PROJECTION	
	DRWN: IHYOU 2013/01/04		mm	INCH	6/1	METRIC	DRAWN BY DATE		TITLE	
	CHKD: SHCHU		4 PLACES ± --- ± ---	H. J. KIM 1994/06/25	SEE TABLE		MATERIAL NO. DOCUMENT NO.			
	APPR: YSKI M02 2013/01/04		3 PLACES ± --- ± ---	CHECKED BY DATE					SHEET NO.	
DESCRIPTION	2 PLACES ± 0.15 ± ---	B. K. CHO 1994/06/25	THIS DRAWING CONTAINS INFORMATION THAT IS PROPRIETARY TO MOLEX INCORPORATED AND SHOULD NOT BE USED WITHOUT WRITTEN PERMISSION							
REV	1 PLACE ± 0.15 ± ---	APPROVED BY DATE			DRAFT WHERE APPLICABLE MUST REMAIN WITHIN DIMENSIONS					
	0 PLACE ± --- ± ---	YSKIM02 2013/01/04	SIZE A3							
	ANGULAR ± .5 °									