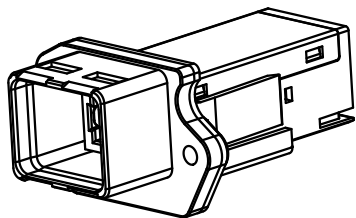
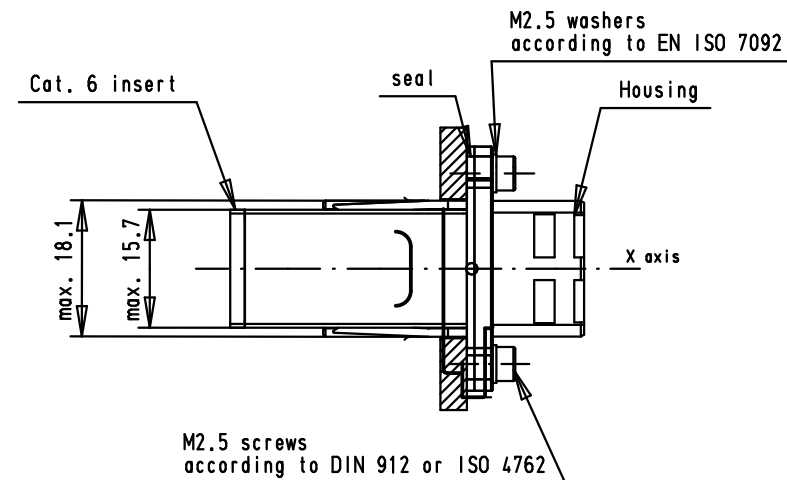




Connector pitches on panel:
 Axis X=27mm and Axis Y=21mm
 Receptacle according to
 60076-3-106 IEC - variant 4
 Mating reference A and B
 according to IEC 60603-7

Screwing by 2x M2.5 screws with torque 0.3N.m to 0.5N.m
 with M2.5 flat washer under the screw.



				Dat.	Name	 All Dim. in mm Orig. Size DIN A 4	HARTING PUSH-PULL PLASTIC RECEPTACLE M2.5 HOUSING WITH CLIPS FOR Cat.6 INSERT	Maßstab/ Scale 1 : 1
			Detail.	25/05/10	AB			
			Insp.					
			Stand.					
36075	25/05/10	AB	HARTING EURL F-95972 Paris				TB 09 45 245 1560	Blatt/ Page 1 / 1
Mod.	Dat.	Name					Sub.	