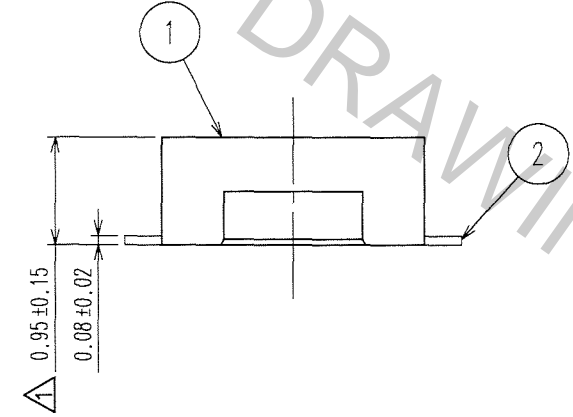
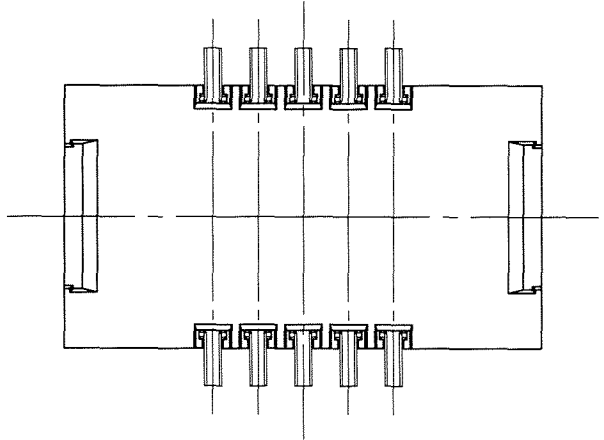
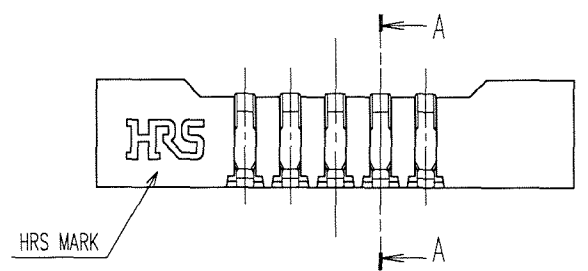
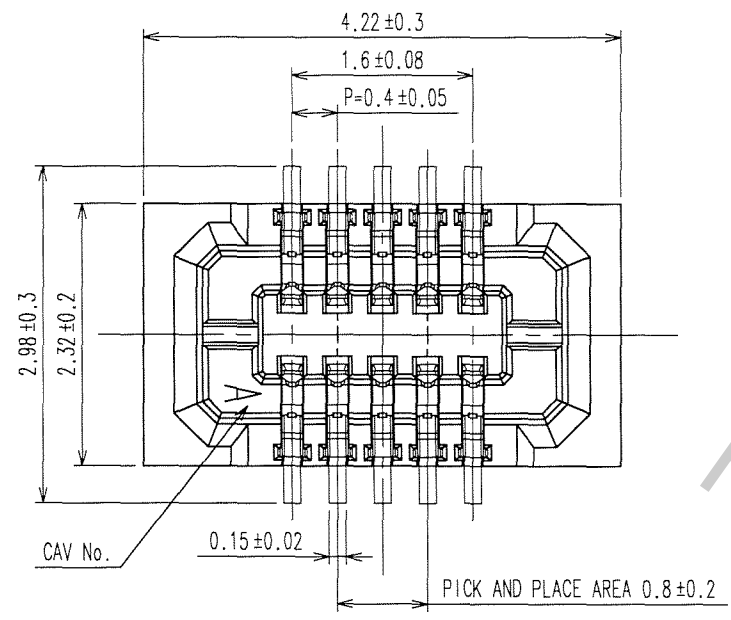
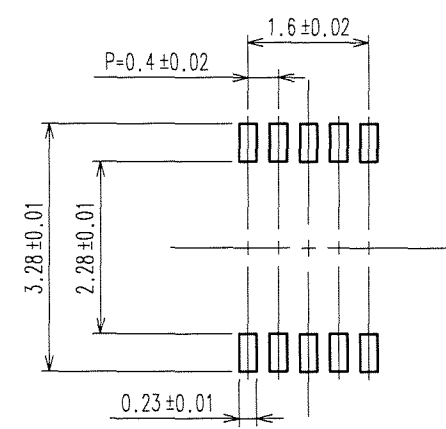


Apr.1.2017 Copyright 2017 HIROSE ELECTRIC CO., LTD. All Rights Reserved.

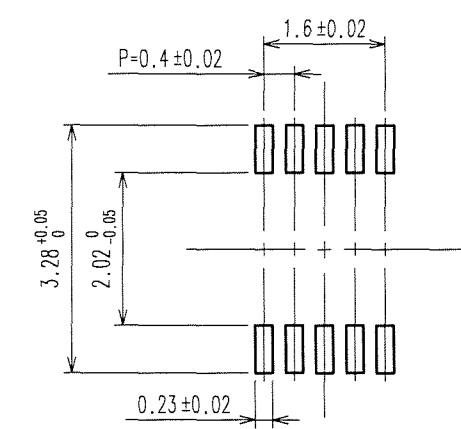
COUNT	DESCRIPTION OF REVISIONS	BY	CHKD	DATE	COUNT	DESCRIPTION OF REVISIONS	BY	CHKD	DATE
4	DIS-H-002764	R.S	K.M	08.01.29					



RECOMMENDED METAL MASK OPENING PATTERN

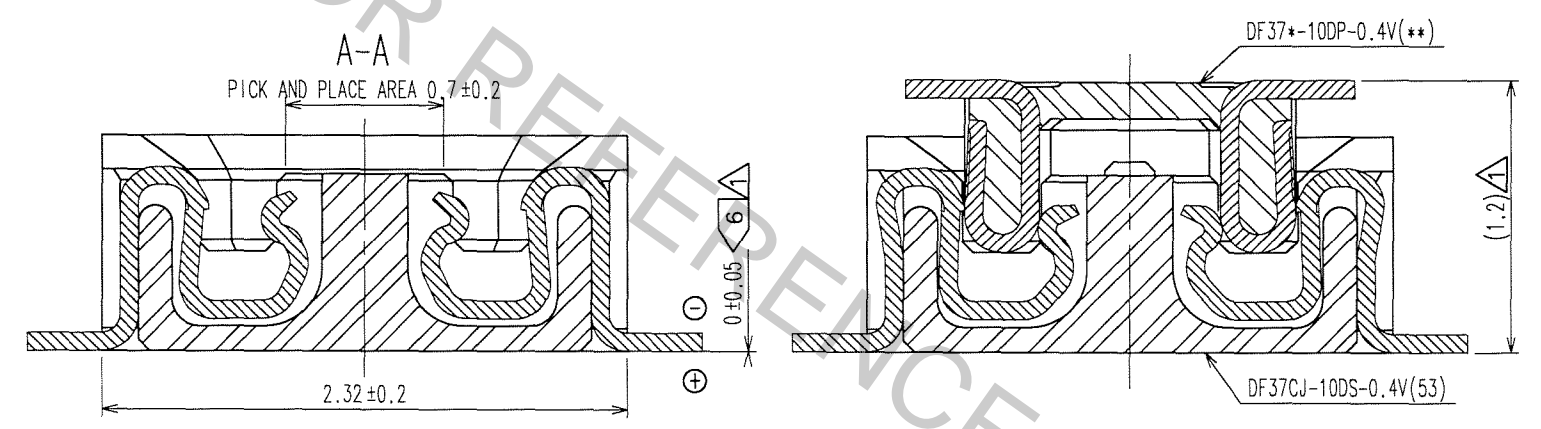


RECOMMENDED PATTERN



RECOMMENDED SOLDER PASTE: THICKNESS 120μ m

ENGAGEMENT FIGURE



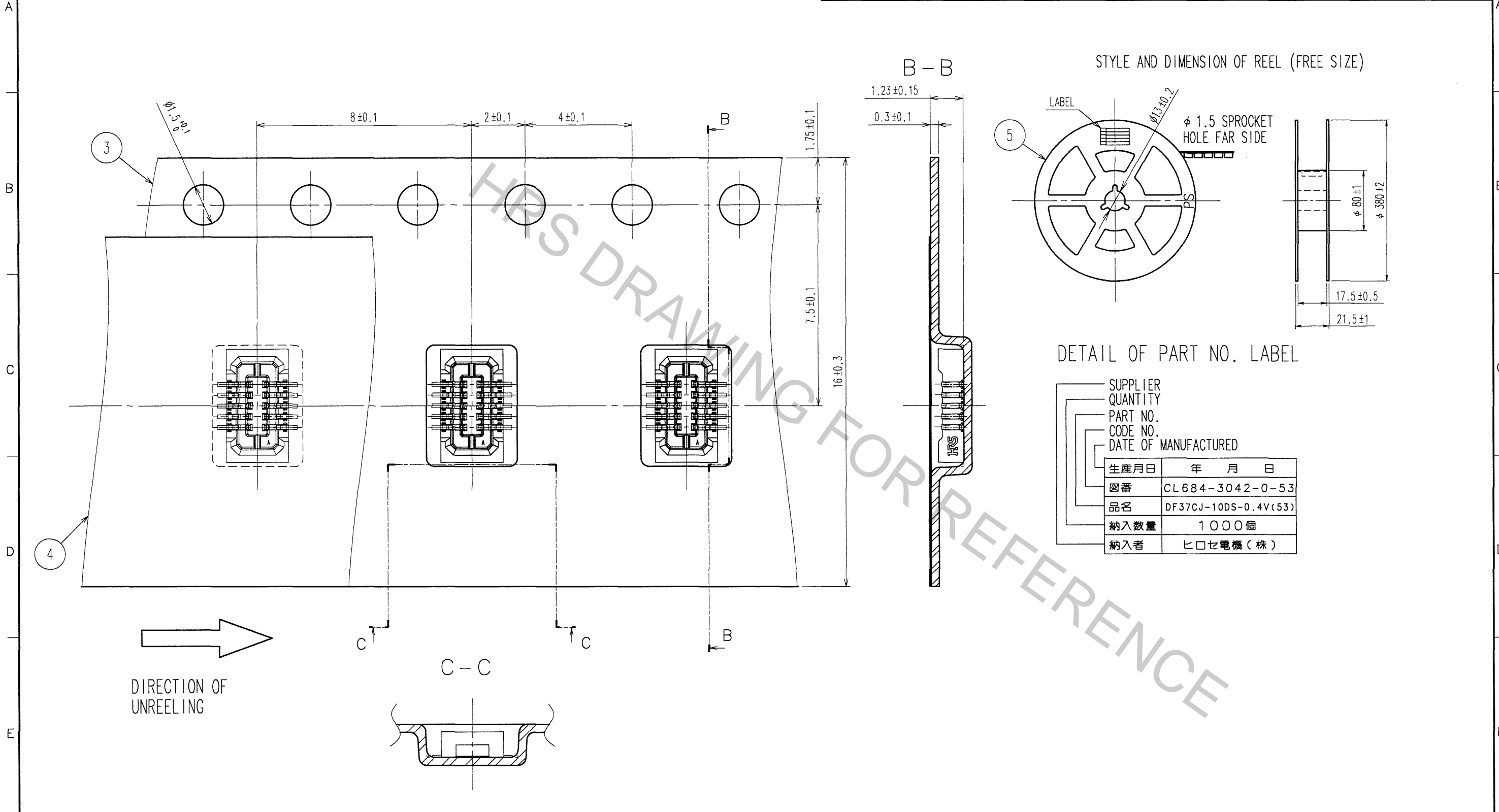
- NOTE 1. ALL LEADS CO-PLANARITY SHALL BE 0.1 MAX.
 2. PER REEL : 1000 CONNECTORS.
 3. AT THE BEGINNING OF THE REEL, 100 mm AT MIN SHALL BE EMPTY POCKETS.
 AT THE END OF THE REEL, 160 mm AT MIN SHALL BE EMPTY.
 4 CONTACT PLATING SPECIFICATIONS.
 CONTACT AREA : GOLD 0.05μ m MIN.
 SMT LEAD : GOLD 0.05μ m MIN.
 UNDERPLATING : NICKEL 1μ m MIN.
 (SURFACE : SEALING)
 5. PEEL FORCE OF COVER TAPE REFERS TO JIS C 0806.
 6. PROTRUTION OF CONTACT FROM HOUSING UNDERSIDE.

TO

3	PS	CLEAR(EMBOSSD CARRIER TAPE)	5	PS	PLASTIC REEL (BLACK)	
2	PHOSPHOR BRONZE	4	4	POLYESTER	CLEAR(COVER TAPE)	
1	LCP	UL94V-0, BLACK				
NO.	MATERIAL	FINISH, REMARKS	NO.	MATERIAL	FINISH, REMARKS	
CODE NO. (OLD)		DRAWN	DESIGNED	CHECKED	APPROVED	RELEASED
		N.Yamashiro	T.Ooi	K.Ikeda	M.Nakamura	
		'07.07.21	'07.07.21	'07.07.23	'07.07.23	
DRAWING NO.		PART NO.				
EDC3-313138-03		DF37CJ-10DS-0.4V(53)				
SCALE		CODE NO.				
FREE		CL684-3042-0-53		1/2		
UNITS		HIROSE ELECTRIC CO., LTD				
mm						

Apr.1.2017 Copyright 2017 HIROSE ELECTRIC CO., LTD. All Rights Reserved.

5				6				7				8			
COUNT	DESCRIPTION OF REVISIONS	BY	CHKD	DATE	COUNT	DESCRIPTION OF REVISIONS	BY	CHKD	DATE	COUNT	DESCRIPTION OF REVISIONS	BY	CHKD	DATE	
△					△					△					
△					△					△					
△					△					△					



TO

CODE NO. (OLD)	DRAWN N.Yamashiro '07.07.21	DESIGNED T.Ooi '07.07.21	CHECKED K.Ikeda '07.07.23	APPROVED M.Nakamura '07.07.23	RELEASED ..
SCALE FREE: 1	DRAWING NO. EDC3-313138-03		PART NO. DF37CJ-10DS-0.4V(53)		
UNITS mm	HRS HIROSE ELECTRIC CO., LTD		CODE NO. CL684-3042-0-53		2