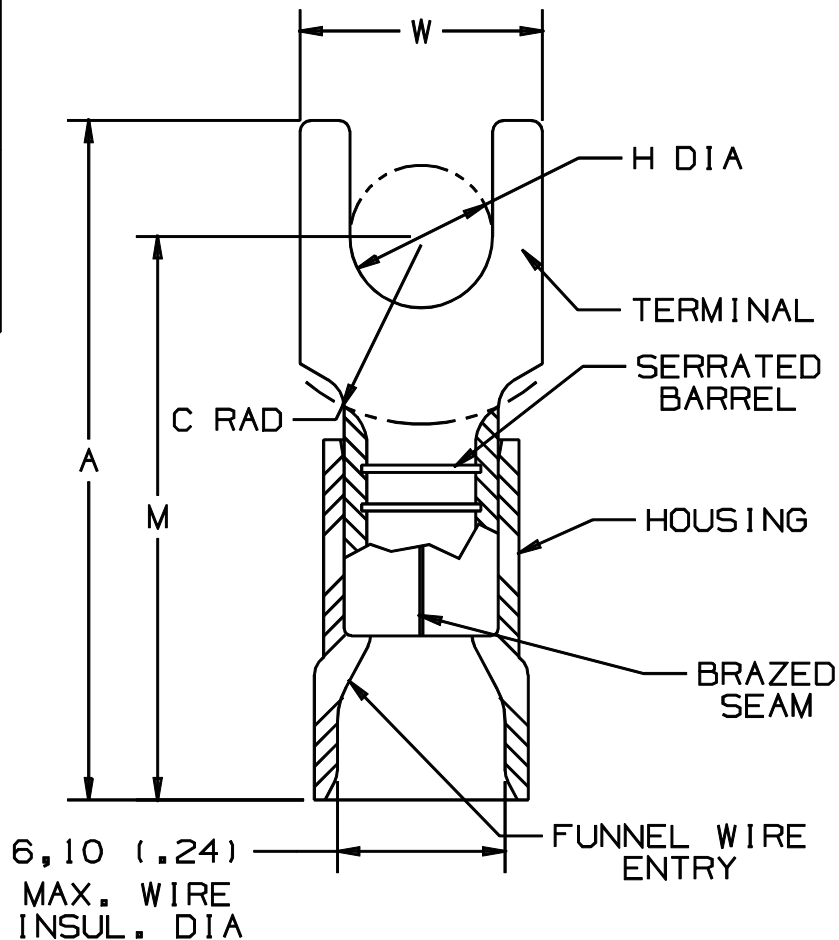


THIS COPY IS PROVIDED ON A RESTRICTED BASIS AND IS NOT TO BE USED IN ANY WAY DETRIMENTAL TO THE INTERESTS OF PANDUIT CORP.

PANDUIT PART #		STUD SIZE	DIMENSIONS mm				
PREFIX	PK		A ±0,51	W ±0,25	C ±0,38	M ±0,51	H ±0,25
PMV6-4F	-L -D	M4	26,42 (1.04)	8,13 (.32)	5,59 (.22)	20,57 (.81)	4,32 (.17)
PMV6-5F	-L -D	M5	26,42 (1.04)	9,65 (.38)	5,59 (.22)	20,57 (.81)	5,33 (.21)
PMV6-6F	-L -D	M6	29,46 (1.16)	10,92 (.43)	8,13 (.32)	23,11 (.91)	6,60 (.26)



NOTES:

- USED FOR:
  - A. 600V MAX. VOLTAGE RATING
  - B. 105°C (221°F) MAX. TEMP. RATING
  - C. 2,5-6,0mm<sup>2</sup> (#12-10 AWG) STRANDED, COPPER WIRE (4,0-6,0mm<sup>2</sup> WITH CT-1551M)
- MATERIAL:
  - A. STAMPING - 1,02mm (.04) THK COPPER, TIN PLATED
  - B. HOUSING - YELLOW VINYL
- DIMENSIONS IN BRACKETS ARE IN INCHES
- PACKAGE QTY:
  - A. STD: L=50
  - B. BULK: D=500
- WIRE STRIP LENGTH: 7,9 <sup>+0,8</sup> (5/16 <sup>+1/32</sup>) <sub>-0</sub> <sub>-0</sub>
- INSTALLATION TOOLS: REF. DWGS. A41522, A41523, A41524, A41525

A41424\_02

02	10/97	TM		CHANGED DECIMAL POINTS TO COMMAS					
01	3/97	JKD	SKB	ADDED CT-1551M TO NOTE, BRAZED SEAM WAS BUTTED, REMOVED "B" FROM PART NO.	05703	LA	DH		2PC. VINYL INSULATED METRIC FORKS 2,5-6,0mm <sup>2</sup> BARREL
00	7-90	BK	RLS	RELEASED	00687	LA	KRS		
REV	DATE	BY	CHK	DESCRIPTION	ECN #	CUST	PM	DRAWN BY BDK Ck'D RLS SCALE NONE DRAWING NO. A41424	