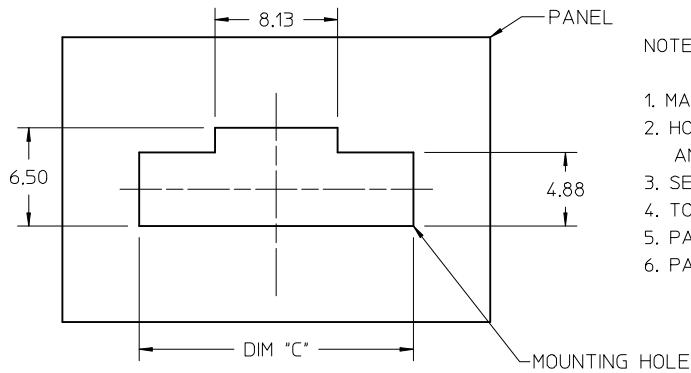


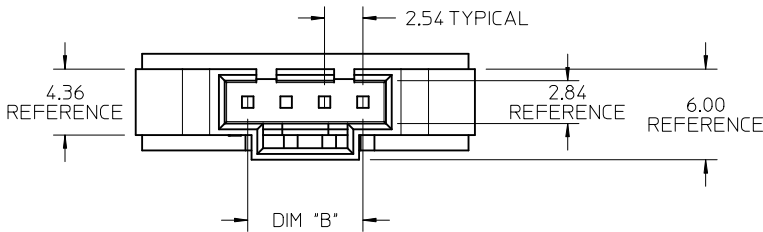
CKT	VERSION F W/ LATCHES	DIM "A"	DIM "B"	DIM "C"	DIM "D"
	EDP. NO.				
2	70107-5036	16.51	2.54 +/-0.08	13.08	16.3
3	70107-5037	19.05	5.08 +/-0.08	15.62	18.9
4	70107-5038	21.59	7.62 +/-0.10	18.61	21.4
5	70107-5039	24.13	10.16 +/-0.10	20.70	23.9
6	70107-5040	26.67	12.70 +/-0.10	23.24	26.5
7	70107-5041	29.21	15.24 +/-0.10	25.78	29.0
8	70107-5042	31.75	17.78 +/-0.10	28.32	31.6



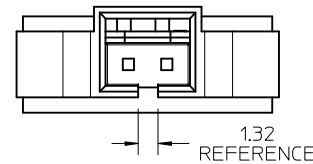
NOTES:

1. MATERIAL: GLASS FILLED POLYESTER, UL 94V-0, COLOR: BLACK.
2. HOUSING TO BE USED WITH TERMINAL PART NUMBER 70021-****, AND TERMINAL POSITION ASSURANCE 73838.
3. SEE TABLE FOR CIRCUIT SIZES.
4. TO BE USED WITH 70400 SERIES CONNECTORS (STYLE "G").
5. PANEL THICKNESS 0.81-2.36
6. PACKAGE PER PK-70107-100.

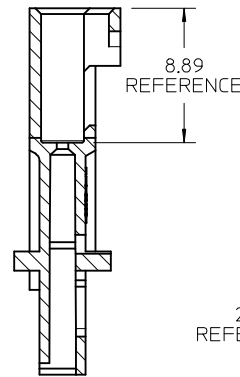
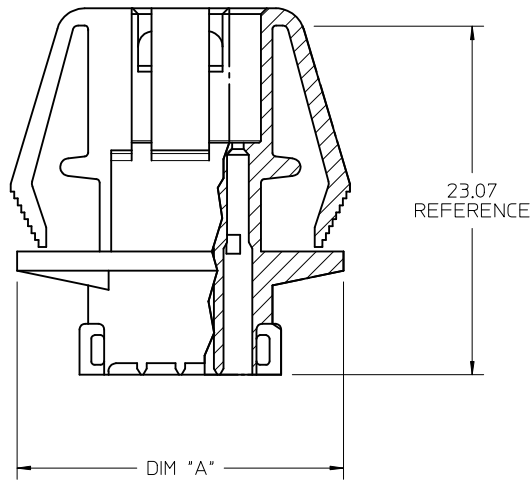
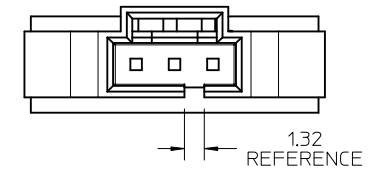
RECOMMENDED MOUNTING HOLE LAYOUT



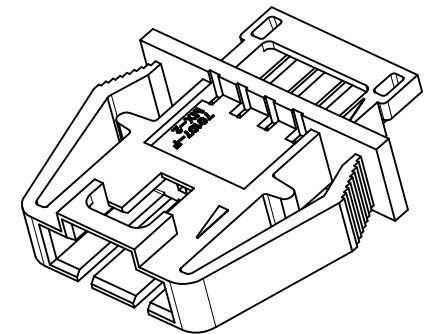
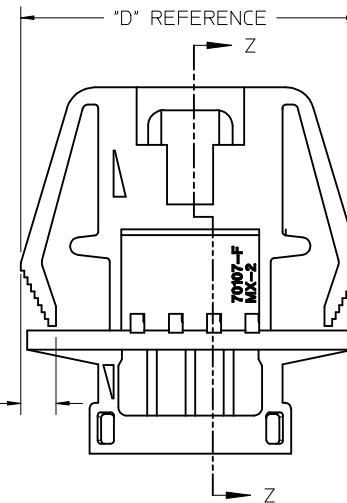
2 CIRCUIT



3 CIRCUIT



SECTION Z-Z



ADD DIM "D" EC NO: UCP2015-1922 DRWN: MPOFF 2014/11/06 CHKD: TIBARRA 2014/11/06 APPR: SMILLER 2014/11/11	QUALITY SYMBOLS ▽=0 ▽=0 ▽=0	GENERAL TOLERANCES (UNLESS SPECIFIED)		DIMENSION STYLE MM ONLY		SCALE 4:1	DESIGN UNITS METRIC	THIRD ANGLE PROJECTION		
				mm	INCH	DRAWN BY RWHIPPLE	DATE 2014/06/27	TITLE HOUSING, CONNECTOR (2.54)/100 GRID VERSION F WITH LATCHES molex		
				4 PLACES ± ---	± ---	CHECKED BY MPOFF	DATE 2014/06/28			
				3 PLACES ± ---	± ---	APPROVED BY SMILLER	DATE 2014/07/18	MATERIAL NO.	DOCUMENT NO.	SHEET NO.
				2 PLACES ± 0.25	± ---	DRAFT WHERE APPLICABLE MUST REMAIN WITHIN DIMENSIONS		SEE TABLE	SD-70107-503	1 OF 1
		1 PLACE ± 0.35	± ---			THIS DRAWING CONTAINS INFORMATION THAT IS PROPRIETARY TO MOLEX INCORPORATED AND SHOULD NOT BE USED WITHOUT WRITTEN PERMISSION				
		0 PLACE ± ---	± ---							