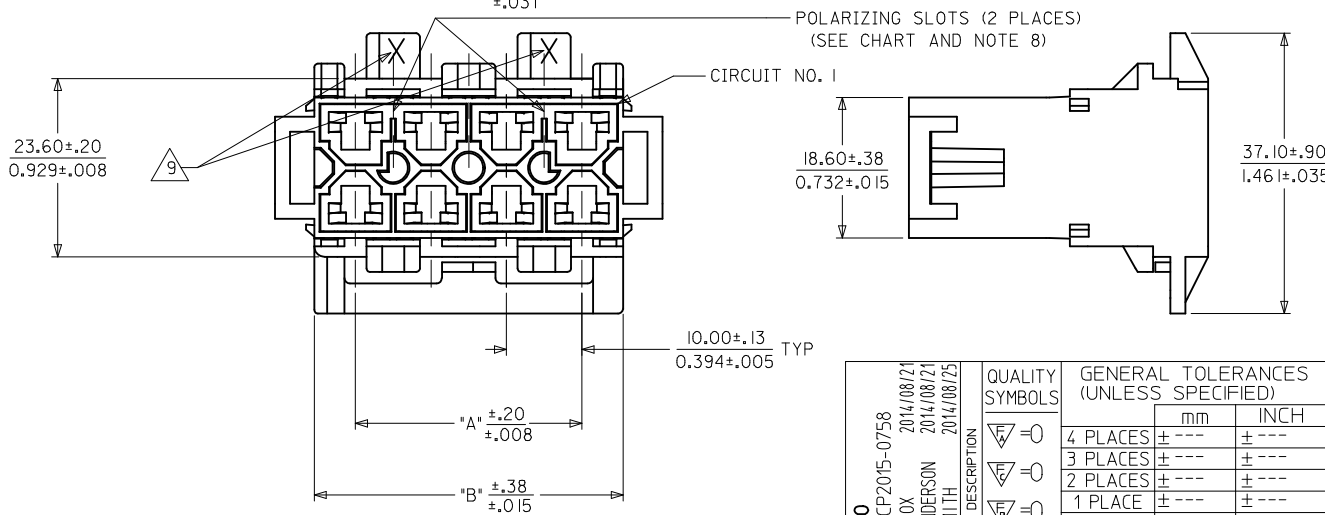
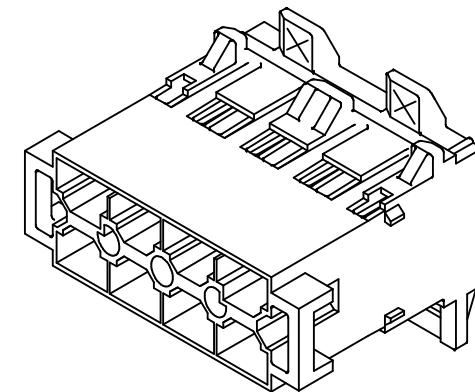
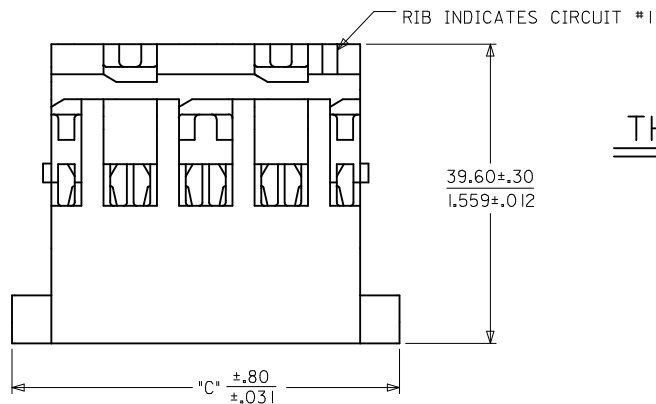


MATERIAL NUMBER	POSITION NUMBER	DIM. "A"	DIM. "B"	DIM. "C"	QUANTITY OF POLARIZING SLOTS	PANEL THICKNESS ACCOMMODATED
43938-2201	6	20.00 .787	30.90 1.216	41.30 1.626	1	1.30/1.76 .051/.069
43938-2202	8	30.00 1.181	40.90 1.610	51.30 2.020	2	
43938-2203	10	40.00 1.575	50.90 2.004	61.30 2.413	2	
43938-2204	12	50.00 1.968	60.90 2.398	71.30 2.807	2	
43938-2205	14	60.00 2.362	70.90 2.791	81.30 3.201	2	

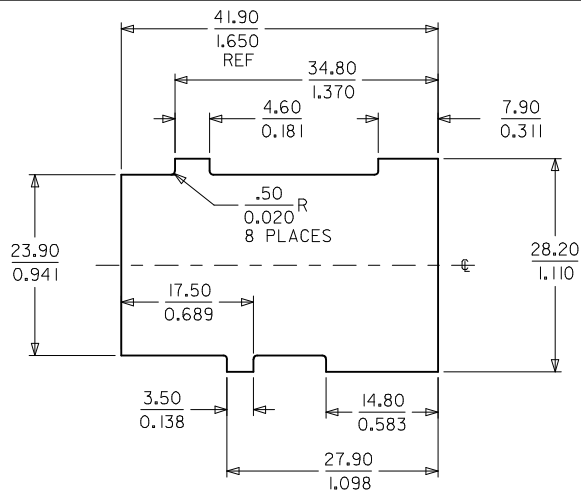
NOTES:

- MATERIAL: UNFILLED POLYESTER, U.L. 94V-0, COLOR: BLACK
- FINISH: NONE
- PRODUCT SPEC: PS-42815-001
- THIS PART IS DESIGNED TO USE MALE CRIM PTERMINAL #42817
- THIS PART IS DESIGNED TO USE T.P.A. #43980
- THIS PART IS DESIGNED TO MATE WITH RECEPTACLE HOUSING #43914
- SEE SHEET 2 FOR PANEL CUT-OUT DETAILS
- POLARIZING SLOTS TO BE LOCATED BETWEEN CIRCUITS ON EITHER END OF HOUSING OF THE CIRCUIT 1 ROW AS SHOWN.
EXCEPTION: THE 6 CIRCUIT HOUSING WILL HAVE A SINGLE SLOT ON THE CIRCUIT 1 END ONLY
- AN "X" IS ENGRAVED AS SHOWN TO DESIGNATE THAT THE PART ACCOMMODATES A 1.30/1.76 PANEL THICKNESS
- PARTS TO BE PACKAGED: 6~10 CKT PER PK-43938-001, 12~14 CKT PER PK-45286-002

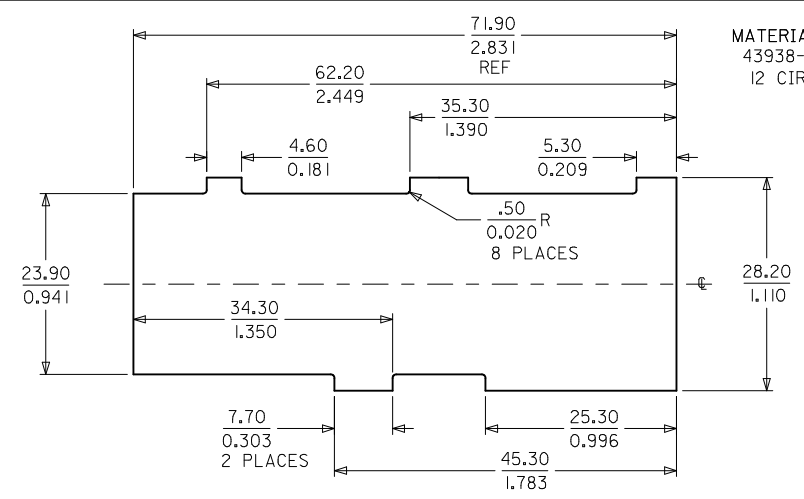
THIS PRODUCT MUST NOT BE USED WITHOUT THE T.P.A.



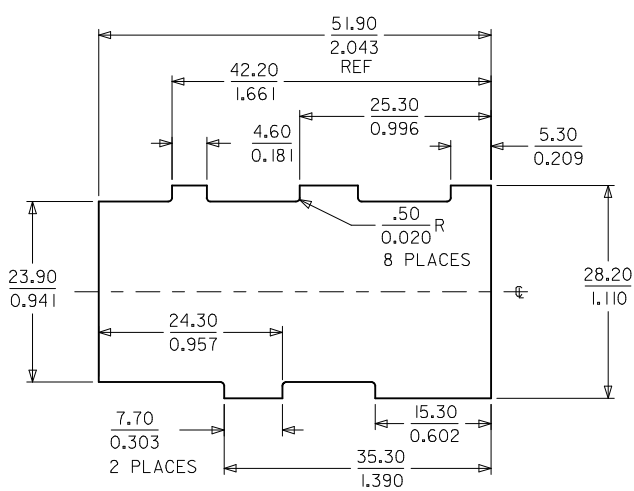
NOTE 10 EC NO: UCP2015-0758 DRWN: JDFOX 2014/08/21 CHKD: BANDERSON 2014/08/21 APPR: FSMITH 2014/08/25 REV: A2	QUALITY SYMBOLS ▽=0 ▽=0 ▽=0	GENERAL TOLERANCES (UNLESS SPECIFIED) <table border="1"> <thead> <tr> <th></th> <th>mm</th> <th>INCH</th> </tr> </thead> <tbody> <tr> <td>4 PLACES</td> <td>±.008</td> <td>±.0003</td> </tr> <tr> <td>3 PLACES</td> <td>±.005</td> <td>±.0002</td> </tr> <tr> <td>2 PLACES</td> <td>±.003</td> <td>±.0001</td> </tr> <tr> <td>1 PLACE</td> <td>±.002</td> <td>±.00008</td> </tr> <tr> <td>0 PLACE</td> <td>±.001</td> <td>±.00004</td> </tr> </tbody> </table>		mm	INCH	4 PLACES	±.008	±.0003	3 PLACES	±.005	±.0002	2 PLACES	±.003	±.0001	1 PLACE	±.002	±.00008	0 PLACE	±.001	±.00004	DIMENSION STYLE IN/MM DRAWN BY DATE JDFOX 2014/08/21 CHECKED BY DATE BANDERSON 2014/08/21 APPROVED BY DATE FSMITH 2014/08/25	SCALE 2:1 DESIGN UNITS INCH THIRD ANGLE PROJECTION	TITLE DUAL ROW PANEL MOUNT PLUG, 6-14 CIRCUIT, MINI-FIT SR. SERIES molex
		mm	INCH																				
	4 PLACES	±.008	±.0003																				
	3 PLACES	±.005	±.0002																				
2 PLACES	±.003	±.0001																					
1 PLACE	±.002	±.00008																					
0 PLACE	±.001	±.00004																					
DRAFT WHERE APPLICABLE MUST REMAIN WITHIN DIMENSIONS		MATERIAL NO. SEE CHART	DOCUMENT NO. SD-43938-003	SHEET NO. 1 OF 2																			
THIS DRAWING CONTAINS INFORMATION THAT IS PROPRIETARY TO MOLEX INCORPORATED AND SHOULD NOT BE USED WITHOUT WRITTEN PERMISSION																							



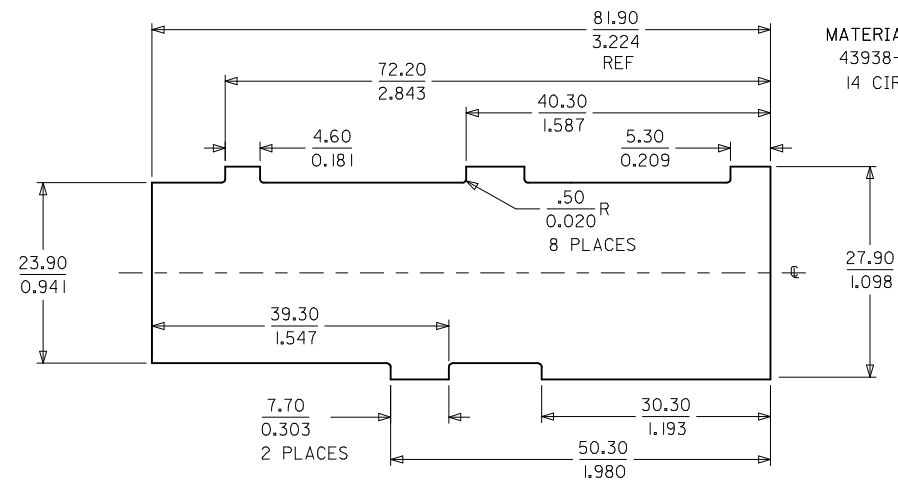
MATERIAL NO.:
43938-2201
6 CIRCUIT



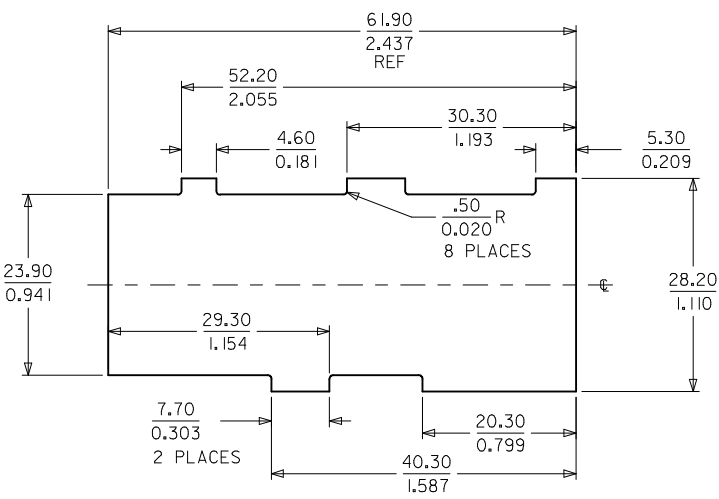
MATERIAL NO.:
43938-2204
12 CIRCUIT



MATERIAL NO.:
43938-1102
43938-2202
8 CIRCUIT



MATERIAL NO.:
43938-2205
14 CIRCUIT



MATERIAL NO.:
43938-2203
10 CIRCUIT

PANEL OPENINGS SHOWN FROM OUTSIDE OF BOX.
SEE CHART FOR PANEL THICKNESS.

SEE SHEET 1 EC NO: UCP2015-0758 DRWN: JDOX 2014/08/21 CHKD: BANDERSON 2014/08/21 APPR: FSMITH 2014/08/25	QUALITY SYMBOLS 	GENERAL TOLERANCES (UNLESS SPECIFIED)		DIMENSION STYLE		SCALE	DESIGN UNITS	THIRD ANGLE PROJECTION		
				IN/MM		2:1	INCH			
				DRAWN BY		DATE			TITLE	
				JDOX		2014/08/21			DUAL ROW PANEL MOUNT PLUG, 6-14 CIRCUIT, MINI-FIT SR. SERIES	
		CHECKED BY		DATE		DOCUMENT NO.		SHEET NO.		
		BANDERSON		2014/08/21		SD-43938-003			2 OF 2	
		APPROVED BY		DATE		THIS DRAWING CONTAINS INFORMATION THAT IS PROPRIETARY TO MOLEX INCORPORATED AND SHOULD NOT BE USED WITHOUT WRITTEN PERMISSION				
		FSMITH		2014/08/25						
		ANGULAR ±1/2°		MATERIAL NO.						
		DRAFT WHERE APPLICABLE MUST REMAIN WITHIN DIMENSIONS		SEE CHART						