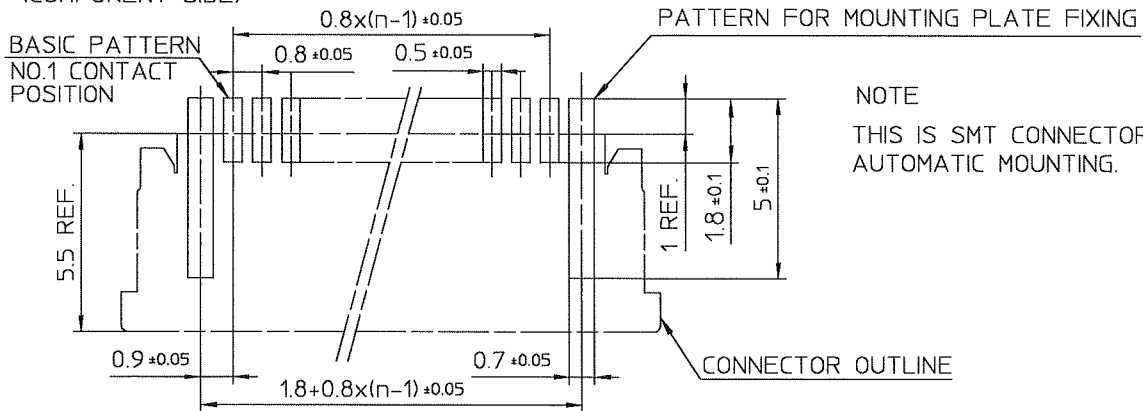


PT. NO.	PARTS NAME	MATERIAL	Q'TY	NOTE
1	HOUSING	PPS RESIN GLASS REINFORCED (UL94V-0)	1	COLOR : BLACK
2	SLIDER		1	COLOR : BEIGE
3	CONTACT	PHOSPHOR BRONZE	n	PLATING : TIN ALLOY
4	MOUNTING PLATE		2	

n : NO. OF CONTACTS

RECOMMENDED PC BOARD LAYOUT
(COMPONENT SIDE)



mat'l. code				surface ISO 1302 ✓		tolerance ISO 406 ISO 1101		projection 		product family 58BF	
ltr	ecn no	dr	date	tolerances unless otherwise specified				title 0.8mm SPACING CONNECTOR FOR CIC (CAT.No.SFR__R-5ST__)		dwg no JSA 92931	
AA	J04-0357	H.T	Oct.13/04	angles	linear						
AB	J06-0485	H.T	11/20/06	dr engr chr appd						sheet 1 of 1	
				11/20/06 11/20/06 11/20/06 11/21/06						size A4	
sheet index		revision sheet	AB 1					type Product Customer Drawing		Rev AB	

SC-SFR03 JSA92930 form: A4