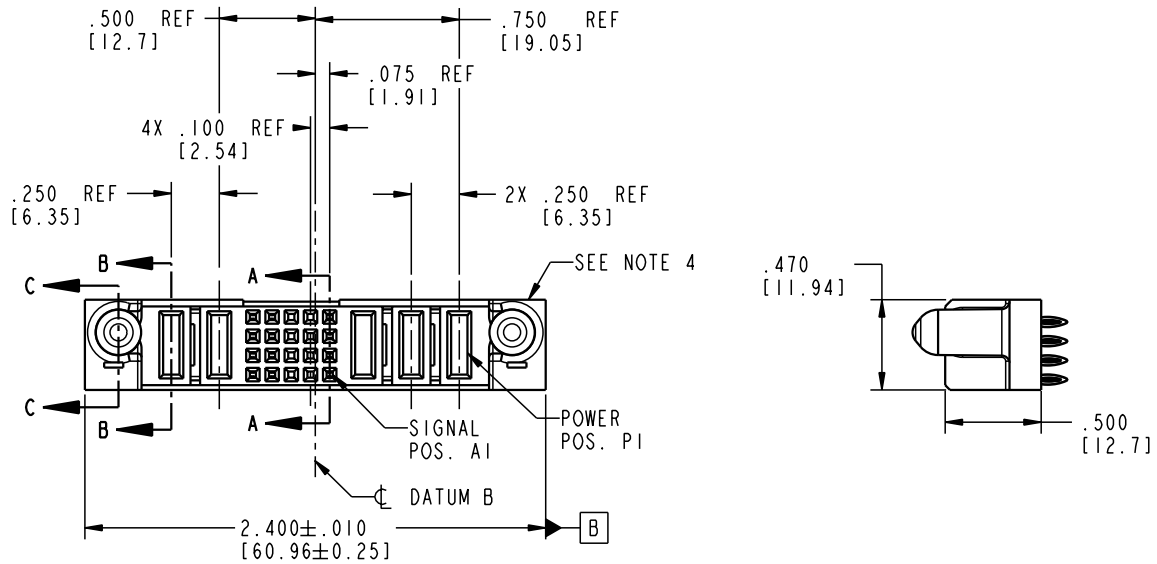


Tous droits strictement réservés. Reproduction ou communication o des tiers interdite sous quelque forme que ce soit sans autorisation écrite du propriétaire. Propriété de c FCI. Droits de reproduction FCI.

All rights strictly reserved. Reproduction or issue to third parties in any form, whenever is not permitted without written authority from the proprietor. Property of FCI. Copyright FCI.



PRODUCT NO.	ROWS	POWER		SIGNAL					POWER					
		E2	P5	P4	5	4	3	2	1	P3	P2	P1	E1	
51750-063	D C B A		PF	PC	F	F	X	X	F	F	PC	PF	PC	



CODE	DIM "M" MATING LENGTH	CONTACT TYPE
F	N/A [N/A]	SIGNAL
PC	.042 [1.07]	POWER
PF	.092 [2.34]	POWER

mat'l code				SEE NOTE 2		tolerances unless otherwise specified		CUSTOMER		www.fciconnect.com	
ltr	ecn no.	dr	date	linear	.XX±.01/0.X±0.3		COPY		title		
A	V04-1025	TAB	10/18/04		.XXX±.005/0.XX±0.13		projection		3P + 20S + 2P		
				angles	.XXX±.0020/0.XXX±0.051				VERTICAL PRESS-FIT RECEPT		
				dr	T. BRUNGARD	10/18/04	INCH/MM		product family		code
				engr	M. GRAY	10/18/04			PwrBlade		213
				chr	M. GRAY	10/18/04	scale		size		sheet
				appd	M. GRAY	10/18/04	1:1		A		51750-063
sheet index		revision sheet	A A	A A	A A						1 of 4

Tous droits strictement reserves. Reproduction ou communication a des tiers interdite sous quelque forme que ce soit sans autorisation ecrite du proprietaire. Propriete de c FCI. Droits de reproduction FCI.

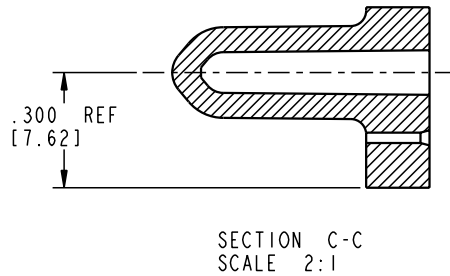
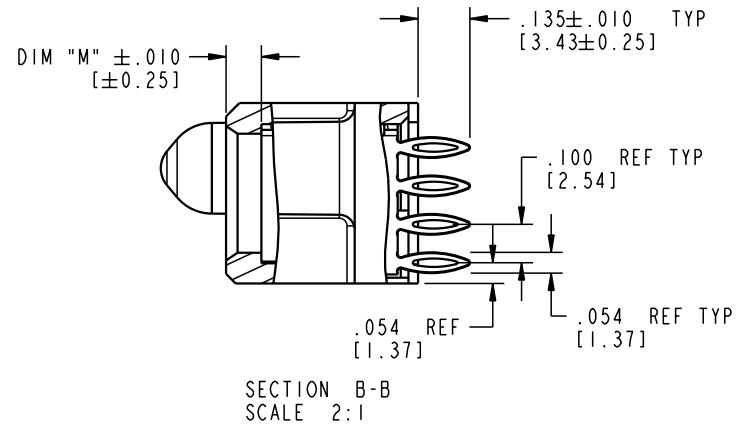
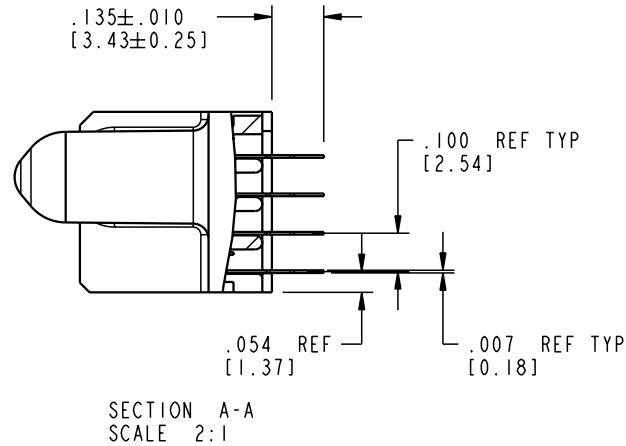
A
FCI

All rights strictly reserved. Reproduction or issue to third parties in any form whatever is not permitted without written authority from the proprietor. Property of FCI. Copyright FCI.

A

A

PRODUCT NUMBER
51750-063



mat'l code				SEE NOTE 2		tolerances unless otherwise specified		CUSTOMER		 www.fciconnect.com	
ltr	ecn no.	dr	date	linear	.XX±.01/0.X±0.3		COPY		 title 3P + 20S + 2P		
A					.XXX±.005/0.XX±0.13		projection		VERTICAL PRESS-FIT RECEIPT		
				angles	.XXX±.0020/0.XXX±0.051		 INCH/MM		product family		code
				dr	T. BRUNGARD	10/18/04	scale		PwrBlade		213
				enr	M. GRAY	10/18/04	1:1		size		sheet
				chr	M. GRAY	10/18/04			A		51750-063
				appd	M. GRAY	10/18/04					2 of 4
sheet index		revision sheet									

B

B

1 | 2

3 |

4

1 | 2

Pro/E

3 |

cage code **22526**

4

PDM: Rev:A

STATUS: **Released**

Printed: Dec 20, 2010

Tous droits strictement réservés. Reproduction ou communication o des tiers interdite sous quelque forme que ce soit sans autorisation écrite du propriétaire. Propriété de c FCI. Droits de reproduction FCI.

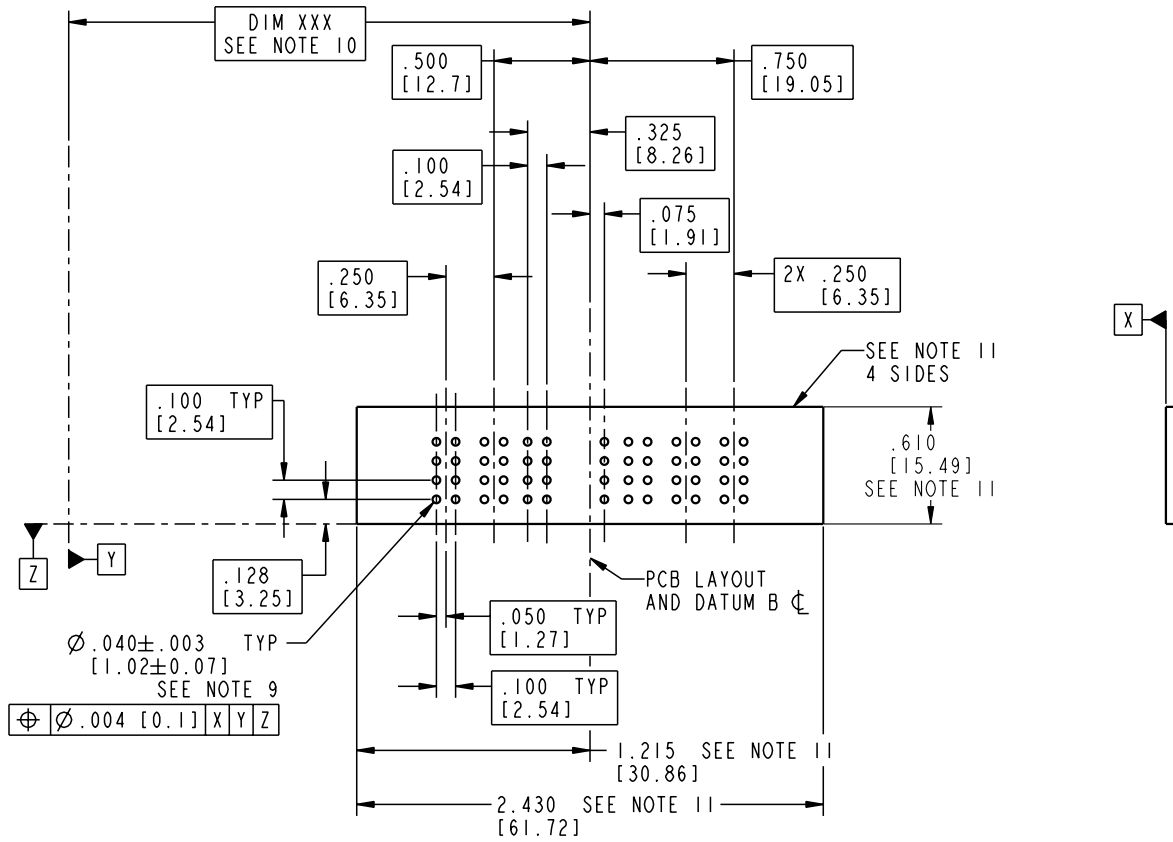
A
FCI

All rights strictly reserved. Reproduction or issue to third parties in any form whatever is not permitted without written authority from the proprietor. Property of FCI. Copyright FCI.

A

B

PRODUCT NUMBER
51750-063



A

B

mat'l code				SEE NOTE 2		tolerances unless otherwise specified		CUSTOMER		 www.fciconnect.com	
ltr	ecn no.	dr	date	linear	.XX±.01/0.X±0.3	projection		COPY		title	
A				angles	.XXX±.005/0.XX±0.13					3P + 20S + 2P	
				dr	.XXX±.0020/0.XXX±0.051	INCH/MM		product family		code	
				engr	T. BRUNGARD 10/18/04	scale		PwrBlade		213	
				chr	M. GRAY 10/18/04	1:1		size		sheet	
				appd	M. GRAY 10/18/04			A		3 of 4	
sheet index		revision sheet									

cage code 22526

Pro/E

PDM: Rev:A

STATUS: Released

Printed: Dec 20, 2010

Tous droits strictement réservés. Reproduction ou communication o des tiers interdite sous quelque forme que ce soit sans autorisation écrite du propriétaire. Propriete de c FCI. Droits de reproduction FCI.

A
FCI

All rights strictly reserved. Reproduction or issue to third parties in any form, whatever is not permitted without written authority from the proprietor. Property of FCI. Copyright FCI.

B

PRODUCT NUMBER
51750-063

NOTES:

1. DIMENSIONS AND TOLERANCES ARE IN ACCORDANCE WITH ASME Y14.5M, 1994 UNLESS OTHERWISE SPECIFIED.

CONNECTOR NOTES:

2 HOUSING MATERIAL: UL 94 V-0 GLASS FILLED

HIGH-TEMP THERMOPLASTIC
POWER CONTACT MATERIAL: COPPER ALLOY
SIGNAL PIN MATERIAL: COPPER ALLOY

3. PLATING:
SIGNAL PINS: 30u"/0.76um Au OVER 50u"/1.27um Ni
POWER CONTACTS: 50u"/1.27um Ni UNDER ALL WITH 30u"/0.76um Au ON CONTACT AREA AND SnPb ON PCB INTERFACE

4 MANUFACTURER'S NAME, P/N, AND DATE CODE TO APPEAR ON THIS SURFACE.

5. PRODUCT SPECIFICATION GS-12-149.
APPLICATION SPECIFICATION BUS-20-067.

6. PACKAGED IN TRAYS.

PCB NOTES:


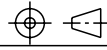
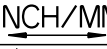
7. ALL HOLE DIAMETERS ARE FINISHED HOLE SIZE.

8 MOUNTING HOLES, WHERE APPLICABLE, ARE UNPLATED.

9 $\varnothing .0453 \pm .0010$ [1.151 \pm 0.025] DRILLED HOLES PLATED WITH .0003 [0.008] MIN SnPb OVER .001 [0.03] TO .003 [0.08] Cu PLATING TO ACHIEVE $\varnothing .040 \pm .003$ [1.02 \pm .07] HOLE.

10 "DIM XXX" TO BE DETERMINED BY THE CUSTOMER.

11 CONNECTOR KEEP-OUT ZONE.

mat'l code				SEE NOTE 2		tolerances unless otherwise specified		CUSTOMER		 FCI www.fciconnect.com	
ltr	ecn no.	dr	date	linear	.XX±.01/0.X±0.3		COPY		 title 3P + 20S + 2P VERTICAL PRESS-FIT RECEPT		
A					.XXX±.005/0.XXX±0.13		projection				
				angles	.XXX±.0020/0.XXX±0.051		 INCH/MM		product family PwrBlade code 213 size dwg no A 51750-063 sheet 4 of 4		
					° ± °		scale 1:1				
				dr	T. BRUNGARD	10/18/04					
				enr	M. GRAY	10/18/04					
				chr	M. GRAY	10/18/04					
				appd	M. GRAY	10/18/04					
sheet index	revision sheet										

A

B

1 | 2

3 |

4

1 | 2

Pro/E

3 |

cage code 22526

4

PDM: Rev:A

STATUS: **Released**

Printed: Dec 20, 2010