

4

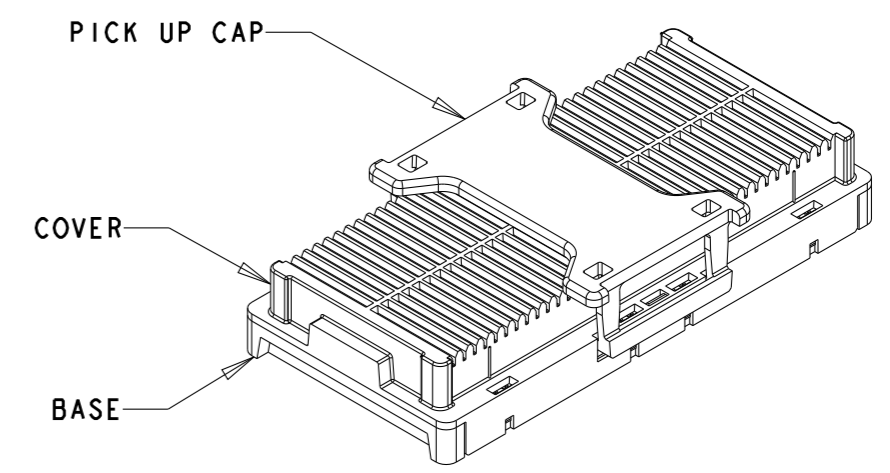
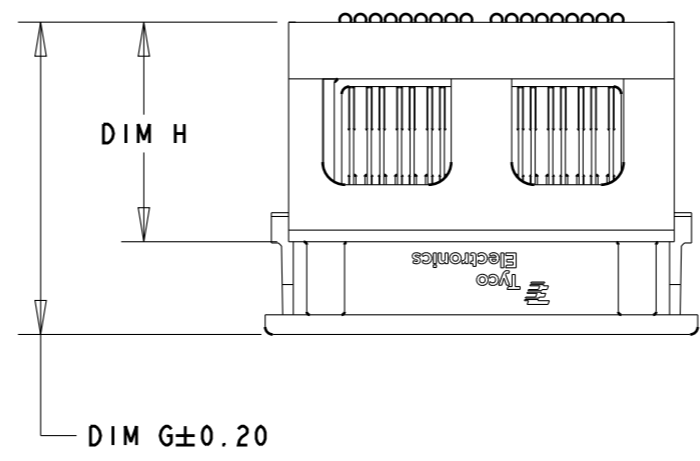
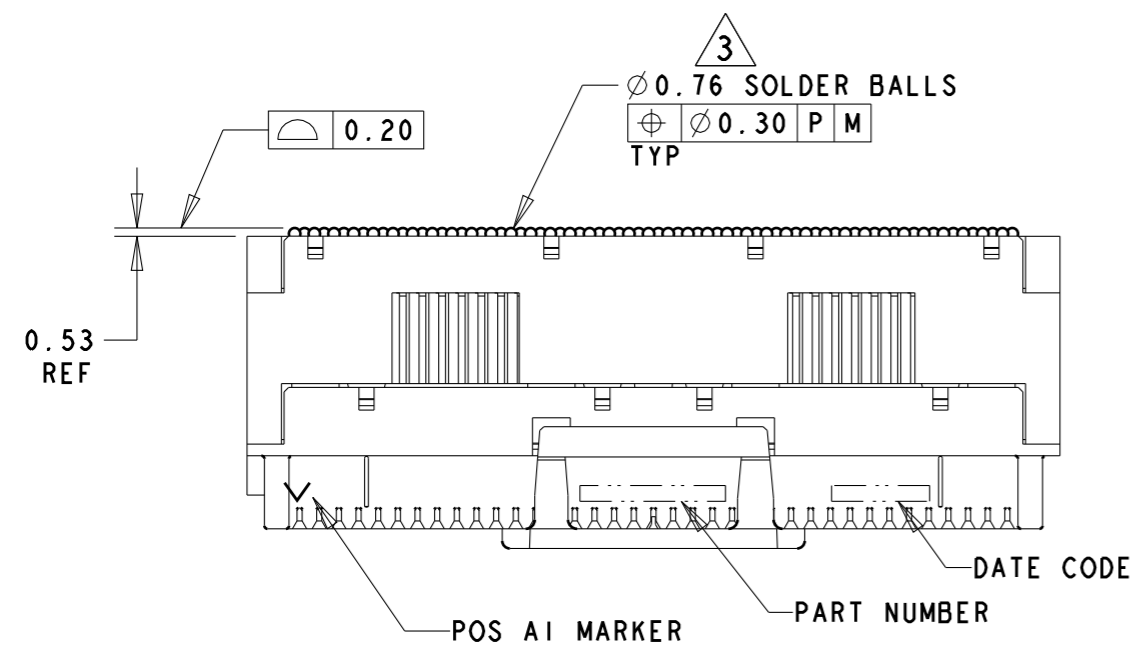
3

2

1

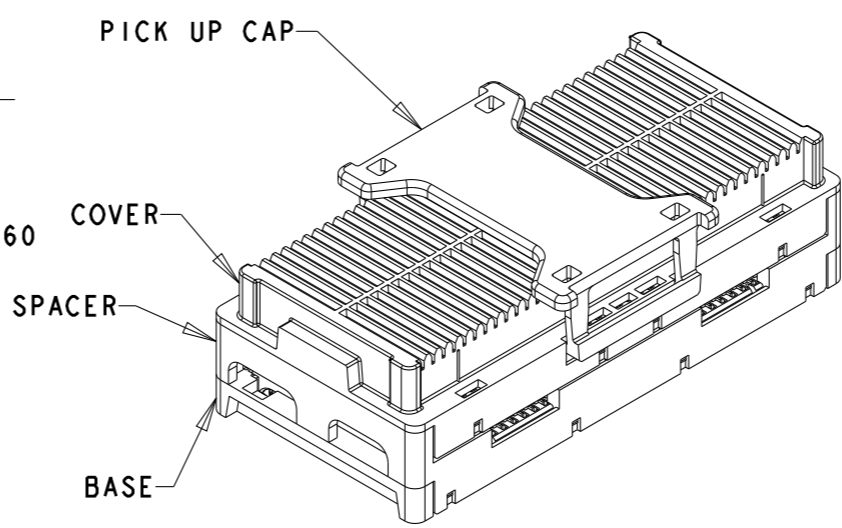
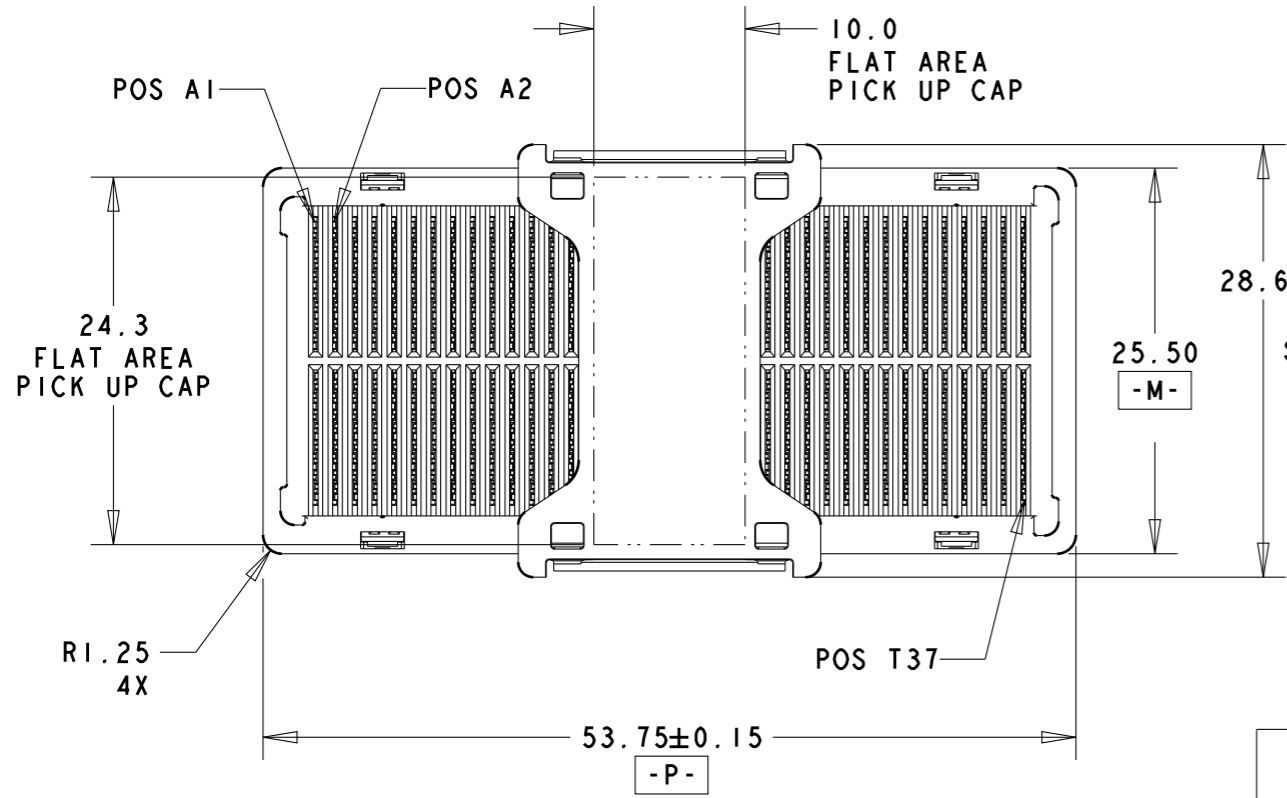
THIS DRAWING IS UNPUBLISHED. RELEASED FOR PUBLICATION 20  
© COPYRIGHT 20 BY TYCO ELECTRONICS CORPORATION, ALL RIGHTS RESERVED.

|           |           |                           |           |             |
|-----------|-----------|---------------------------|-----------|-------------|
| LOC<br>DY | DIST<br>- | REVISIONS                 |           |             |
| P         | LTR       | DESCRIPTION               | DATE      | DWN         |
|           | B4        | REVISED PER ECR-10-013879 | 01JUL2010 | SYJ         |
|           |           |                           |           | APVD<br>LSF |

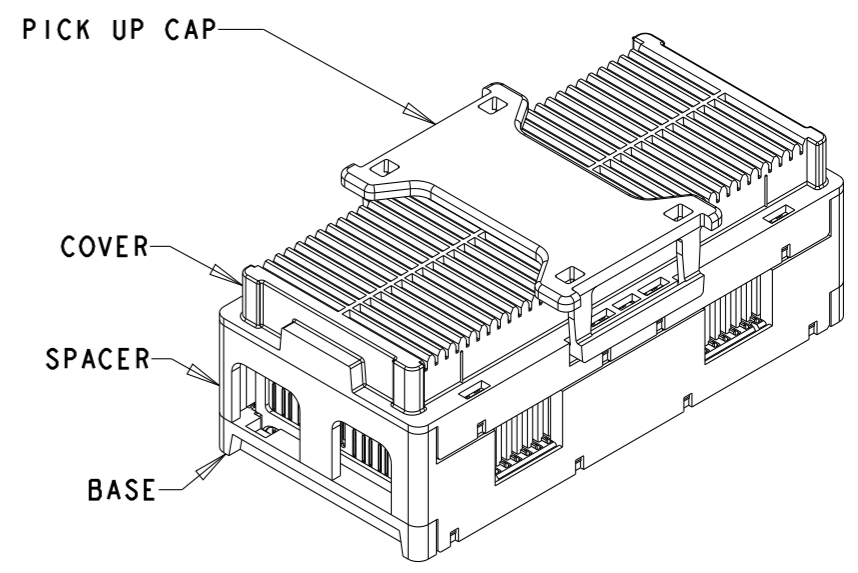


TYPICAL ASSEMBLY  
15mm SHOWN  
SCALE 2:1

ISOMETRIC VIEW  
TYPICAL CONFIGURATION  
FOR 5mm ASSEMBLY  
SCALE 3:2



ISOMETRIC VIEW  
TYPICAL CONFIGURATION  
FOR 11mm ASSEMBLY  
SCALE 3:2



ISOMETRIC VIEW  
TYPICAL CONFIGURATION  
FOR 15mm ASSEMBLY  
SCALE 3:2

|  |  |                                |  |                    |
|--|--|--------------------------------|--|--------------------|
| THIS DRAWING IS A CONTROLLED DOCUMENT FOR TYCO ELECTRONICS CORPORATION<br>IT IS SUBJECT TO CHANGE AND THE CONTROLLING ENGINEERING ORGANIZATION<br>SHOULD BE CONTACTED FOR THE LATEST REVISION. |  | DWN<br>P BRANDBERG<br>11 JAN05 | Tyco Electronics<br>Singapore                              |                    |
| DIMENSIONS:<br>mm  |  | CHK<br>D WERTZ<br>12 JAN05     | NAME<br>STEP-Z RECEPTACLE ASSEMBLY,<br>296 SIGNAL POSITION |                    |
| TOLERANCES UNLESS<br>OTHERWISE SPECIFIED:  |  | APVD<br>D WERTZ<br>12 JAN05    | PRODUCT SPEC<br>108-2143                                   | RESTRICTED TO      |
| 0 PLC ±  |  | PRODUCT SPEC<br>114-13101      | APPLICATION SPEC   |                    |
| 1 PLC ±0.3   |  | WEIGHT                         | 114-13101  |                    |
| 2 PLC ±0.10  |  | CUSTOMER DRAWING               | SIZE<br>A3   | CAGE CODE<br>00779 |
| 3 PLC ±0.050   |  |                                | DRAWING NO<br>C-1761617                                    |                    |
| 4 PLC ±  |  |                                |  |                    |
| ANGLES ±2°   |  |                                |  |                    |
| MATERIAL<br>1  |  |                                |  |                    |
| FINISH<br>2  |  |                                |  |                    |
|  |  |                                | SCALE -  | SHEET 1 OF 4       |
|  |  |                                |  | REV B4             |

THIS DRAWING IS UNPUBLISHED.

RELEASED FOR PUBLICATION

20


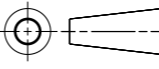
© COPYRIGHT 20

BY TYCO ELECTRONICS CORPORATION, ALL RIGHTS RESERVED.

| LOC | DIST | REVISIONS   |      |     |      |
|-----|------|-------------|------|-----|------|
| P   | LTR  | DESCRIPTION | DATE | DWN | APVD |
|     | -    | SEE SHEET 1 | -    | -   | -    |

- 1 MATERIAL:  
BASE, SPACER, COVER: THERMOPLASTIC  
PICK UP CAP: THERMOPLASTIC  
CONTACT: COPPER ALLOY  
SOLDER BALL: Sn/Pb FOR P/N 1761617-1 THRU 5-1761617-0  
Sn/Ag FOR P/N 5-1761617-1 THRU 9-1761617-9
- 2 FINISH:  
CONTACT: 0.00076 MIN GOLD OVER 0.00127 MIN NICKEL.  
(30µ" MIN GOLD OVER 50µ" MIN NICKEL)
- 3 SOLDER BALLS WILL NOT BE PERFECT  
SPHERICAL SHAPE DUE TO REFLOW ATTACHMENT.
- 4 CONTACTS IN ROWS A,C,E,G,J,K,M,P,R, AND T  
ARE SINGLE BEAM CONTACTS,  
TYPICALLY USED AS GROUND PINS.  
(NOTE: CONTACTS IN ROWS J & K ARE TIED  
TOGETHER [COMMONED]).
- 5 CONTACTS IN ROWS B,D,F,H,L,N,O, AND S  
ARE DUAL BEAM CONTACTS,  
TYPICALLY USED AS SIGNAL PINS.
- 6 SPECIFIED POSITIONAL TOLERANCE DEFINES PAD TO PAD  
LOCATION WITHIN LAND PATTERN. POSITIONAL TOLERANCE  
OF LAND PATTERN TO FUDICIAL MARKS OR PCB DATUMS  
SHALL BE DEFINED BY CUSTOMER. FOR RECOMMENDED  
PRODUCT APPLICATION AND PCB DESIGN DETAILS, SEE  
APPLICATION SPEC 114-13101.

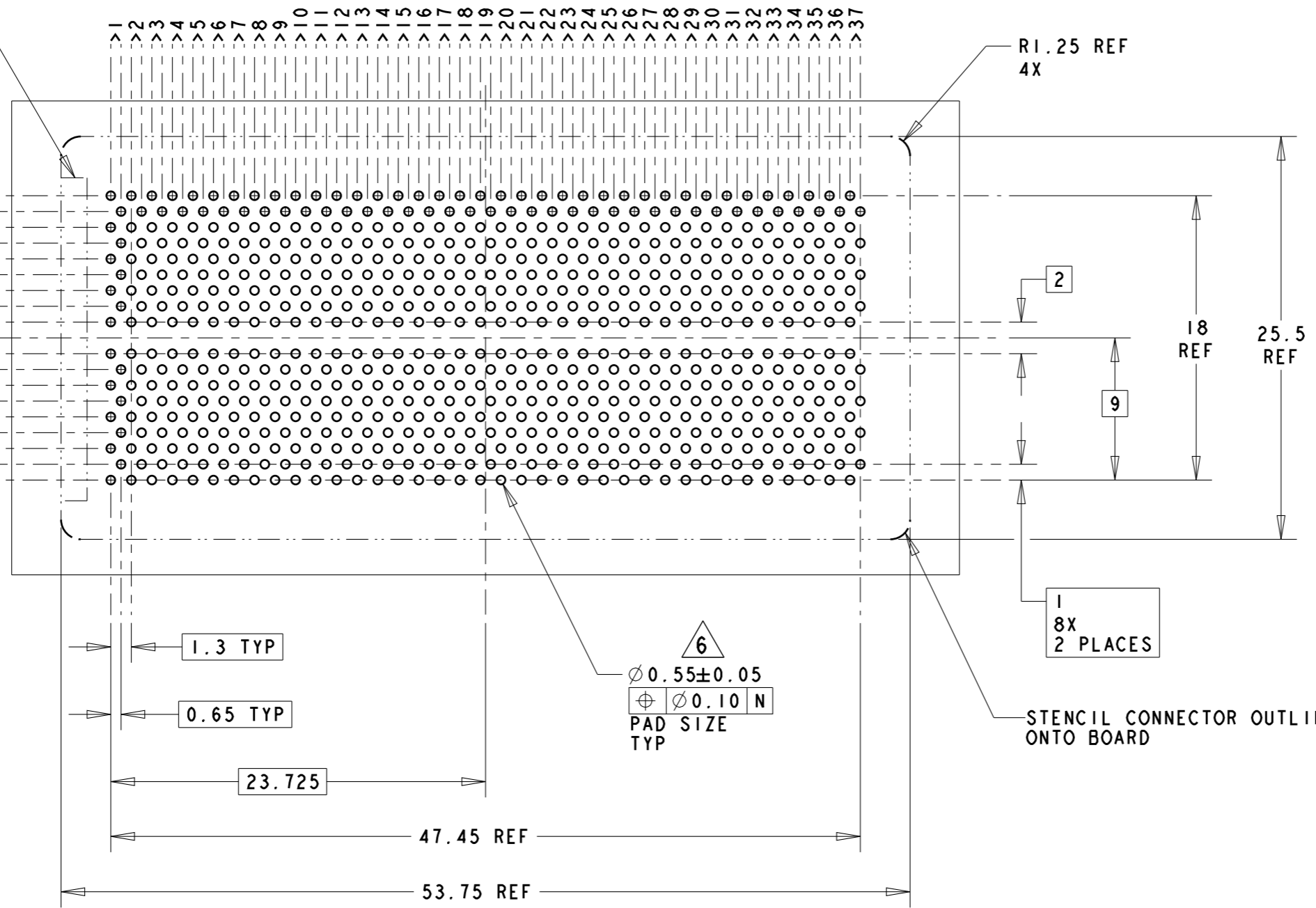
| DIM H | DIM G | LOAD STYLE | DESCRIPTION | PART NUMBER |
|-------|-------|------------|-------------|-------------|
| 14.51 | 20.65 | -          | 15mm Sn/Ag  | 6-1761617-5 |
| 10.51 | 16.65 | -          | 11mm Sn/Ag  | 6-1761617-1 |
| 4.51  | 10.65 | -          | 5mm Sn/Ag   | 5-1761617-5 |
| 14.51 | 20.65 | -          | 15mm Sn/Pb  | 1-1761617-5 |
| 10.51 | 16.65 | -          | 11mm Sn/Pb  | 1-1761617-1 |
| 4.51  | 10.65 | -          | 5mm Sn/Pb   | 1761617-5   |

|   |  |   |   |
|---|--|---|---|
| <small>THIS DRAWING IS A CONTROLLED DOCUMENT FOR TYCO ELECTRONICS CORPORATION<br/>IT IS SUBJECT TO CHANGE AND THE CONTROLLING ENGINEERING ORGANIZATION<br/>SHOULD BE CONTACTED FOR THE LATEST REVISION.</small> |  | DWN P BRANDBERG 11 JAN05<br>CHK D WERTZ 12 JAN05<br>APVD D WERTZ 12 JAN05                                   |  Tyco Electronics<br>Singapore |
| DIMENSIONS:<br>mm<br>  | TOLERANCES UNLESS OTHERWISE SPECIFIED:<br>0 PLC ±.<br>1 PLC ±0.3<br>2 PLC ±0.10<br>3 PLC ±0.050<br>4 PLC ±.<br>ANGLES ±2°<br>MATERIAL - FINISH - | NAME STEP-Z RECEPTACLE ASSEMBLY,<br>296 SIGNAL POSITION<br>PRODUCT SPEC -<br>APPLICATION SPEC -<br>WEIGHT - | SIZE A3 CAGE CODE 00779 DRAWING NO C-1761617 RESTRICTED TO -  |
| CUSTOMER DRAWING  |  | SCALE -   | SHEET 2 OF 4 REV B4   |

THIS DRAWING IS UNPUBLISHED. RELEASED FOR PUBLICATION 20  
 © COPYRIGHT 20 BY TYCO ELECTRONICS CORPORATION, ALL RIGHTS RESERVED.

| LOC | DIST | REVISIONS   |      |     |      |
|-----|------|-------------|------|-----|------|
| P   | LTR  | DESCRIPTION | DATE | DWN | APVD |
| DY  | -    | SEE SHEET 1 | -    | -   | -    |

KEY ORIENTATION  
SILK-SCREEN  
(OPTIONAL)



4 5 BOARD PATTERN  
SCALE 3:1

THIS DRAWING IS A CONTROLLED DOCUMENT FOR TYCO ELECTRONICS CORPORATION  
IT IS SUBJECT TO CHANGE AND THE CONTROLLING ENGINEERING ORGANIZATION  
SHOULD BE CONTACTED FOR THE LATEST REVISION.

|             |  |
|-------------|--|
| DIMENSIONS: | TOLERANCES UNLESS OTHERWISE SPECIFIED: |
| mm          | 0 PLC ±.3                              |
|             | 1 PLC ±0.10                            |
|             | 2 PLC ±0.050                           |
|             | 3 PLC ±.                               |
|             | 4 PLC ±2°                              |
| MATERIAL    | FINISH                                 |
| -           | -                                      |

|                  |             |          |
|------------------|-------------|----------|
| DWN              | P BRANDBERG | 11 JAN05 |
| CHK              | D WERTZ     | 12 JAN05 |
| APVD             | D WERTZ     | 12 JAN05 |
| PRODUCT SPEC     | -           | -        |
| APPLICATION SPEC | -           | -        |
| WEIGHT           | -           | -        |
| CUSTOMER DRAWING |             |          |

|  |           |                               |               |
|--|-----------|-------------------------------|---------------|
|  |           | Tyco Electronics<br>Singapore |               |
| NAME<br>STEP-Z RECEPTACLE ASSEMBLY,<br>296 SIGNAL POSITION |           |                               |               |
| SIZE   | CAGE CODE | DRAWING NO                    | RESTRICTED TO |
| A3   | 00779     | C-1761617                     | -             |
| SCALE -  |           | SHEET 3 OF 4                  | REV B4        |

THIS DRAWING IS UNPUBLISHED.

RELEASED FOR PUBLICATION

20

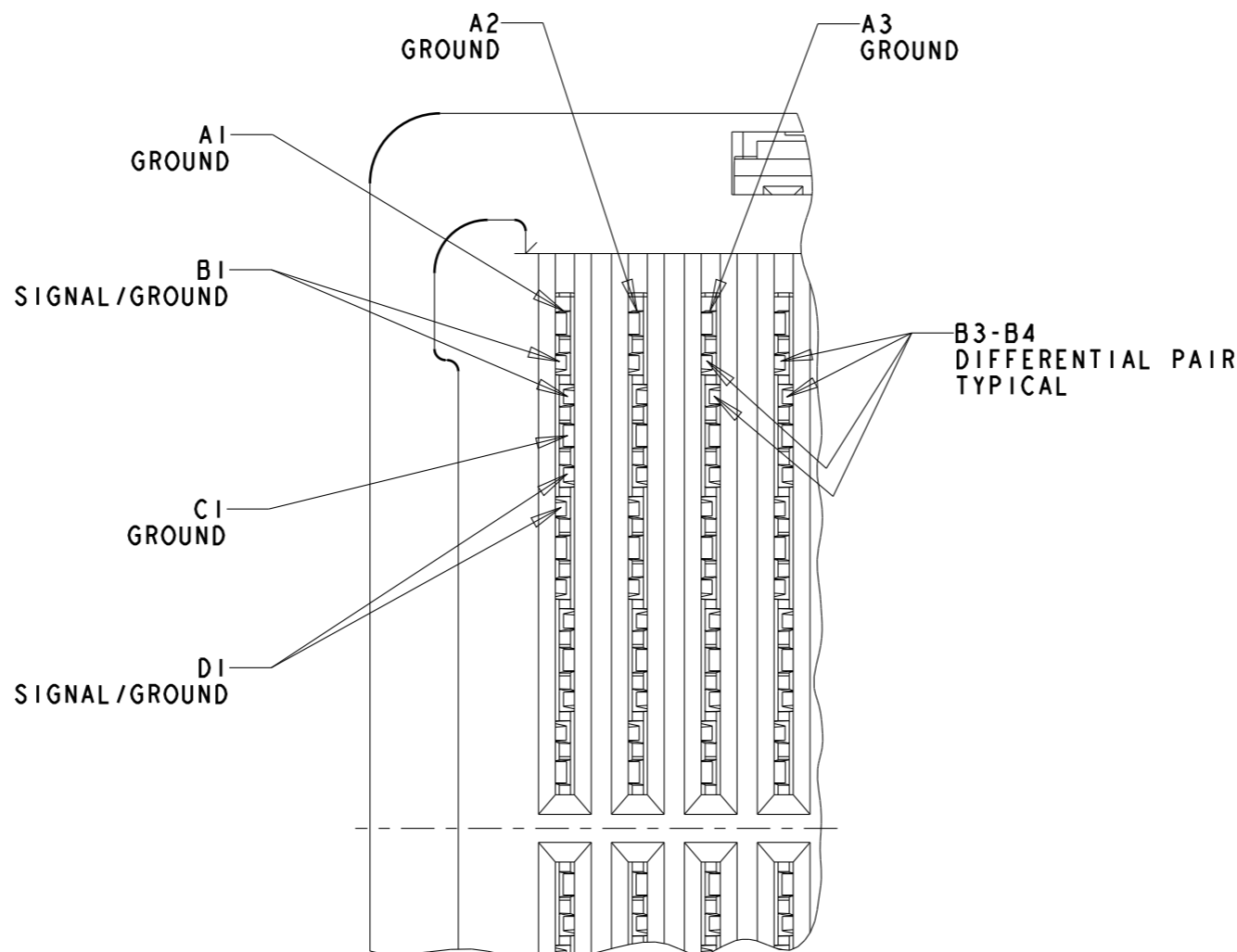
LOC  
DY

DIST  
-

REVISIONS

© COPYRIGHT 20 BY TYCO ELECTRONICS CORPORATION, ALL RIGHTS RESERVED.

| P | LTR | DESCRIPTION | DATE | DWN | APVD |
|---|-----|-------------|------|-----|------|
| - | -   | SEE SHEET 1 | -    | -   | -    |



RECEPTACLE INTERFACE  
SCALE 8:1

|   |  |  |  |   |  |
|---|--|--|--|---|--|
| <small>THIS DRAWING IS A CONTROLLED DOCUMENT FOR TYCO ELECTRONICS CORPORATION<br/>IT IS SUBJECT TO CHANGE AND THE CONTROLLING ENGINEERING ORGANIZATION<br/>SHOULD BE CONTACTED FOR THE LATEST REVISION.</small> |  | DWN P BRANDBERG 11 JAN05<br>CHK D WERTZ 12 JAN05<br>APVD D WERTZ 12 JAN05<br>PRODUCT SPEC -<br>APPLICATION SPEC -<br>WEIGHT -  |  | Tyco Electronics<br>Singapore   |  |
| DIMENSIONS:<br>mm<br>   |  | TOLERANCES UNLESS OTHERWISE SPECIFIED:<br>0 PLC ±.3<br>1 PLC ±0.10<br>2 PLC ±0.050<br>3 PLC ±.<br>4 PLC ANGLES ±2°<br>FINISH - |  | NAME STEP-Z RECEPTACLE ASSEMBLY,<br>296 SIGNAL POSITION<br>SIZE A3 CAGE CODE 00779 DRAWING NO C-1761617 RESTRICTED TO - |  |
| MATERIAL -  |  | CUSTOMER DRAWING   |  | SCALE - SHEET 4 OF 4 REV B4   |  |