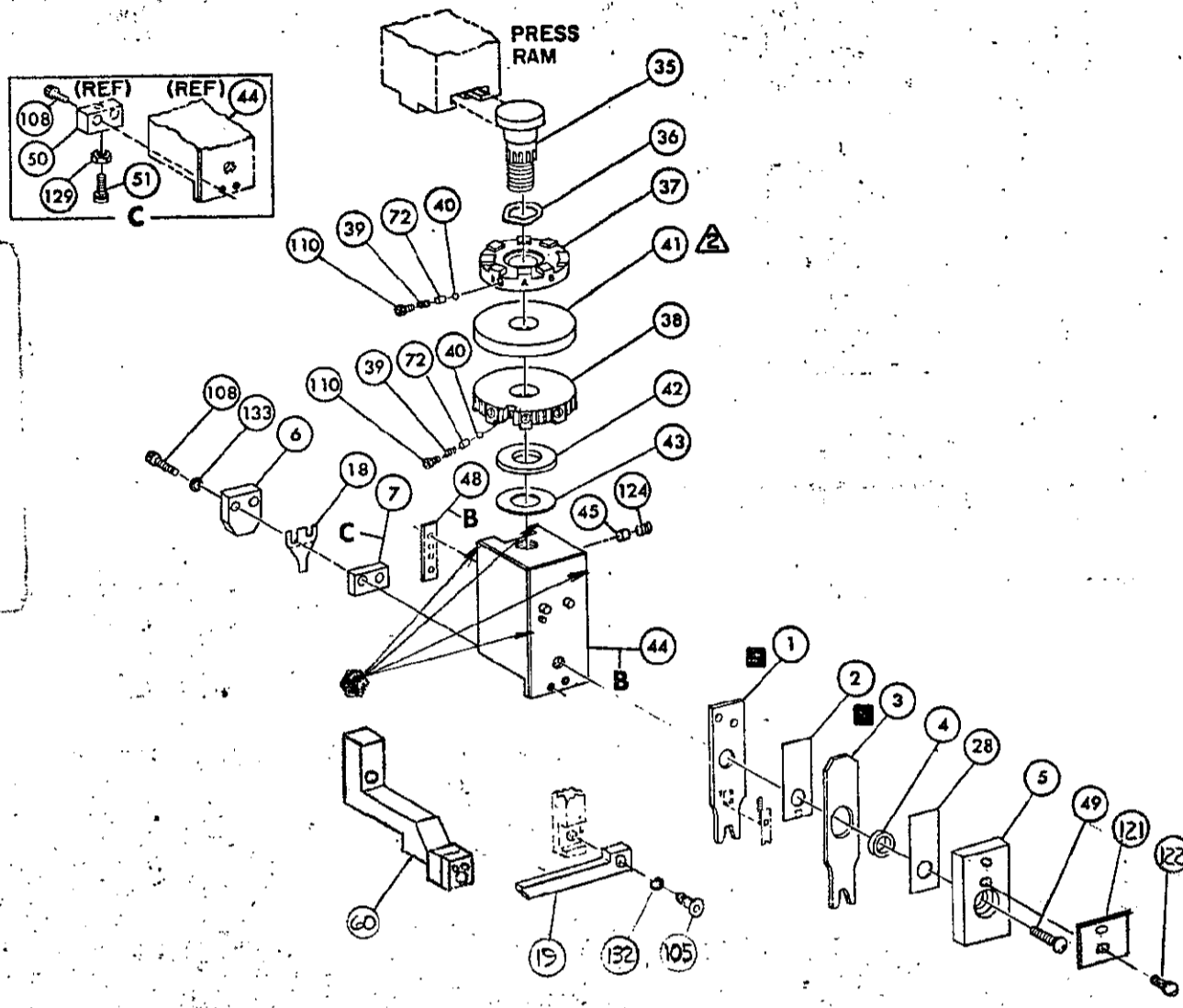
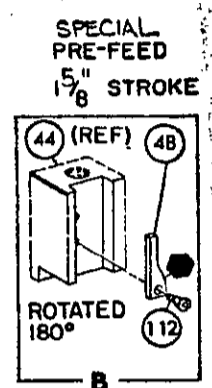
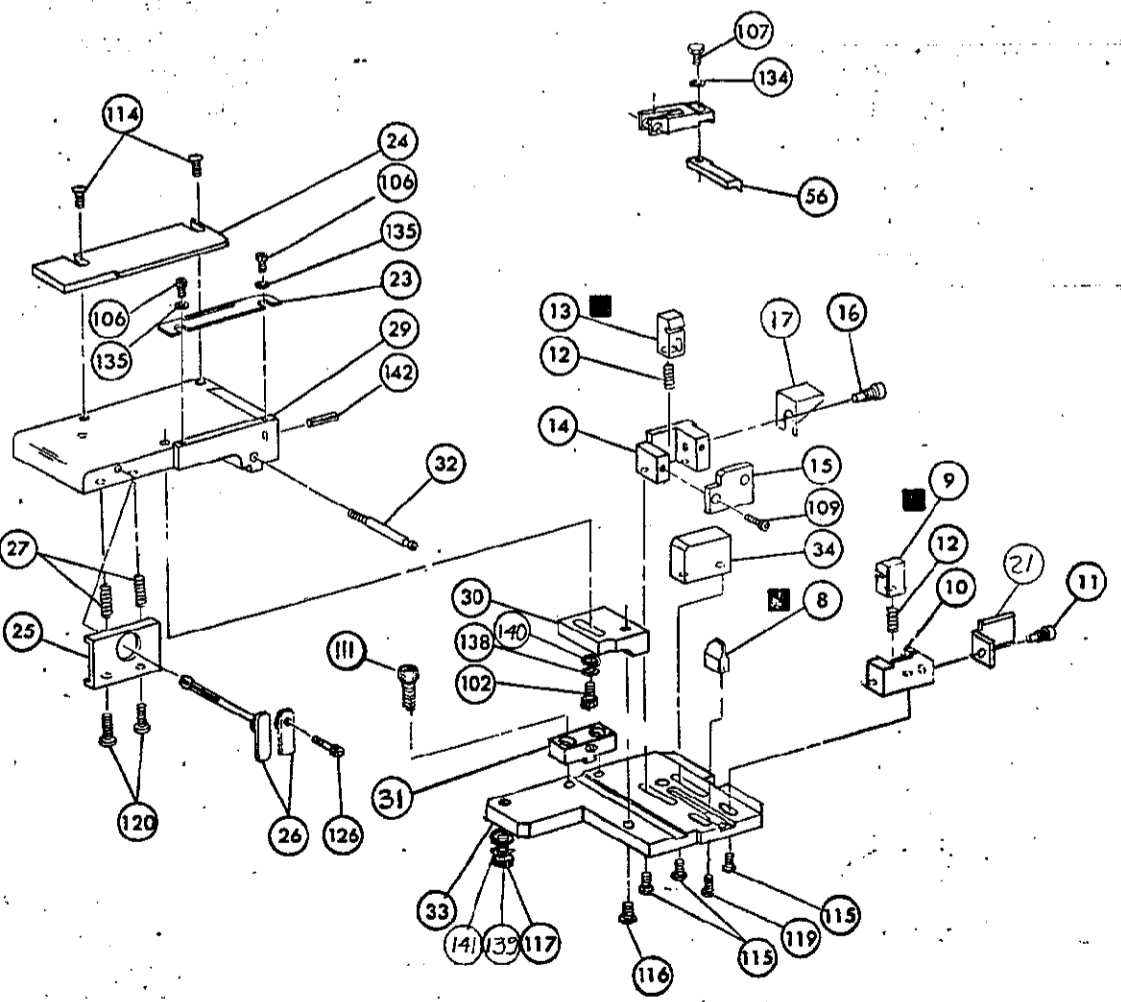


THIS DRAWING IS A CONTROLLED DOCUMENT FOR AMP INC. IT IS SUBJECT TO CHANGE AND THE CONTROLLING ORGANIZATION SHOULD BE CONTACTED FOR THE LATEST REVISION.



- NOTES:**
- 1- ONLY THE ITEMS WITH QUANTITIES SPECIFIED ON PARTS LIST ARE USED ON THIS APPLICATOR.
  - ▲ USED IN PLACE OF ITEM 38 WHEN INSULATION CRIMP IS NOT USED.
  - 3- FEED PIVOT- CENTER HOLE

- KEY:**
- - RECOMMENDED SPARE PARTS CUSTOMER RESPONSIBLE FOR REPLACEMENT.
  - - GREASE WEEKLY



QTY	PART NO	DESCRIPTION	ITEM NO	QTY	PART NO	DESCRIPTION	ITEM NO
1	4-21028-0	PIN, SLOT SPR (.093 DIA X .75) STR G PLATE	142	REF	694433-8	PAWL FEED	96
1	21899-2	WASHER, FLAT (NO 10) MOUNTING	141				55
1	21899-2	WASHER, FLAT (NO 10) S. G. ADJ BLOCK	140				54
1	21024-5	WASHER, LOCK (NO 10) MOUNTING	139				53
1	21024-5	WASHER, LOCK (NO 10) STRIP GUIDE ADJ BLOCK	138				52
			137	1	811242-2	BUMPER, HOLDDOWN	51
			136	1	690753-1	SPACER, TONKER	50
2	21057-2	WASHER, LOCK (NO 4) FRONT STRIP GUIDE	135	1	7-21002-9	BOLT, CRIMPER (BUT. HD. 5/16-24 UNF X 1.0)	49
REF	21024-4	WASHER, LOCK (NO 8) FEED FINGER	134	1	690602-6	CAM PRE FEED 1.62 STROKE	48
2	21024-4	WASHER, LOCK (NO 8) DEPRESSOR	133				47
REF	21024-4	WASHER, LOCK (NO 8) STRIPPER	132				46
			131	1	690191-1	PLUG, NYLON	45
			130	1	455673-1	RAM	44
			129	1	690125-1	WASHER, LAMINATED	43
			128	1	690124-1	WASHER, RAM	42
			127			DISC, SPACER	41
			126	2	23241-6	BALL, STEEL	40
			125	2	690170-1	SPRING, COMPRESSION	39
1	21009-2	SCR, SKT SET (1/4-20 X .25) (LOC-WEL) RAM	124	1	690142-1	DISC, INSULATION	38
2	21017-2	SCR, DRIVE (# 2 X .188 LG)	123	1	4-690141-9	DISC, WIRE	37
1	819347-1	PLATE, I.D.	122	1	22480-5	WASHER, SPRING	36
2	2-21002-9	SCR, BUT HD SKT CAP (10-32 X .75) DRAG	121	1	690212-1	POST, RAM	35
1	22733-8	SCR, BUT HD SKT CAP (8-32 X .38) (LOC-WEL) ANVIL	120			SUPPORT, TERMINAL	34
			119	1	462544-1	PLATE, BASE SPECIAL	33
			118	1	690432-3	SCREW, ADJUSTMENT	32
1	3-21000-8	SCR, SOC HD SKT CAP (10-32 X .38) MOUNTING	117	1	462543-1	BLOCK, SCHEVY SPECIAL	31
1	2-22733-1	SCR, BUT HD SKT CAP (10-32 X .50) SG ADJ BLOCK	116	1	455689-1	BLOCK, STRIP GUIDE ADJ	30
2	22733-9	SCR, BUT HD SKT CAP (8-32 X .50) SHEAR	115	1	455671-1	PLATE, STRIP GUIDE	29
2	2-21002-1	SCR, BUT HD SKT CAP (8-32 X .38) R STRIP GUIDE	114	1	1-455888-0	SPACER, FRONT SHEAR DEPRESSOR	28
			113	2	1-22284-0	SPRING, DRAG	27
1	1-21002-7	SCR, BUT HD SKT CAP (6-32 X .50) CAM	112	1	690546-1	LEVER, DRAG RELEASE	26
2	2-21000-7	SCR, SKT HD CAP (8-32 X .50) SCR. BLOCK	111	1	240792-1	DRAG, STOCK	25
2	23030-1	SCR, SKT HD CAP (6-32 X .25) (LOC-WEL) CP DISC	110	1	1-690440-5	GUIDE STRIP (REAR)	24
			109	1	690438-1	GUIDE, STRIP (FRONT)	23
2	2-21000-7	SCR, SKT HD CAP (8-32 X .50) DEPRESSOR (REAR)	108				22
REF	2-21002-1	SCR, BUT HD MACH (8-32 X .38) FEED FINGER	107	1	463756-1	GUIDE, SCRAF	21
2	1-21000-3	SCR, SKT HD CAP (4-40 X .25) F STRIP GUIDE	106				20
REF	2-21002-1	SCR, BUT HD CAP (8-32 X .38) STRIPPER	105	REF	462615-1	STRIPPER	19
			104			HOLDER, TERMINAL	18
			103			GUARD, CHIP (REAR)	17
			102			STOP, SHEAR (REAR)	16
			101			PLATE, SHEAR (REAR)	15
			79			HOLDER, SHEAR (FRONT)	14
			78			SHEAR, FLOAT (REAR)	13
2	463310-6	BLADE, STRIPPING (# 22)	77	1	5-22280-0	SPRING, SHEAR	12
			76	1	690461-2	STOP, SHEAR (FRONT)	11
			75	1	462548-1	HOLDER, SHEAR (FRONT) SPECIAL	10
			74	1	462547-1	SHEAR, FLOAT (FRONT) SPECIAL	9
			73	1	690752-1	ANVIL	8
2	690603-1	SPRING, ASSIST	72			SPACER, DEPRESSOR (REAR)	7
			71			DEPRESSOR, SHEAR (REAR)	6
			70	1	462838-1	DEPRESSOR, SHEAR (FRONT) SPECIAL	5
			69	1	238011-6	SPACER, TUBULAR, INS CRIMPER	4
			68	1	2-456135-2	CRIMPER, INSULATION	3
			67	1	455888-1	SPACER, CRIMPER	2
			66	1	2-456403-6	CRIMPER, WIRE	1

QTY	PART NO	DESCRIPTION	ITEM NO
REF	816472-1	STOP WIRE	60

REMARKS	NO	REV
APPL USED ON MACHINE PART NO	MACH SERIAL NO	DISTRIBUTION
CUSTOMER NAME	APPL SERIAL NO	ORIGINAL
ADDRESS	PURCHASE ORDER	CUSTOMER COPY
CITY	ENG APP	FIELD ENG COPY

CRIMP	SIZE	TYPE	FEED	APPL INST
WIRE	.062	F	300	A1 - 4
INSUL	070	O		
WIRE RANGE	26-22	INSULATION RANGE	1.053 MAX.	PRESS NO 463345-1

APPLICATOR WILL APPLY 66355

466584

AMP INCORPORATED Harrisburg, Pa.

NAME AMPOMATIC STRIPPER CRIMPER APPLICATOR SIDE FEED (DUO-TAB)

466584-1