

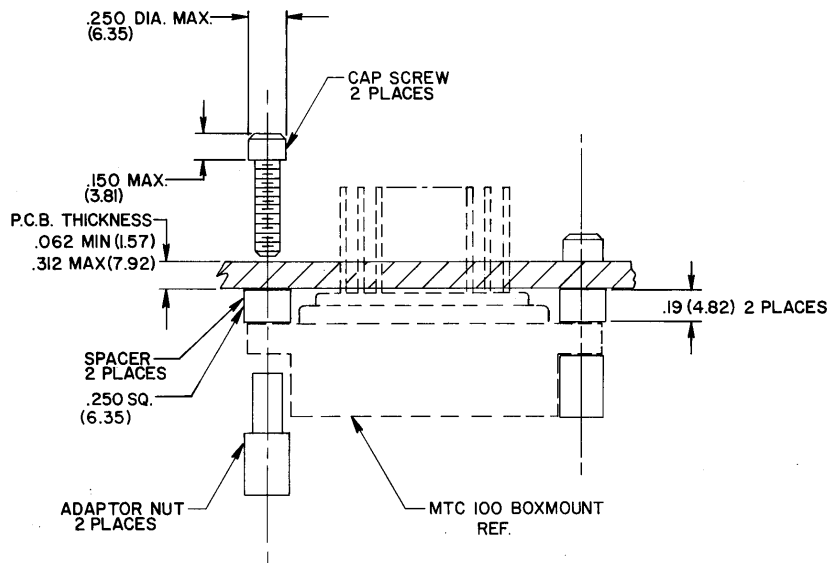
4

3

2

1

| REVISIONS | | | |
|-----------|----------------------------------|----------|----------|
| LTR | DESCRIPTION | DATE | APPROVED |
| N/C | INITIAL RELEASE PER ECN # T-3781 | 10-22-82 | J3 |
| A | REVISED PER ECN # T-3920 | 12-25-86 | J3 |



NOTES

- THIS HARDWARE KIT IS USED TO MOUNT THE MTC 100 BOXMOUNT TO A PRINTED CIRCUIT BOARD.
- ITEMS ARE SHIPPED UNASSEMBLED IN A PLASTIC BAG.
- FINISH:

| | |
|----------------|------------------------|
| A. ADAPTOR NUT | PASSIVATED PER QQ-P-35 |
| B. CAP SCREW | PASSIVATED PER QQ-P-35 |
- MATERIAL:

| | |
|----------------|----------------------------|
| A. ADAPTOR NUT | SS 300 SERIES PER QQ-S-763 |
| B. CAP SCREW | SS 300 SERIES PER QQ-S-763 |
| C. SPACER | NYLON |
- TOLERANCE: UNLESS OTHERWISE SPECIFIED
.XX = ± .02 (.51)

SPECIFICATION CONTROL DRAWING © Raychem Corporation 1982

| | | | |
|--|--------------------|-----------------|--|
| DRAWN | PIERCE | 10-6-82 | Raychem <small>RAYCHEM CORPORATION 300 CONSTITUTION DRIVE MENLO PARK, CALIFORNIA 94025</small> |
| CHECKED | <i>[Signature]</i> | 10-8-82 | |
| APPROVED | <i>[Signature]</i> | 10-8-82 | |
| APPROVED | <i>[Signature]</i> | 10-8-82 | |
| UNLESS OTHERWISE SPECIFIED DIMENSIONS ARE IN INCHES. METRIC DIMENSIONS ARE IN PARENTHESES | | | TITLE |
| | | | P.C. BOARD MOUNTING KIT FOR MTC 100, BOXMOUNT CONNECTORS |
| SIZE | CODE IDENT. NO. | DWG. NO. | |
| C | 06090 | CHA-0046 | |
| DO NOT SCALE THIS DRAWING | | WEIGHT | SHEET OF |

If this document is printed it becomes uncontrolled.
Check with the web for latest revision.