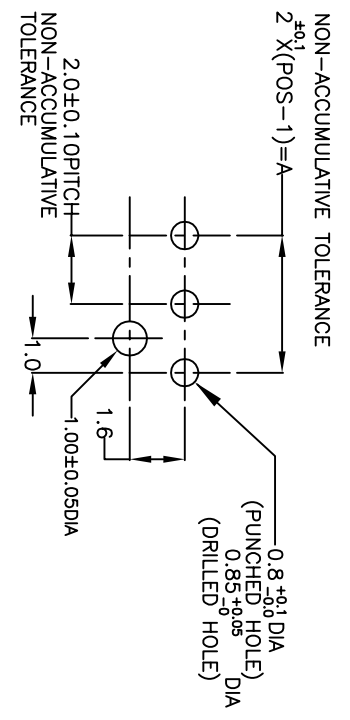
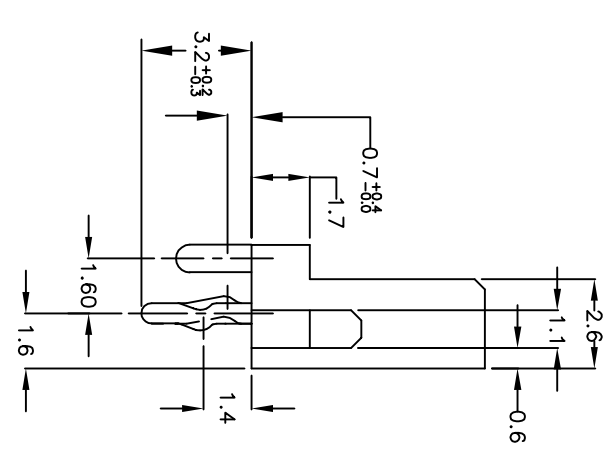
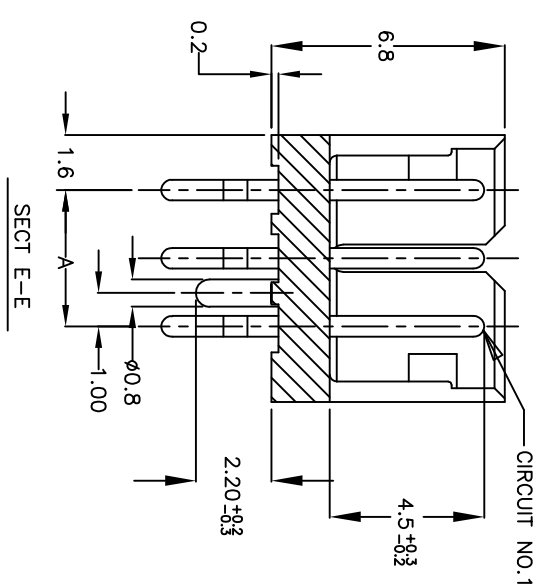
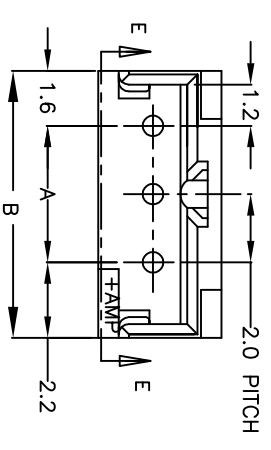


REV	DATE	BY	APP'D
1	22MAR05	C.Z	I.E

REV	DESCRIPTION	DATE	BY	APP'D
0	RELEASED	ECO-05-000610	22MAR05	C.Z



NON-ACCUMULATIVE TOLERANCE
 $2 \times (POS-1) = A$

NON-ACCUMULATIVE TOLERANCE
 2.0 ± 0.10 PITCH

RECOMMENDABLE P.C. BOARD LAYOUT
 PCB THK: 1.6mm

- NOTES:
1. MATERIAL: HOUSING - 66 NYLON (UL94V-0)
 POST - POST-PLATED TIN BRASS
 2. APPLICABLE RECEIPTACLE: P/N: 173977

SIZE	QAGE CODE	DRAWING NO	RESTRICTED TO
A3	00779	292389	

DMN	22MAR05	22MAR05	22MAR05
DMN	C.ZHU	22MAR05	22MAR05
CHK	S. YAO	22MAR05	22MAR05
APP'D	LEONMOTO	22MAR05	22MAR05

TOLERANCES UNLESS OTHERWISE SPECIFIED:	FINISH
±0.1	0 PLG
±0.2	1 PLG
±0.3	2 PLG
±0.4	3 PLG
±0.5	4 PLG
±0.6	ANODISE
±0.7	

APPLICATOR SPEC	WEIGHT	CUSTOMER DRAWING