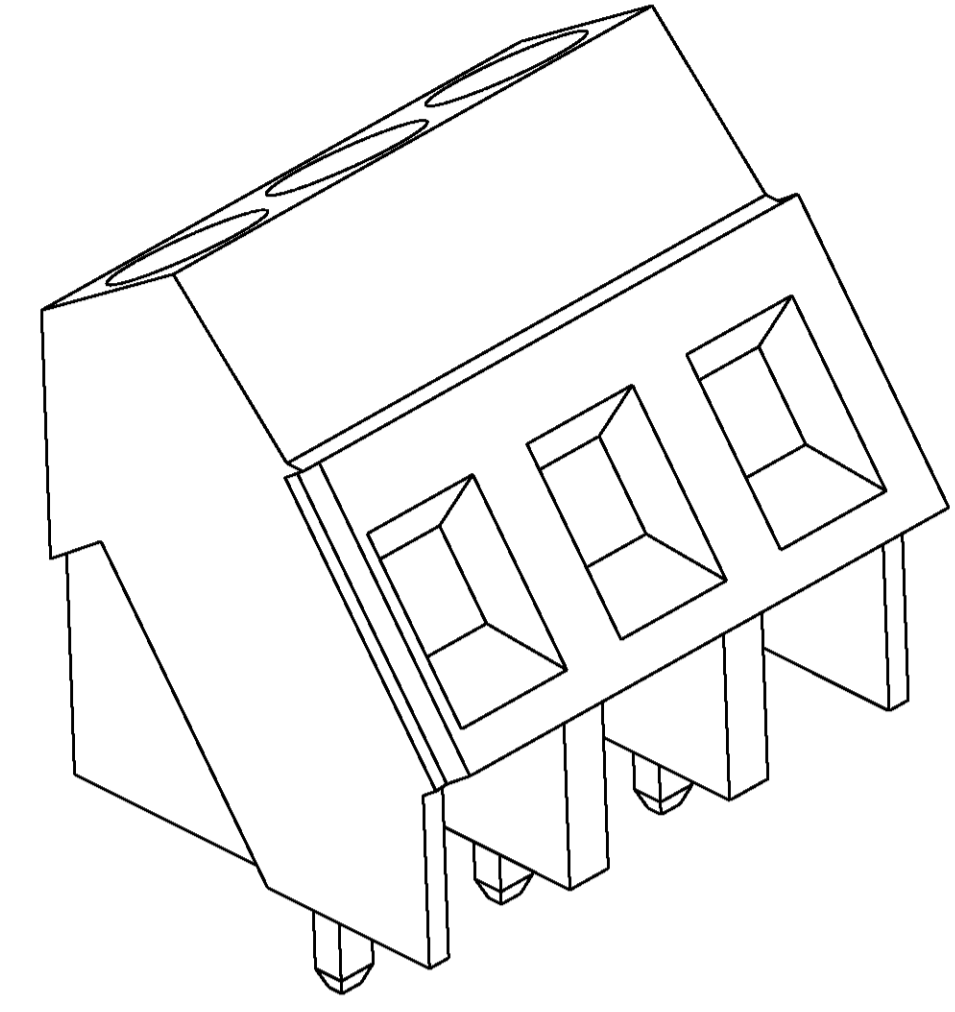
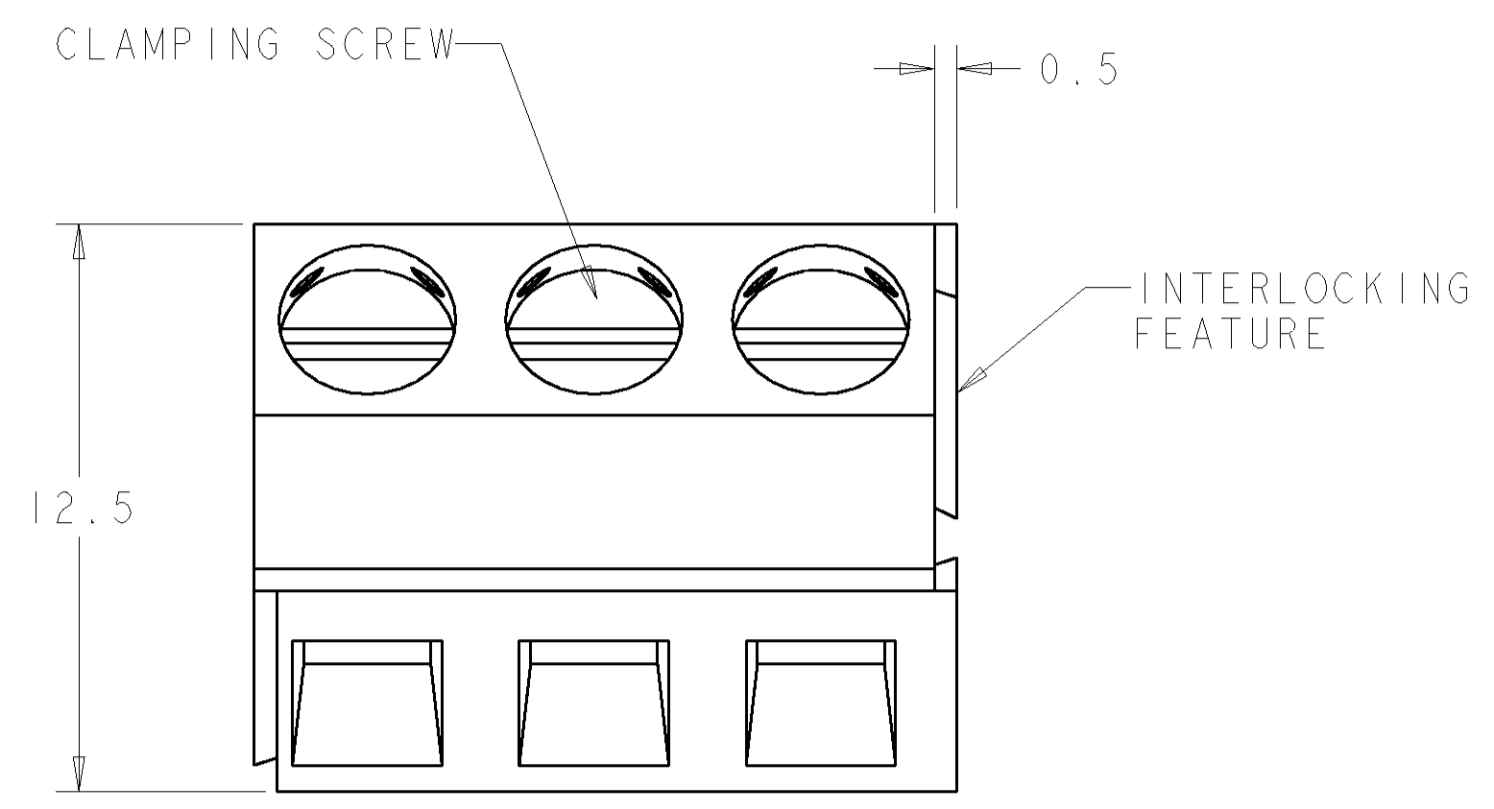
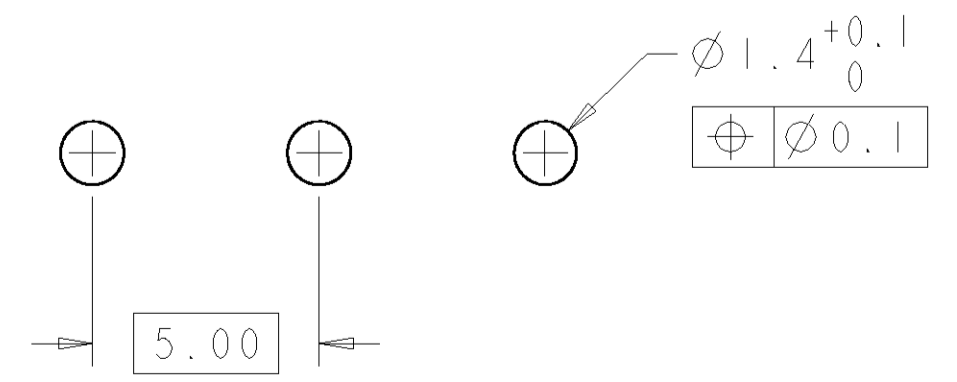
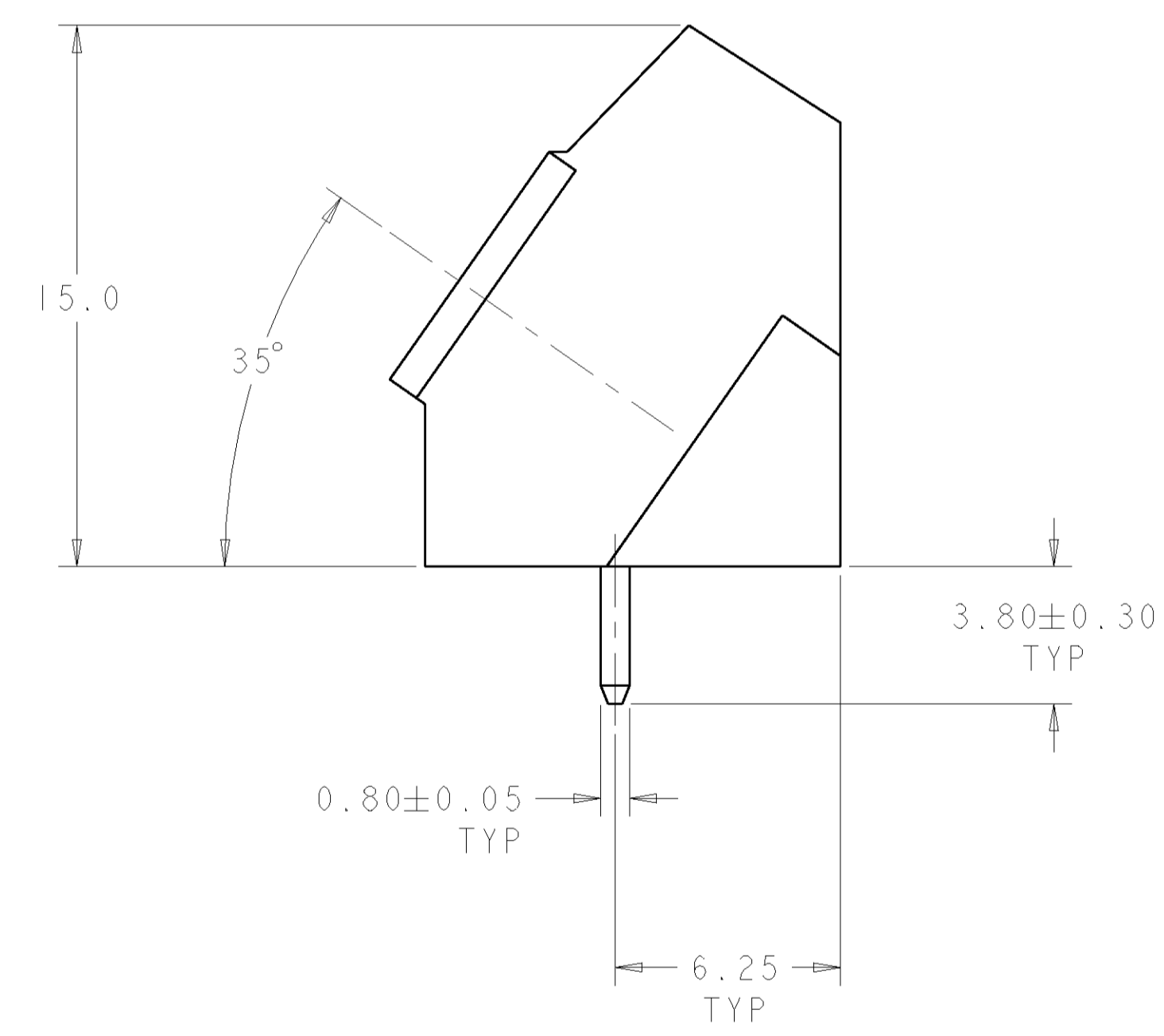
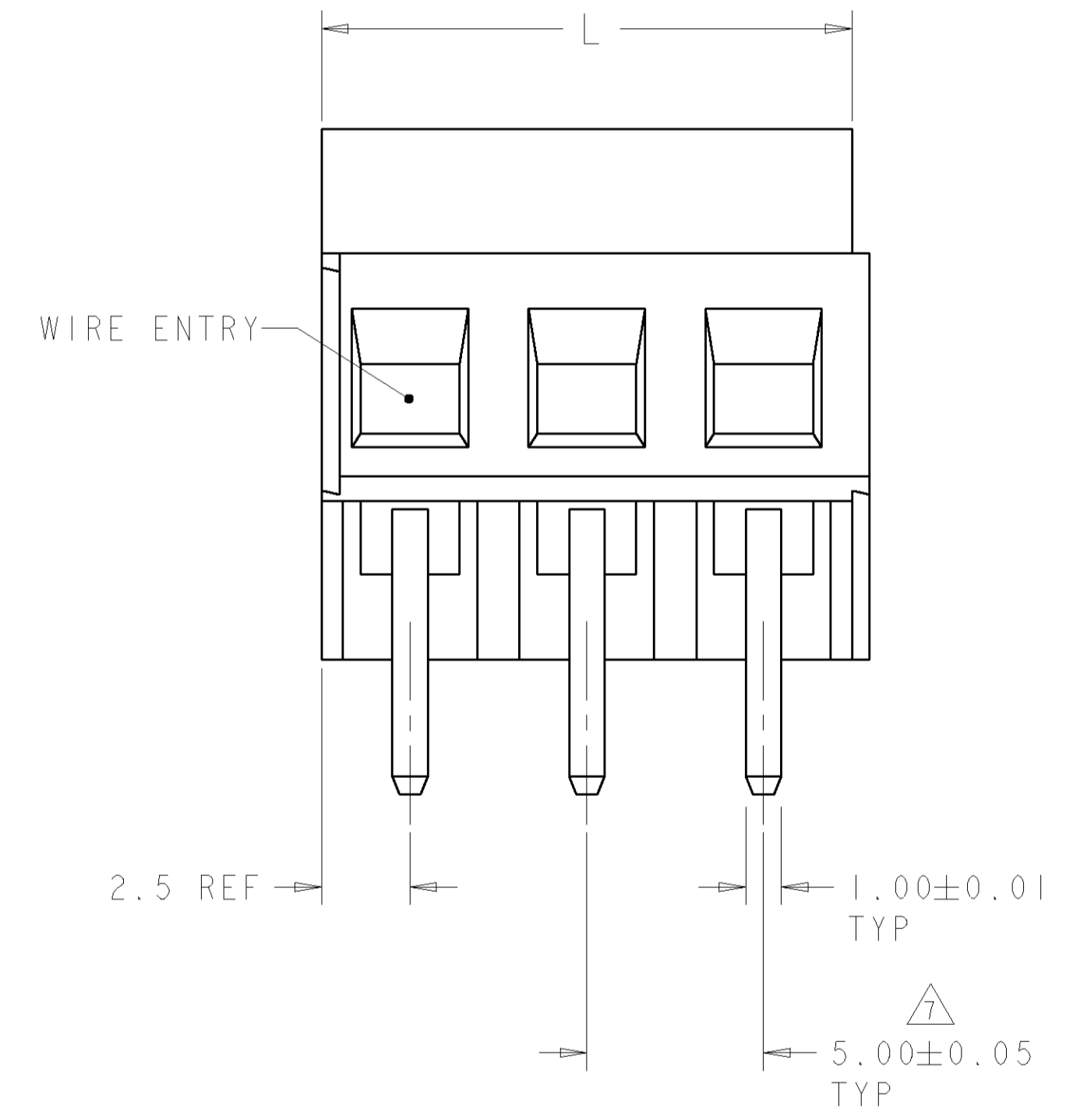


LOC	DIST	REVISIONS					
FT	0	P	LTR	DESCRIPTION	DATE	DWN	APVD
		A		RELEASED	-	-	-
		B		REVISED EC 063B-0797-03	30OCT2003	SW	CR



1546219-3 AS SHOWN

- △ MATERIALS AND FINISH:
 HOUSING: PA 6-6, UL 94-V0, COLOR GRAY.
 CLAMP: BRASS, NICKEL PLATED.
 TERMINAL: BRASS, TIN PLATED.
 CLAMPING SCREW: M3, BRASS, NICKEL PLATED.
- SUITABLE FOR 1,6-2,4mm PCB THICKNESS.
 - END-TO-END STACKABLE W/INTERLOCK, WITHOUT LOSS OF CENTERLINE SPACING.
 - WIRE RANGE: 12-30 AWG.
 - RECOGNIZED UNDER THE COMPONENT PROGRAM OF UNDERWRITERS LABORATORIES INC. FILE N° E60677.
 - IMQ CERTIFICATE WITH SURVEILLANCE IN CONFORMITY WITH IEC 998-1/998-2-1.
 - △ NOT CUMULATIVE TOLERANCE.
 - BUCHANAN LOGO TO APPEAR ON HOUSING, LOCATION OPTIONAL, WHERE SPACE PERMITS.



RECOMMENDED PC BOARD LAYOUT

60	12	1-1546219-2
55	11	1-1546219-1
50	10	1-1546219-0
45	9	1546219-9
40	8	1546219-8
35	7	1546219-7
30	6	1546219-6
25	5	1546219-5
20	4	1546219-4
15	3	1546219-3
10	2	1546219-2
L	NO OF POSN	PART NUMBER

DIMENSIONS: mm 		TOLERANCES UNLESS OTHERWISE SPECIFIED: 0 PLC ±.3 1 PLC ±.3 2 PLC ±.25 3 PLC ±.25 4 PLC ±.25 ANGLES ±.2 FINISH -		DWN S. WELDON 16 JUN 2003 CHK C. RICHARD 16 JUN 2003 APVD C. RICHARD 16 JUN 2003		BUCHANAN Tyco Electronics Harrisburg, PA 17105-3608	
MATERIAL - FINISH -		PRODUCT SPEC 108-20166 APPLICATION SPEC 114-20079 WEIGHT - CUSTOMER DRAWING		NAME TERMINAL BLOCK, PCB MOUNT ANGLED WIRE ENTRY, STACKING W/INTERLOCK, 5.00mm PITCH		SIZE CAGE CODE DRAWING NO RESTRICTED TO A 00779 C=1546219 SCALE 3:1 SHEET 1 OF 1 REV B	