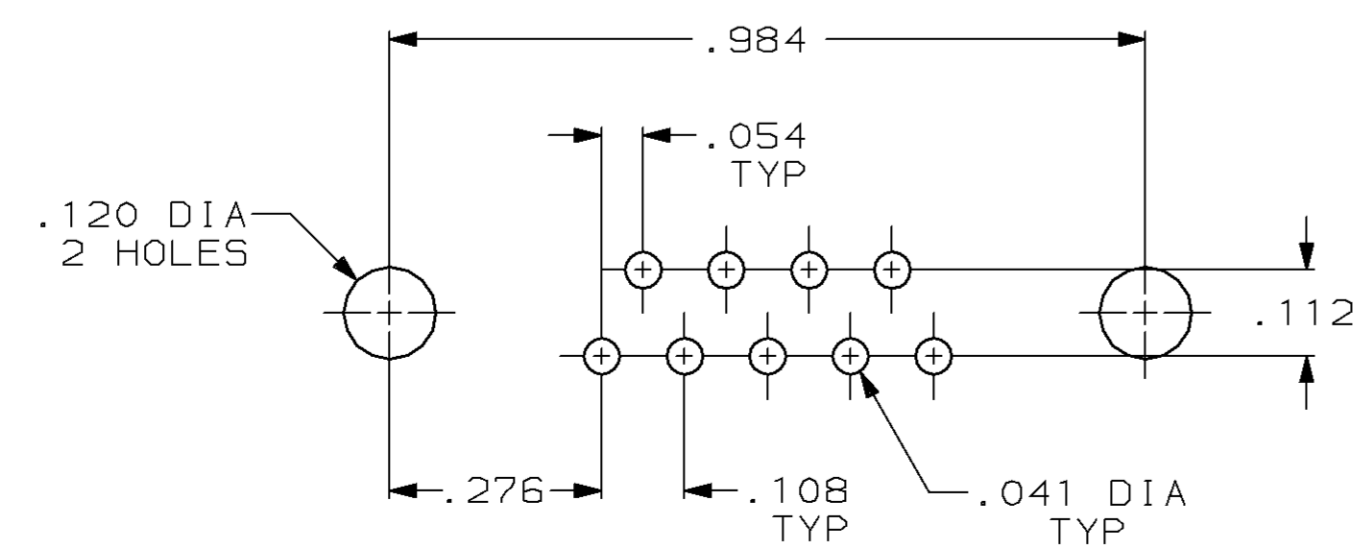
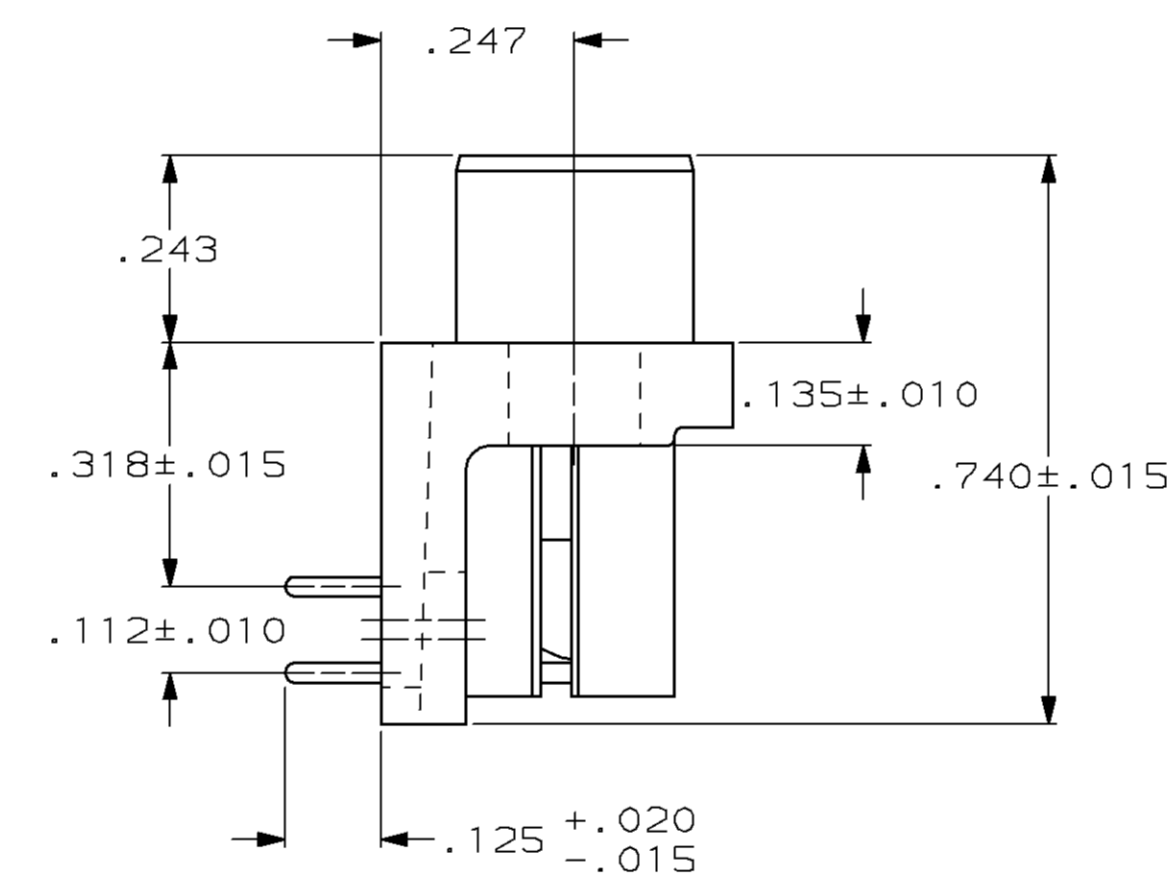
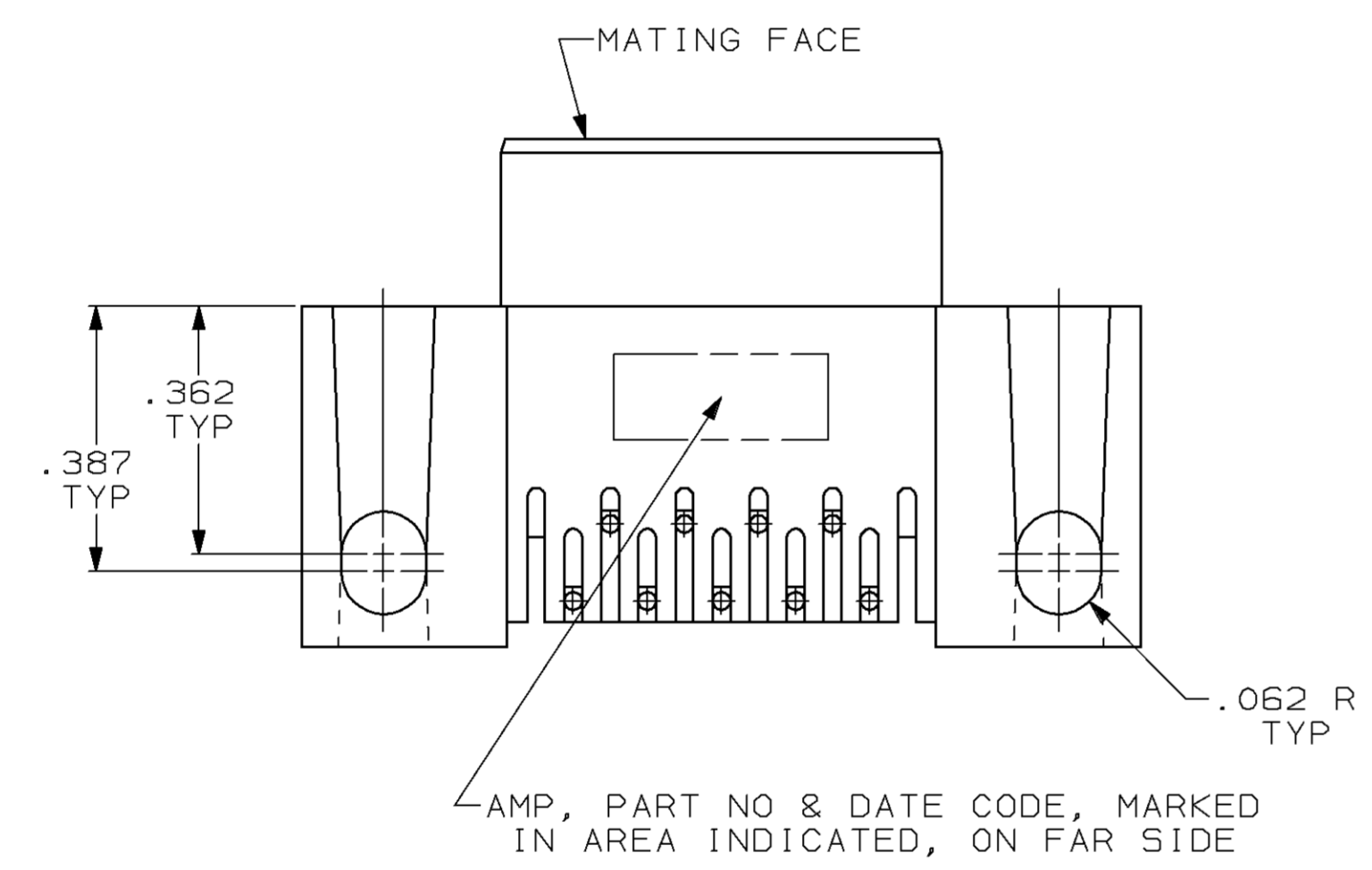
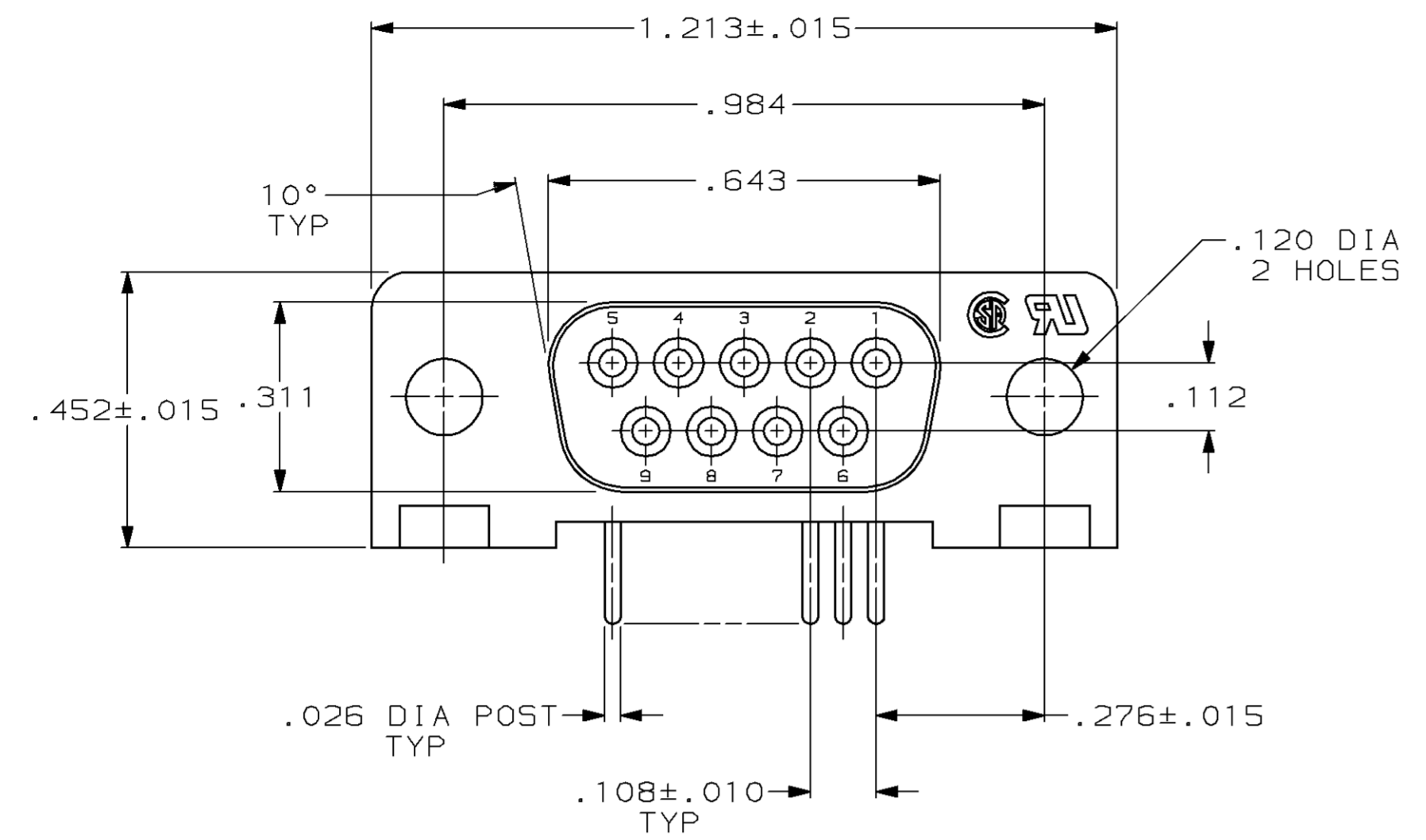


DRAWING MADE IN THIRD ANGLE PROJECTION
 THIS DRAWING IS UNPUBLISHED. RELEASED FOR PUBLICATION
 © COPYRIGHT 19 BY AMP INCORPORATED, HARRISBURG, PA. ALL INTERNATIONAL RIGHTS RESERVED. AMP PRODUCTS MAY BE COVERED BY U.S. AND FOREIGN PATENTS AND/OR PATENTS PENDING.

LOC		DIST		P		F		ZONE		LTR		REVISIONS			
BD	77											DESCRIPTION	DATE	APPD	
												A	REV & REDRAWN ECN-1747	-	-
												B	REVISED ECN-BD2289	11-14-88	PAK
												C	REVISED ECN-BD3407	11-13-88	-
												D	SUPSD -2 PER EC 0020-967-93	03/22/94	SB



P.C. BOARD MOUNTING DIMENSIONS \triangle

- \triangle 1 FLAME RETARDANT, 94V-0 RATED, GLASS FILLED NYLON OR POLYESTER, COLOR: BLACK.
- \triangle 2 PHOS. BRONZE PER QQ-B-750.
- \triangle 3 REFER TO APPLICATION SPEC FOR RECOMMENDED P.C. BOARD MOUNTING DIMENSIONS FOR AUTOMATIC INSERTION.
- \triangle 4 GOLD PLATING PER MIL-G-45204, TIN PLATING PER MIL-T-10727, NICKEL PLATING PER QQ-N-290.
- \triangle 5 PLATED WITH GOLD FLASH FOR LENGTH OF .055 MIN FROM MATING END, WITH POINT OF MEASUREMENT .035 FROM MATING END OF CONTACT, .000100-.000200 TIN OR TIN-LEAD ON SOLDER END, ALL OVER .000050 NICKEL ON ENTIRE CONTACT.
- \triangle 6 PLATED WITH .000030 GOLD FOR LENGTH OF .055 MIN FROM MATING END, WITH POINT OF MEASUREMENT .035 FROM MATING END OF CONTACT, .000100-.000200 TIN OR TIN-LEAD ON SOLDER END, ALL OVER .000050 NICKEL ON ENTIRE CONTACT.

SUPSD BY 745394-2	\triangle 6	745131 -2
	\triangle 5	745131 -1
	FINISH	PART NUMBER

UNLESS OTHERWISE SPECIFIED DIMENSIONS ARE IN INCHES TOLERANCES ON:		DR 4-7-87 S. WELDON	AMP AMP INCORPORATED Harrisburg, Pa. 17105
2 PL DEC ± .005 3 PL DEC ± .005 ANGLES ± 2°		CHK 4-13-87 C. RICHARD	
MATERIAL		APPD 4-27-87 B. TAYLOR	NAME RECEPTACLE ASSY, SIZE 1, 9 POSN, RIGHT ANGLE, .318 SERIES, .026 DIA POSTS, AMPLIMITE® HD-20
MOLDED PARTS: \triangle CONTACTS: \triangle		APPD 5-5-87 J. ASSINI	
FINISH \triangle CONTACTS: SEE TABLE		PRODUCT SPEC 108-40005	SIZE D
		APPLICATION SPEC 114-40015	FSCM NO 00779
		WEIGHT -	DRAWING NO 745131
		SCALE 4:1	SHEET 1 of 1