



**PSE Technology Corporation**

**SPECIFICATION FOR APPROVAL**

CUSTOMER \_\_\_\_\_

NOMINAL FREQUENCY 26.000000 MHz

PRODUCT TYPE TYPE JT 2.0X1.6 TEMPERATURE COMPENSATED CRYSTAL OSCILLATOR

SPEC. NO. ( P/N ) JT15260001

CUSTOMER P/N \_\_\_\_\_

ISSUE DATE June 8, 2016

VERSION A

APPROVED	PREPARED	QA
APPROVED BY CUSTOMER :		AVL Status
Please return one copy with approval to PSE-TW		

**PSE Technology Corporation**

No.2, Tzu-Chiang 5th Rd, Chung Li Industrial Park,  
 Chung Li City, Taoyuan County, Taiwan (R.O.C.)  
 TEL: 886-3-451-8888  
 FAX: 886-3-461-3865  
<http://www.saronix-ecera.com.tw>

- \*Pb-free
- \*RoHS Compliant
- \*HF-Halogen Free
- \*REACH Compliant

\*\*\* A company of **PERICOM Semiconductor Corporation** \*\*\*



# TYPE JT 2.0X1.6 TEMPERATURE COMPENSATED CRYSTAL OSCILLATOR

## JT15260001

VER. A      8-Jun-16

### ELECTRICAL SPECIFICATIONS

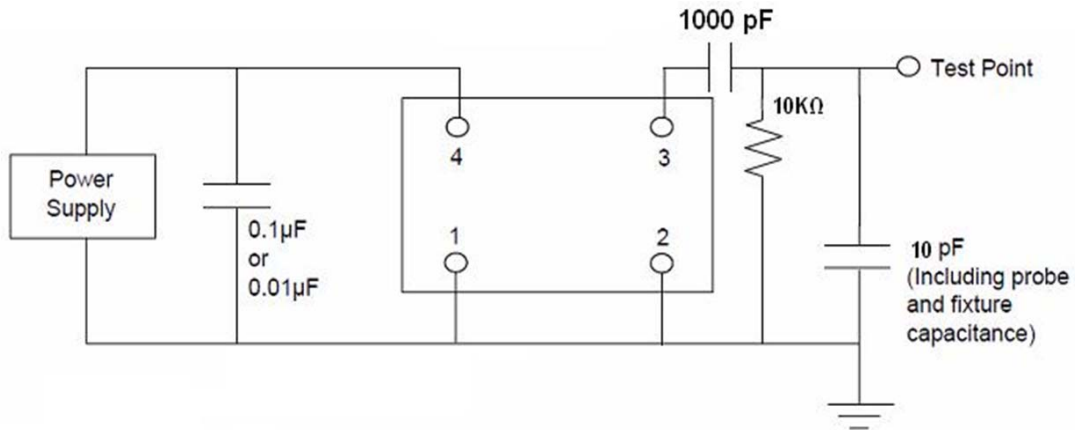
**SRe Part Number :      JT15260001**

Item	Symbol	Specifications	Units	Notes
Nominal Frequency	Fo	26.000000	MHz	
Operating Temperature Range	TR	-30 to +85	°C	
Storage Temperature Range		-40 to +85	°C	
Supply Voltage	V <sub>DD</sub>	+1.8 ± 5.0%	V	
Frequency Stability	FT	± 0.5	ppm	vs. Temperature (Refer to the mid-point between minimum and maximum frequency values over the specified temperature range)
Frequency Stability		± 0.2	ppm	vs. Load varied 10pF//10kΩ±10%
Frequency Stability		± 0.1	ppm	vs. Supply Voltage varied V <sub>dd</sub> ±5% at 25°C
Frequency Tolerance		± 2.0	ppm	Max. After 2 times reflow (Refer to nominal frequency)
Static Temperature Hysteresis		± 0.6	ppm	Max.
Aging		±1	ppm	per year at 25°C
Logic Type	LT	Clipped Sinewave		
Supply Current	I <sub>DD</sub>	1.5	mA	Max.
Start Up Time		2.0	msec	Max, 90% of specified output level
Output Voltage		0.8 to 1.4	Vp-p	
Output Load Resistance		10	KΩ	9KΩ Min / 11KΩ Max
Output Load Capacitance		10	pF	9pF Min / 11pF Max
Harmonics		-5	dBc	Max.
Phase Noise		-137	dBc/Hz	Typ. at 1kHz offset
Phase Noise		-149	dBc/Hz	Typ. at 10kHz offset
Phase Noise		-150	dBc/Hz	Typ. at 100kHz offset

※ This product doesn't include harmful substance that stipulated by SONY SS-00259 Level 1 and S-AT2-001 Level 1 standard. RoHS Compliant (Pb - Free).



**TEST CIRCUIT**

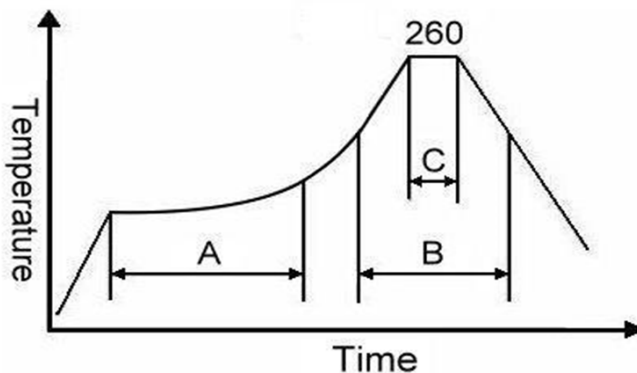


**RELIABILITY SPECIFICATIONS**

- 1. Initial
  - 1.1 Physical Dimensions: Mil Std 883 M2016
  - 1.2 Gross/Fine Leak: JESD22-A109, Mil Std 883 M1014
  - 1.3 Electrical Characterization: Per Specification/Datasheet
  - 1.4 Electrical Test: Per Specification/Datasheet
- 2. Mechanical
  - 2.1 Mechanical Shock: JESD22-B104
  - 2.2 Vibration Variable Frequency: JESD22-B103
  - 2.3 Solderability: JESD22-B102-D
- 3.Environmental
  - 3.1 Highly Accelerated Stress Testing: JESD22-A110/A118
  - 3.2 Temp Cycle: JESD22-A104
  - 3.3 Resistance to Solder Heat: J-STD-020C
  - 3.4 Low Temperature Storage: JESD22-A108
  - 3.5 High Temperature Storage Life / Bake: JESD22-A103
  - 3.6 Temperature Bias and Operating Life: JESD22-A108
  - 3.7 ESD Testing: JESD22-A114/A115/C101
  - 3.8 Latch Up test: JESD78

**SUGGESTED IR REFLOW PROFILE**

\*As per IPC-JEDEC J-STD-020D



Note:

	Stage	Temperature	Time
A	Preheat	150~200°C	60~120 Sec
B	Primary Heat	217°C	60~150 Sec
C	Peak	260°C	10 Sec

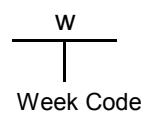
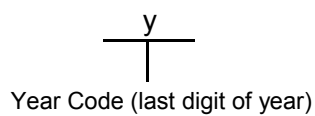
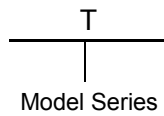
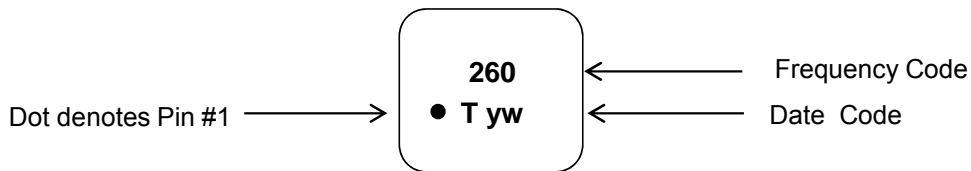
# TYPE JT 2.0X1.6 TEMPERATURE COMPENSATED CRYSTAL OSCILLATOR

## JT15260001

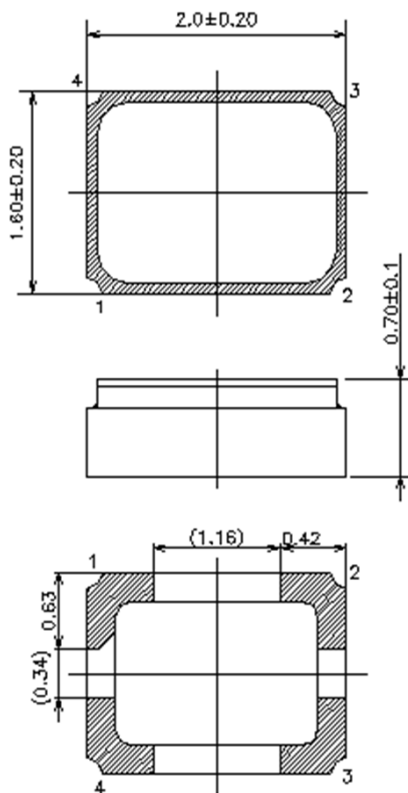
VER. A

8-Jun-16

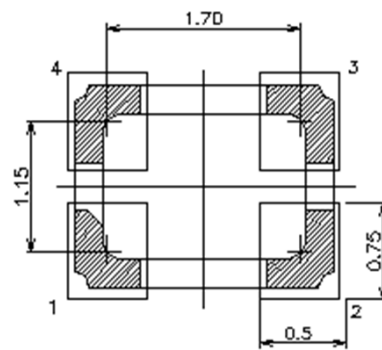
### MARKING



### MECHANICAL DRAWINGS ( Scale: None. Dimensions are in mm.)



#### Recommended Land Pattern



Pin No.	Connections
1	*(GND)
2	GND
3	OUTPUT
4	VCC

#### \* NOTE

#1 pad. Must be connected to ground on your circuit, otherwise oscillation frequency will shift from the output frequency specified.

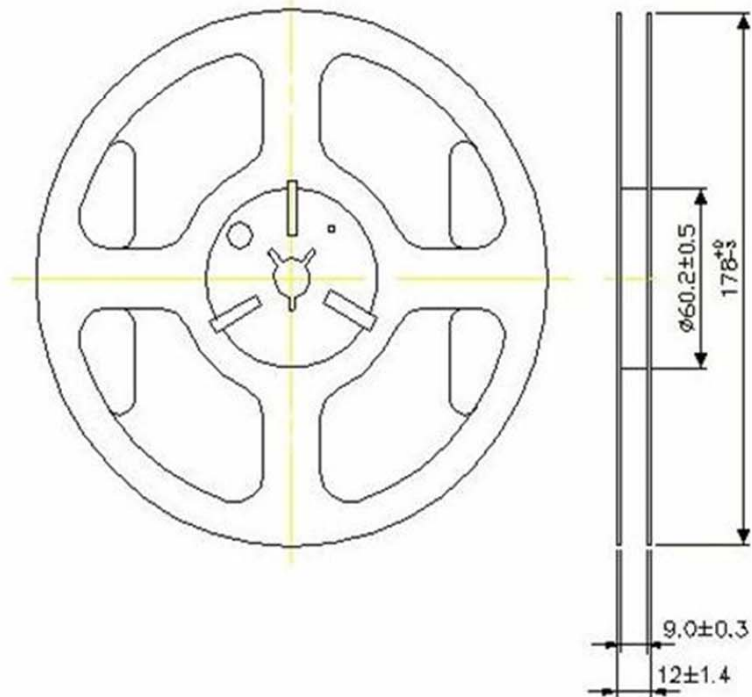
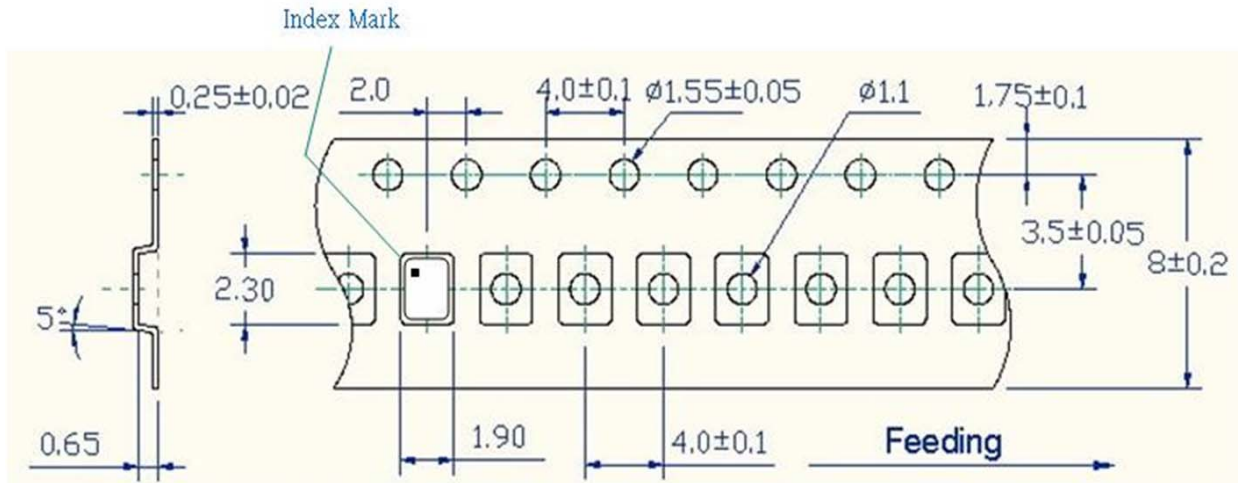
# TYPE JT 2.0X1.6 TEMPERATURE COMPENSATED CRYSTAL OSCILLATOR

## JT15260001

VER. A

8-Jun-16

### TAPE&REEL



1. 230mm minimum leader which consist of carrier and/or tape followed by a minimum of 160mm of empty carrier tape sealed with cover tape.
2. 160mm minimum trailer of empty carrier tape sealed with cover tape.

# TYPE JT 2.0X1.6 TEMPERATURE COMPENSATED CRYSTAL OSCILLATOR

## JT15260001

VER. A

8-Jun-16

### PACKING

