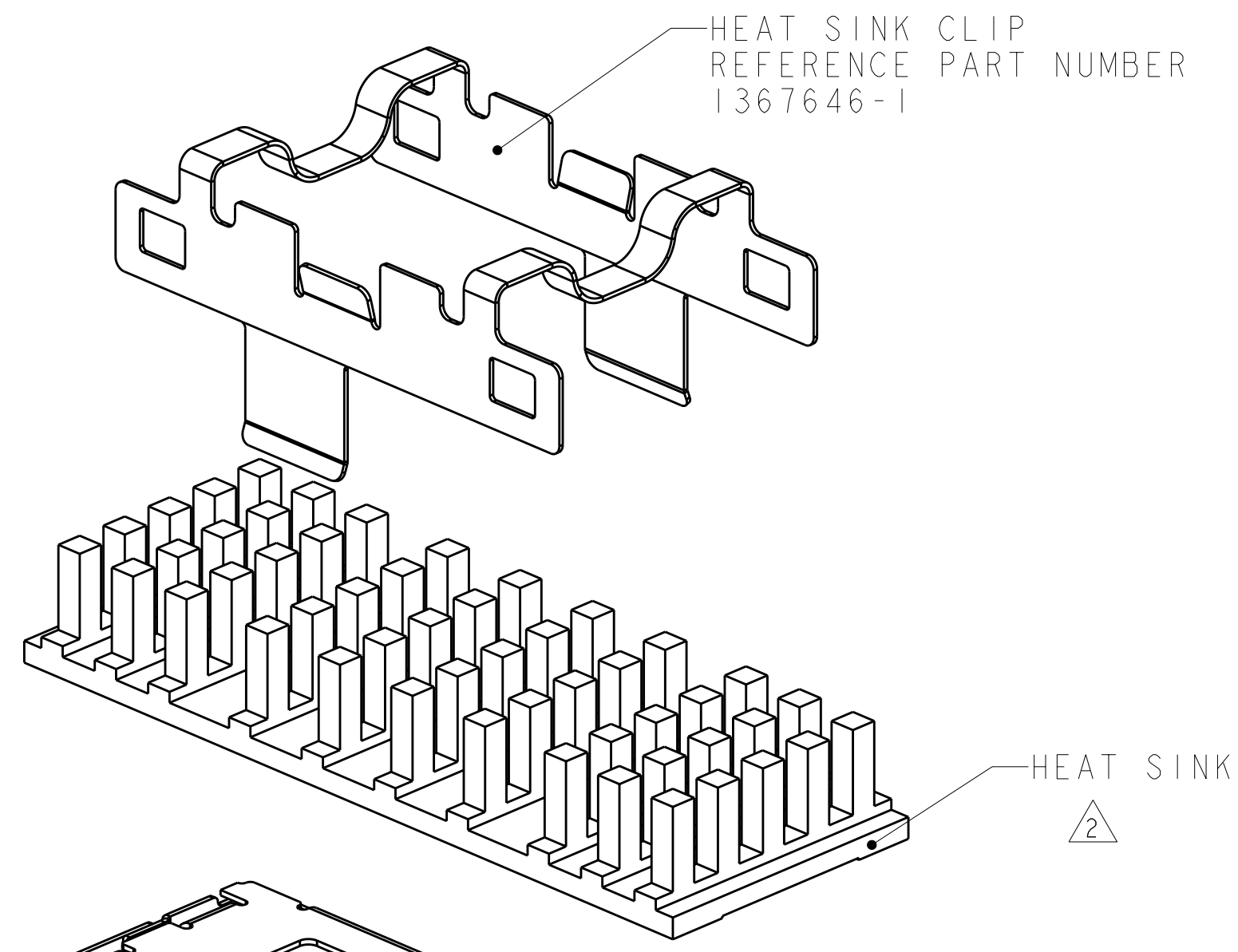


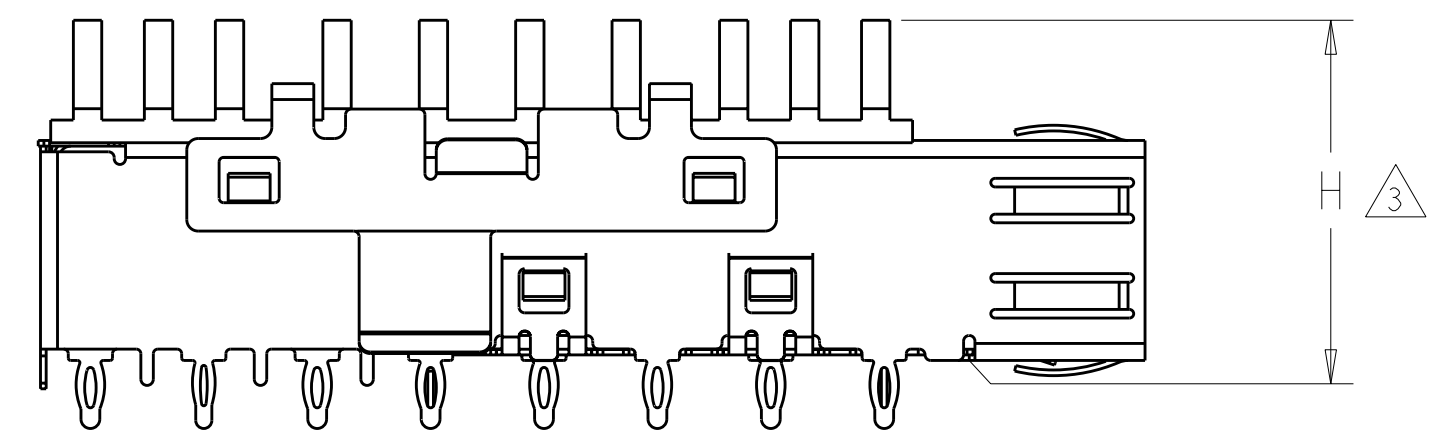
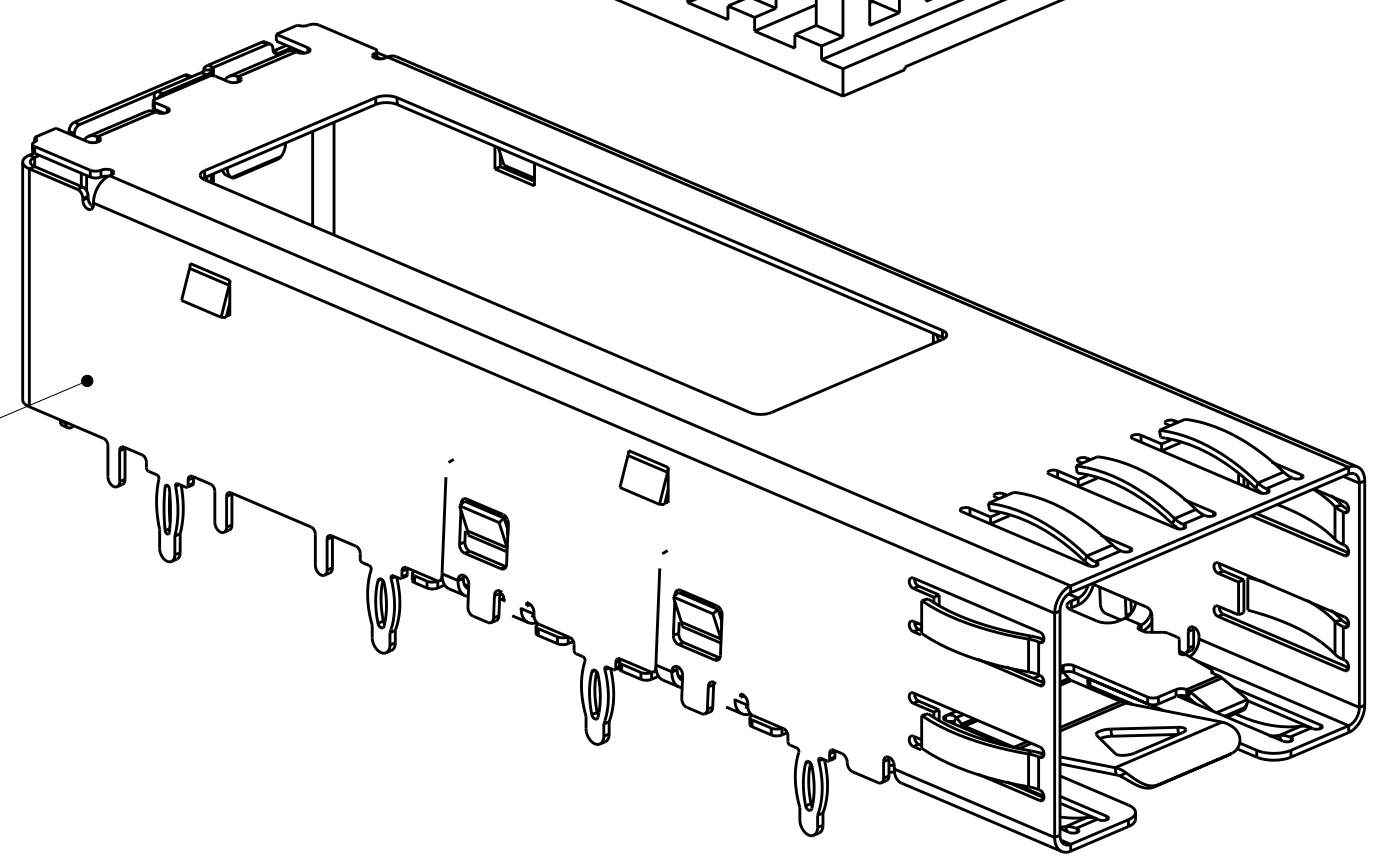
THIS DRAWING IS UNPUBLISHED. RELEASED FOR PUBLICATION 20
 © COPYRIGHT 20 BY TYCO ELECTRONICS CORPORATION. ALL RIGHTS RESERVED.

LOC		DIST		REVISIONS			
P	LTR	DESCRIPTION	DATE	DWN	APVD		
GP	00	C	REV PER ECO-09-013331	16JUL2009	CR	MS	



1. CAGE ASSEMBLY, HEAT SINK CLIP AND HEAT SINK SHIPPED ASSEMBLED.
- ② HEAT SINK REFERENCE PART NUMBERS:
1829903-2 = 4.2 HIGH - PCI
1829904-2 = 6.5 HIGH - SAN
1829905-2 = 13.5 HIGH - NETWORKING
- ③ DIMENSION APPLIES PRIOR TO INSERTION OF SFP MODULE.
4. MATES WITH SFP MSA COMPLIANT TRANSCEIVERS.
5. SEE COMPONENT DRAWINGS FOR COMPONENT DIMENSIONS AND INFORMATION.

CAGE ASSEMBLY
REFERENCE PART NUMBER
1367643-1



VIEW SHOWN ASSEMBLED
SCALE 3:1

22.7 MAX	NETWORKING	1367645-3
15.7 MAX	SAN	1367645-2
13.4 MAX	PCI	1367645-1
H	APPLICATION	PART NUMBER

<small>THIS DRAWING IS A CONTROLLED DOCUMENT FOR TYCO ELECTRONICS CORPORATION. IT IS SUBJECT TO CHANGE AND THE CONTROLLING ENGINEERING ORGANIZATION SHOULD BE CONTACTED FOR THE LATEST REVISION.</small>		DWN D.E.STAHL 06FEB06 CHK E.J.BRIGHT 06FEB06 APVD E.J.BRIGHT 06FEB06	Tyco Electronics Harrisburg, PA 17105-3608
DIMENSIONS: mm 	TOLERANCES UNLESS OTHERWISE SPECIFIED: 0 PLC ± 1 PLC ± 2 PLC ± 3 PLC ± 4 PLC ± ANGLES ± FINISH	PRODUCT SPEC 108-1950 APPLICATION SPEC 114-13178 WEIGHT -	NAME KIT ASSEMBLY, PRESS FIT, DWDM SFP SIZE CAGE CODE DRAWING NO RESTRICTED TO A200779 C-1367645 -
MATERIAL -		CUSTOMER DRAWING	SCALE 4:1 SHEET 1 OF 1 REV C

1367645