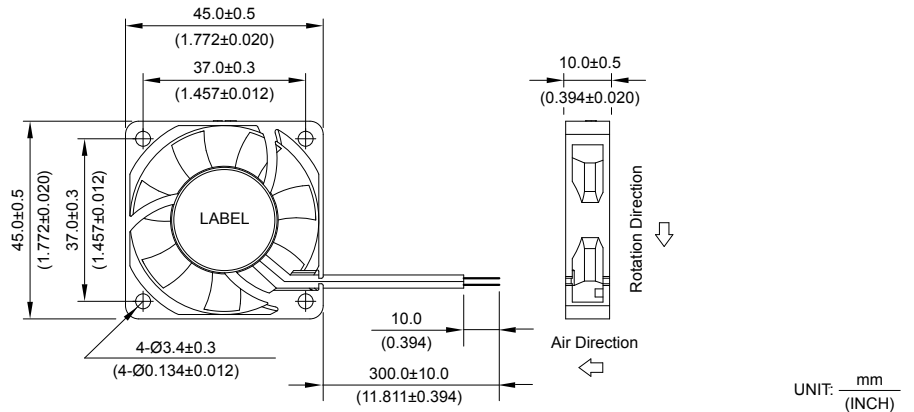


New



ASB 45 x 45 x 10 MM SERIES

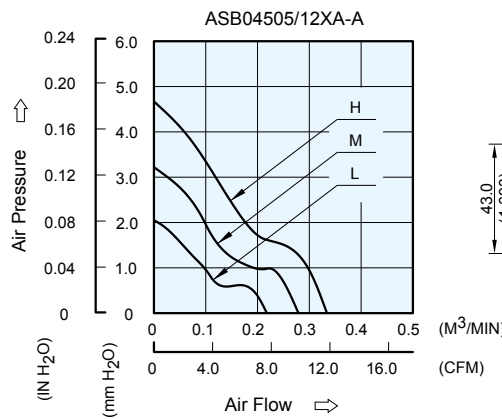
DIMENSIONS DRAWING



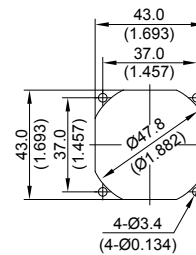
- * Bearing Type
Sleeve Bearing
- * Material
Impeller & Frame : Plastic (UL 94V-0)
- * Lead Wires :
UL 1007 AWG #28 OR Equivalent
Red Wire Positive (+)
Black Wire Negative(-)
- * Weight : 15.7g (0.55 oz)
- * Rib Type Only

P & Q CURVE (AT RATED VOLTAGE)

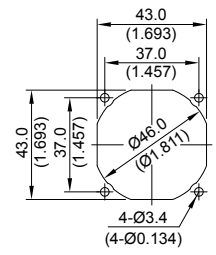
MOUNTING PANEL CUTOUT



OUTLET SIDE



INLET SIDE



UNIT: mm (INCH)

| MODEL | | | Rated Voltage | Operating Voltage Range | Rated Current | Rated Input Power | Speed | Maximum Air Flow | | Maximum Air Pressure | | Noise |
|------------|------|-------------|---------------|-------------------------|---------------|-------------------|--------|---------------------|-------|----------------------|---------------------|-------|
| PART NO. | REV. | FUNCTION | VDC | VDC | Amp | Watt | R.P.M. | m ³ /min | CFM | mmH ₂ O | IN H ₂ O | dB-A |
| ASB04505LA | -A | -R00 / -F00 | 5 | 4.0 to 5.5 | 0.11 | 0.55 | 4000 | 0.218 | 7.70 | 2.05 | 0.081 | 24.5 |
| ASB04512LA | -A | -R00 / -F00 | 12 | 9.0 to 13.8 | 0.06 | 0.72 | | | | | | |
| ASB04505MA | -A | -R00 / -F00 | 5 | 4.0 to 5.5 | 0.17 | 0.85 | 5000 | 0.279 | 9.85 | 3.22 | 0.127 | 30.0 |
| ASB04512MA | -A | -R00 / -F00 | 12 | 7.0 to 13.8 | 0.09 | 1.08 | | | | | | |
| ASB04505HA | -A | -R00 / -F00 | 5 | 4.0 to 5.5 | 0.27 | 1.35 | 6000 | 0.334 | 11.80 | 4.67 | 0.184 | 34.5 |
| ASB04512HA | -A | -R00 / -F00 | 12 | 7.0 to 13.8 | 0.12 | 1.44 | | | | | | |

* Function type is optional.
 * The max. air flow and the speed are measured in free air ; max. air pressure is measured at zero air flow.
 * Noise is measured in anechoic chamber in free air, one meter from intake side.
 * All readings are typical values at rated voltage.
 * Specifications are subject to change without notice.