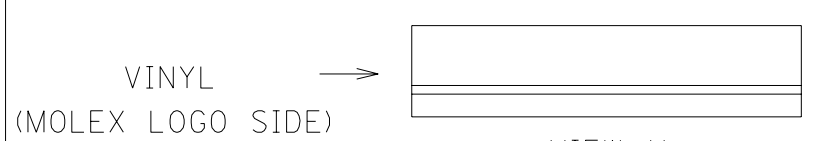


DWG. NO.
SD-35303-001

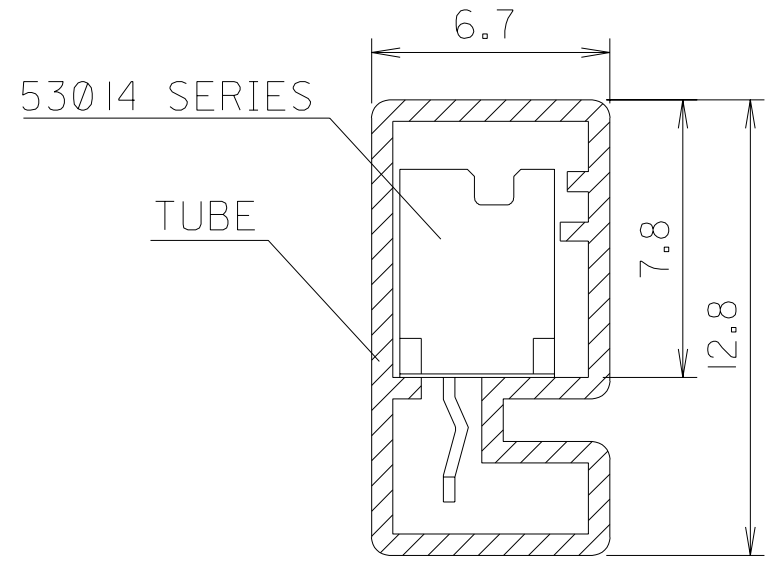
SIMILAR ITEM

PROJECT NO.



NOTES
 1. TUBE : STOPPER & VINYL LOCKING TYPE
 2. THICKNESS : 0.6+
 3. LENGTH : 550mm

LEGEND 35303-*** 5 *
 COLOR : 0 --- NATURAL
 1 --- BLACK
 2 --- RED
 3 --- YELLOW
 4 --- BLUE
 CKT (02, 03, 04, ...)



15	35303155*	35303-155*	8	35303085*	35303-085*	53014 SERIES	
14	35303145*	-145*	7	35303075*	-075*		
13	35303135*	-135*	6	35303065*	-065*		
12	35303125*	-125*	5	35303055*	-055*		
11	35303115*	-115*	4	35303045*	-045*		
10	35303105*	-105*	3	35303035*	-035*		
9	35303095*	35303-095*	2	35303025*	35303-025*		
CKTS	MAT'L NO.	ENG NO.	CKTS	MAT'L NO.	ENG NO.		USED ON

NEW RELEASED
 EC NO. KOR2004-0124
 DRWN: K.S.KIM (040324)
 CH'K: J.K.OH
 APPR: C.W.LEE

QUALITY SYMBOLS
 MAJOR
 CRITICAL

GENERAL TOLERANCES:
 (UNLESS SPECIFIED)

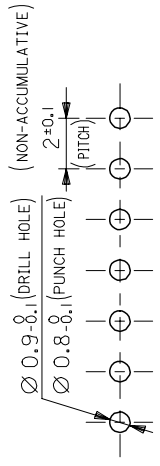
	mm	INCH
4 PLACES	±0.	±.
3 PLACES	±0.	±.
2 PLACES	±0.	±.
1 PLACE	±0.	±.

ANGULAR: ± °

DRAFT WHERE APPLICABLE MUST REMAIN WITHIN DIMENSIONS

SCALE NONE
 DESIGN UNITS mm INCH
 THIRD ANGLE PROJECTION
 DRAWN BY & DATE
 H.S.SHIN (910220)
 CHECKED BY & DATE
 J.K.OH
 APPROVED BY & DATE
 C.W.LEE
 CAD FILENAME
 SD-35303-001

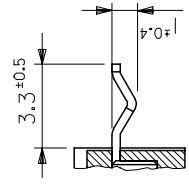
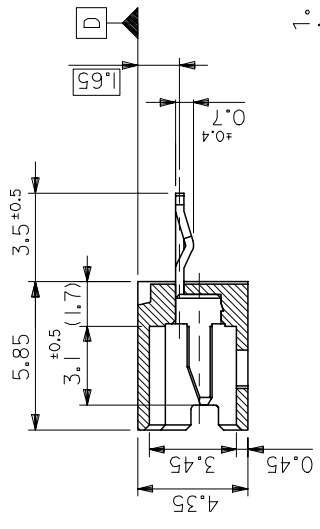
DIMENSIONS:
 mm INCH mm ONLY
 SHT REV
 REVISE ON CAD ONLY
 TITLE:
 TUBE PACKAGED FOR 53014 SERIES
 MOLEX INCORPORATED KOREA
 MATERIAL NO. SEE TABLE
 DRAWING NO. SD-35303-001
 SHEET NO. 1 OF 1
 THIS DRAWING CONTAINS INFORMATION THAT IS PROPRIETARY TO MOLEX INCORPORATED AND SHOULD NOT BE USED WITHOUT WRITTEN PERMISSION.
 SIZE A



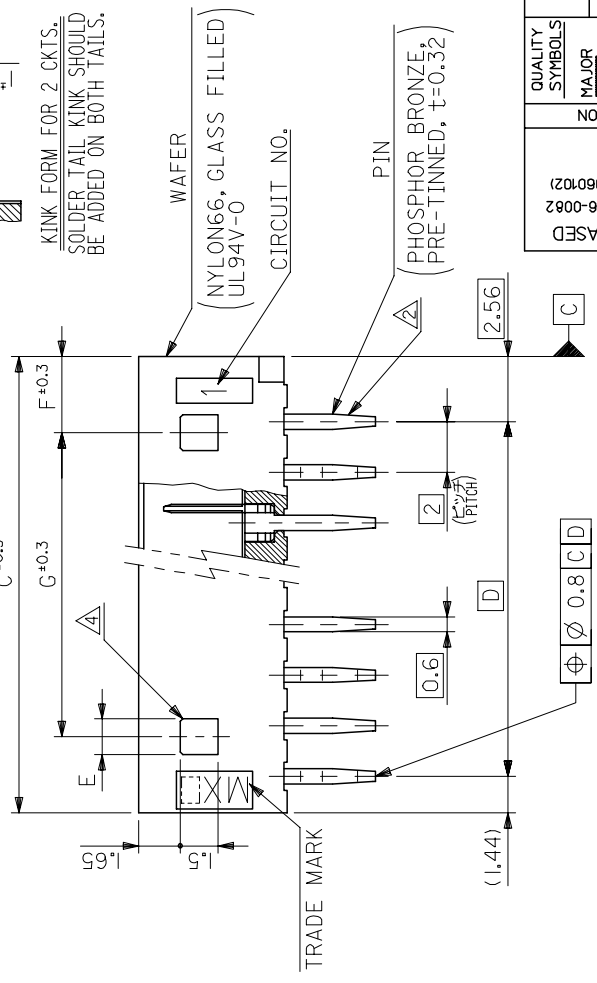
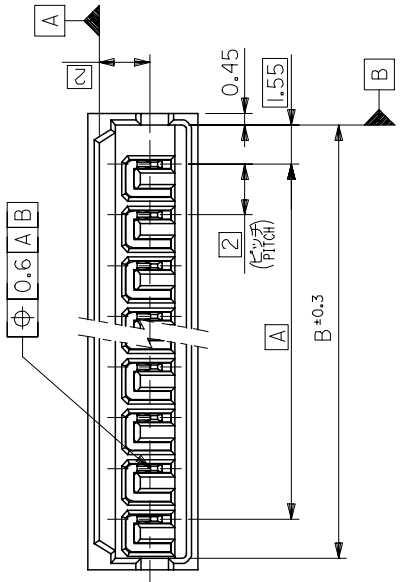
RECOMMENDED P.C. BOARD
HOLE DIMENSION(REFERENCE) t=1.6

NOTES

- MATES WITH : 51004-***00
- KINK TO BE ADDED ON THE ODD NUMBER SOLDER TAILS.(FROM THE TRADE MARK SIDE.)
- * MARK INDICATES DYED COLOR :
"0" NATURAL, "1" BLACK, "2" RED, "3" YELLOW, "4" BLUE
- LOCKING HOLE : 1 PLACE FOR 2, 3 CKTS. AND MORE THAN 4 CKTS.



KINK FORM FOR 2 CKTS.
SOLDER TAIL KINK SHOULD BE ADDED ON BOTH TAILS.



DO NOT SCALE DRAWING
DIMENSION IN METRIC

NEW RELEASED	DRW: K.S.KIM (060102)	CHK: Y.SOO/KIM	APP: S.H.CHOI
A	ECN NO. KOR2006-0082		
DESCRIPTION			

QUALITY SYMBOLS	MAJOR	CRITICAL
GENERAL TOLERANCES (UNLESS SPECIFIED)	±	±
4 PLACES ±0.	±	±
3 PLACES ±0.	±	±
2 PLACES ±0.	±	±
1 PLACE ±0.	±	±
ANGULAR: ±	°	

ANGLE	±3°
30 OVER	±0.3
10 OVER 30 UNDER	±0.25
10 UNDER	±0.2
GENERAL TOLERANCES	

SCALE	DESIGN UNITS	THIRD ANGLE PROJECTION	TITLE
5:1	mm/inch	mm/inch	2.0 LOW PROFILE WAFER ASSY
DRAWN BY & DATE	CHECKED BY & DATE	APPROVED BY & DATE	
K.S.KIM (060102)	Y.SOO/KIM	S.H.CHOI	
CAD FILENAME	DRAWING NO.	SHEET NO.	REV
	SD-35303-010	1 OF 1	NO. OF CKTS.
			NO. OF CKTS.

PROJECT NO.	SMILAR ITEM	DWG. NO.	SCALE	DESIGN UNITS	THIRD ANGLE PROJECTION <th>TITLE <th>APPLIED ITEM</th> <th>ENG. NO.</th> <th>NO. OF CKTS.</th> </th>	TITLE <th>APPLIED ITEM</th> <th>ENG. NO.</th> <th>NO. OF CKTS.</th>	APPLIED ITEM	ENG. NO.	NO. OF CKTS.
4			5:1	mm/inch	mm/inch	2.0 LOW PROFILE WAFER ASSY			
26	3	1.4	28	31.1	28	53014-15*	35303-155*	15	
24	3	1.4	26	29.1	26	-14*	35303-145*	14	
22	3	1.4	24	27.1	24	-13*	35303-135*	13	
20	3	1.4	22	25.1	22	-12*	35303-125*	12	
18	3	1.4	20	23.1	20	-11*	35303-115*	11	
16	3	1.4	18	21.1	18	-10*	35303-105*	10	
14	3	1.4	16	19.1	16	-09*	35303-095*	9	
12	3	1.4	14	17.1	14	-08*	35303-085*	8	
10	3	1.4	12	15.1	12	-07*	35303-075*	7	
8	3	1.4	10	13.1	10	-06*	35303-065*	6	
6	3	1.4	8	11.1	8	-05*	35303-055*	5	
4	3	1.4	6	9.1	6	-04*	35303-045*	4	
---	4	3.4	4	7.1	4	-03*	35303-035*	3	
---	3	1.4	2	5.1	2	53014-02*	35303-025*	2	
G	F	E	D	C	B	A	ENG. NO.	NO. OF CKTS.	

DO NOT SCALE DRAWING
DIMENSION IN METRIC

GENERAL TOLERANCES	±
ANGULAR: ±	°
10 UNDER	±0.2
10 OVER 30 UNDER	±0.25
30 OVER	±0.3
ANGLE	±3°

DESCRIPTION	
MAJOR	
CRITICAL	

SCALE	DESIGN UNITS	THIRD ANGLE PROJECTION	TITLE
5:1	mm/inch	mm/inch	2.0 LOW PROFILE WAFER ASSY
DRAWN BY & DATE	CHECKED BY & DATE	APPROVED BY & DATE	
K.S.KIM (060102)	Y.SOO/KIM	S.H.CHOI	
CAD FILENAME	DRAWING NO.	SHEET NO.	REV
	SD-35303-010	1 OF 1	NO. OF CKTS.
			NO. OF CKTS.

THIS DRAWING CONTAINS INFORMATION THAT IS PROPRIETARY TO MOLEX INCORPORATED AND SHOULD NOT BE USED WITHOUT WRITTEN PERMISSION.

MOLEX MOLEX INCORPORATED

KOREA

MX-A3