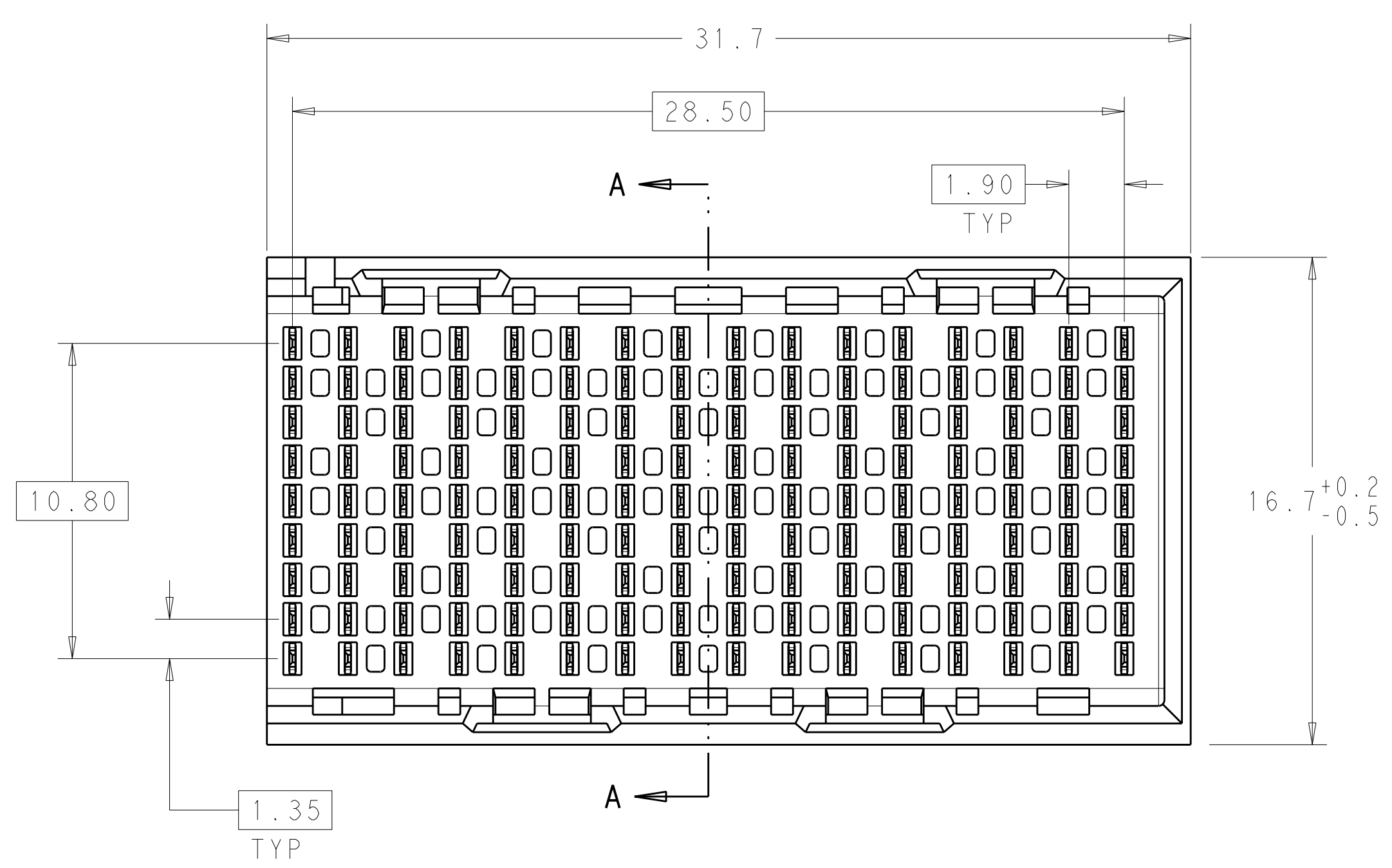
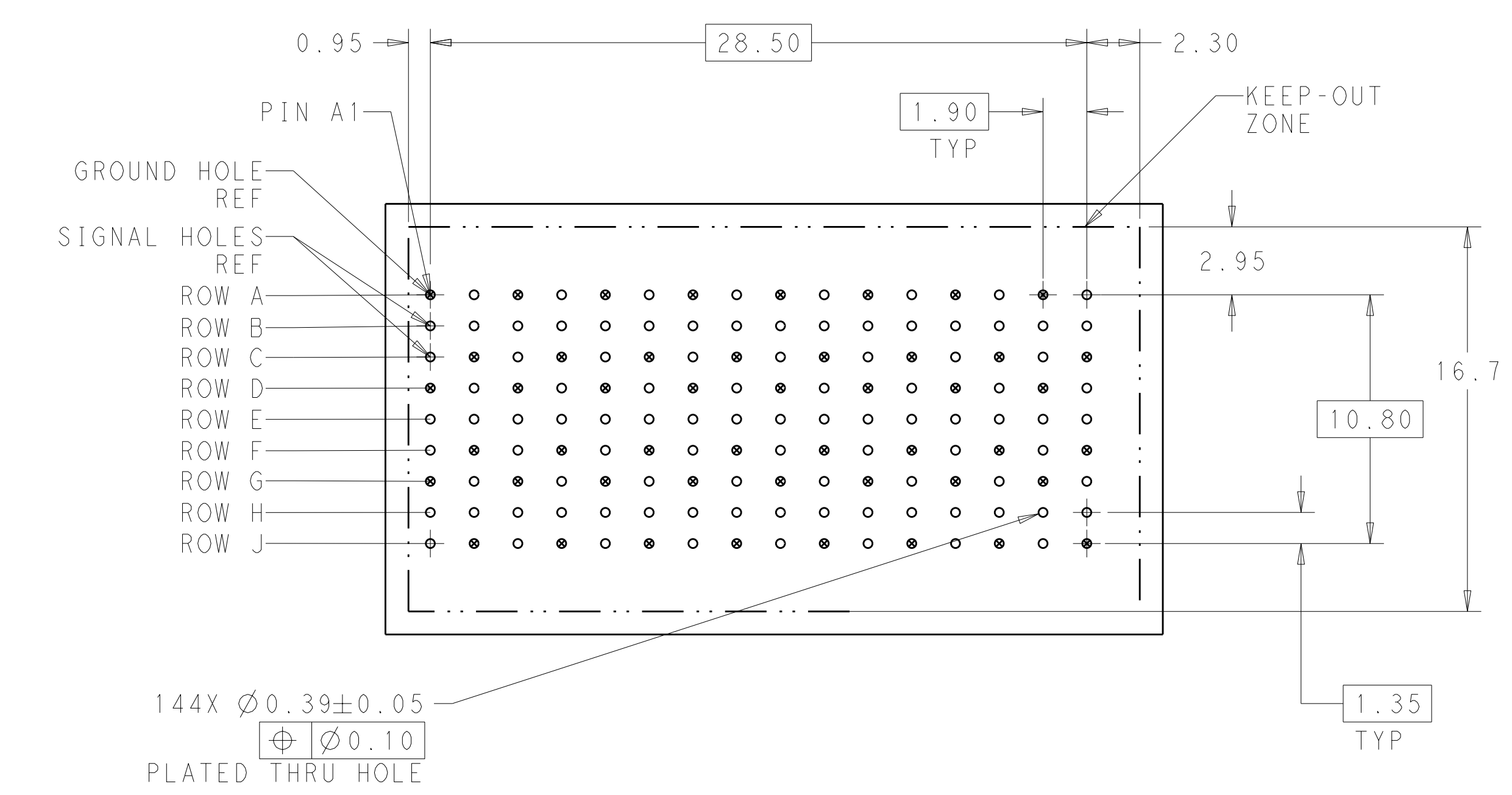
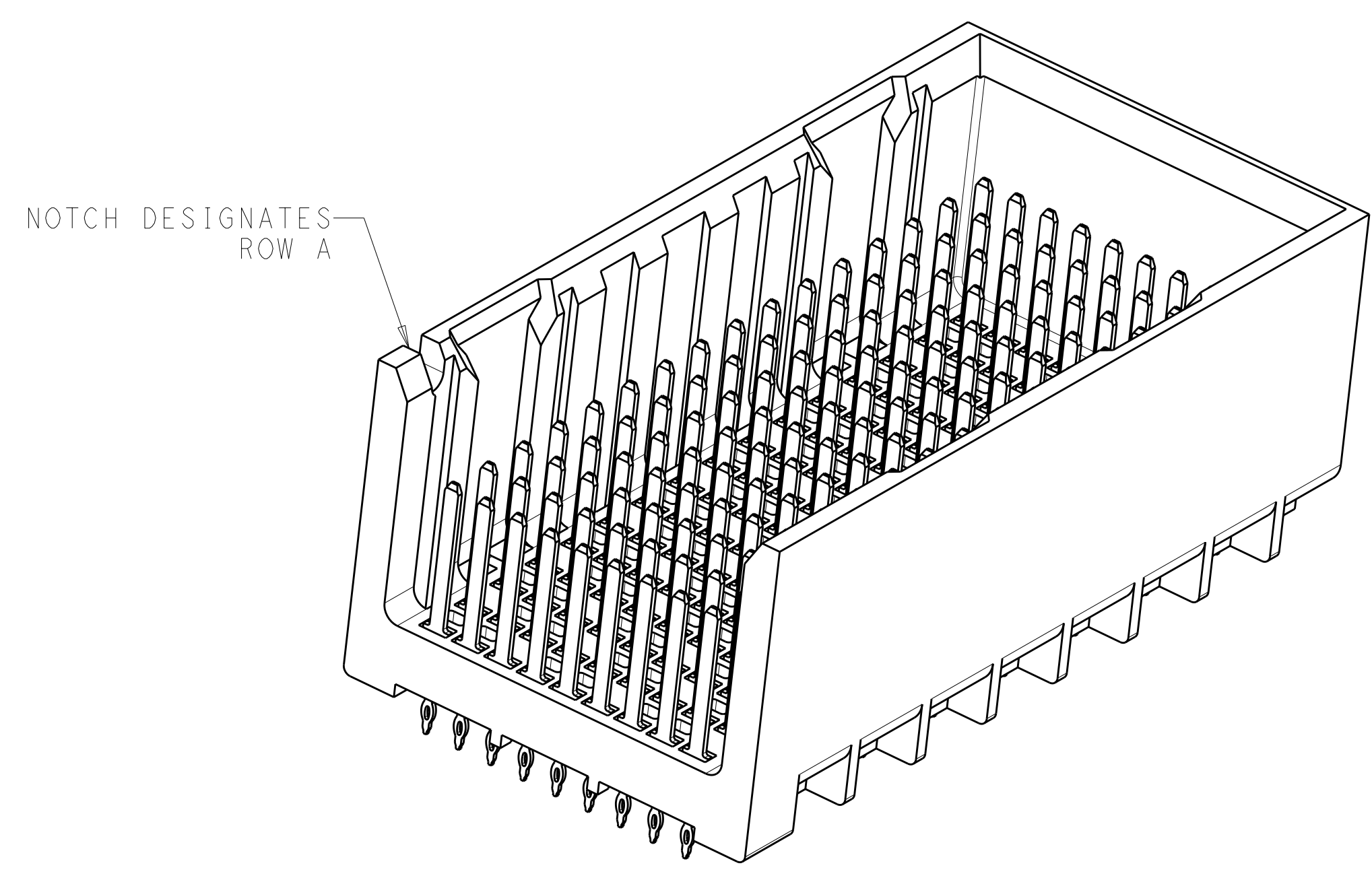


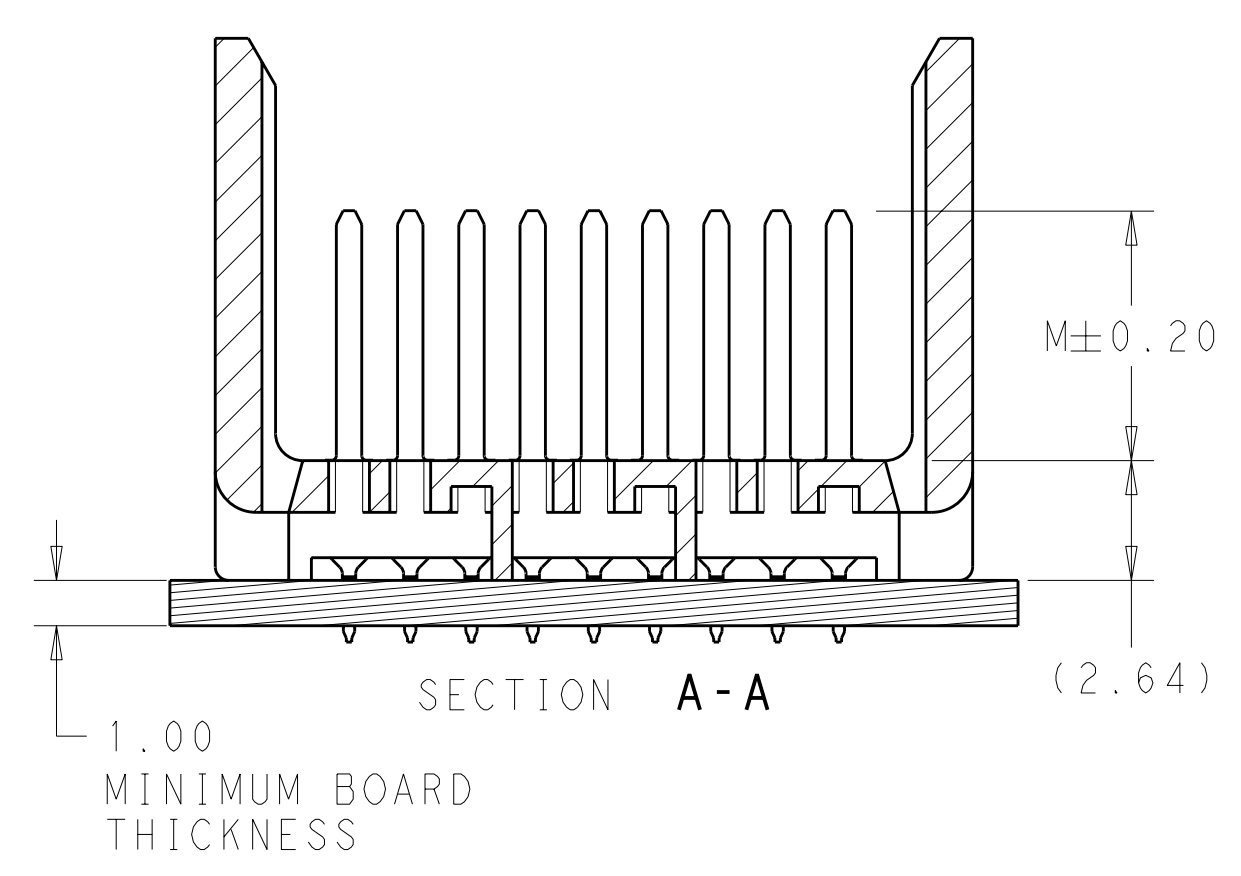
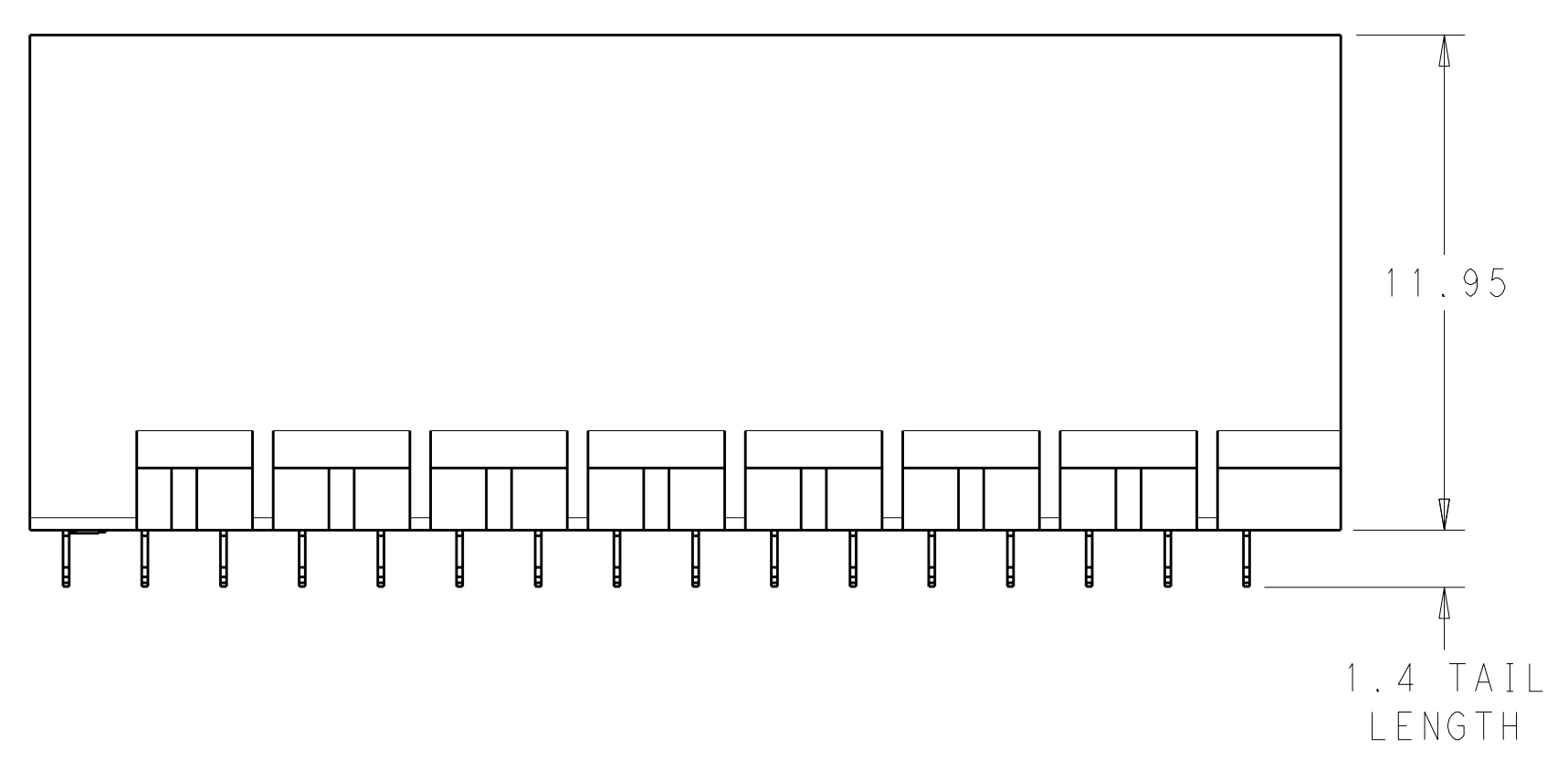
LOC		DIST		REVISIONS			
AD	00	P	LTR	DESCRIPTION	DATE	DWN	APVD
		C		REVISED PER ECO-11-025276	26DEC11	KH	DY



- 1 MATERIAL:  
HOUSING: LCP, GLASS FILLED, UL94V-0.  
TERMINALS: HIGH PERFORMANCE COPPER ALLOY.
- 2 FINISH:  
30μ" MIN GOLD IN CONTACT AREA. SELECTIVE TIN  
ON PCB TAILS, NICKEL OVERALL.
- 3 FINISH:  
30μ" MIN GOLD IN CONTACT AREA. SELECTIVE TIN-LEAD  
ON PCB TAILS, NICKEL OVERALL.



UNGUIDED  
BACKPLANE HOLE PATTERN  
(CONNECTOR SIDE)



THIS DRAWING IS A CONTROLLED DOCUMENT.		DWN J. K. SHOBER 21DEC2010	TE Connectivity
DIMENSIONS: mm		CHK J. EABY 21DEC2010	
TOLERANCES UNLESS OTHERWISE SPECIFIED: 9 PLC ± 1 PLC ±0.25 3 PLC ±0.13 4 PLC ± ANGLES ± FINISH SEE TABLE		APVD J. EABY 21DEC2010	NAME IMPACT, 3 PAIR, 16 COLUMN, HEADER UNGUIDED, RIGHT END WALL SIGNAL MODULE, 0.39 PTH
MATERIAL		PRODUCT SPEC	SIZE CAGE CODE DRAWING NO RESTRICTED TO
		APPLICATION SPEC	A1100779C=2007807
		WEIGHT	CUSTOMER DRAWING
		SCALE 6:1	SHEET 1 OF 2 REV C

THIS DRAWING IS UNPUBLISHED. RELEASED FOR PUBLICATION 2011  
 © COPYRIGHT 2011 ALL RIGHTS RESERVED.

LOC	DIST	REVISIONS				
AD	00	P	LTG	DATE	DWN	APVD
		-	-	SEE SHEET 1	-	-

FINISH	DIM M	PART NUMBER
$\triangle_3$	5.5	2007807-6
$\triangle_3$	4.9	2007807-5
$\triangle_3$	4.5	2007807-4
$\triangle_2$	5.5	2007807-3
$\triangle_2$	4.9	2007807-2
$\triangle_2$	4.5	2007807-1

REFER TO WWW.TE.COM  
FOR PRODUCT AVAILABILITY

THIS DRAWING IS A CONTROLLED DOCUMENT.		DWN J. K. SHOBER 21DEC2010	
DIMENSIONS: mm		CHK J. EARY 21DEC2010	
TOLERANCES UNLESS OTHERWISE SPECIFIED: 9 PLC ±0.25 7 PLC ±0.13 5 PLC ± 4 PLC ± ANGLES ± FINISH SEE TABLE		APVD J. EARY 21DEC2010	NAME IMPACT, 3 PAIR, 16 COLUMN, HEADER UNGUIDED, RIGHT END WALL SIGNAL MODULE, 0.39 PTH
MATERIAL -	PRODUCT SPEC -	APPLICATION SPEC -	RESTRICTED TO -
CUSTOMER DRAWING		WEIGHT -	SCALE 5:1 SHEET 2 OF 2 REV C