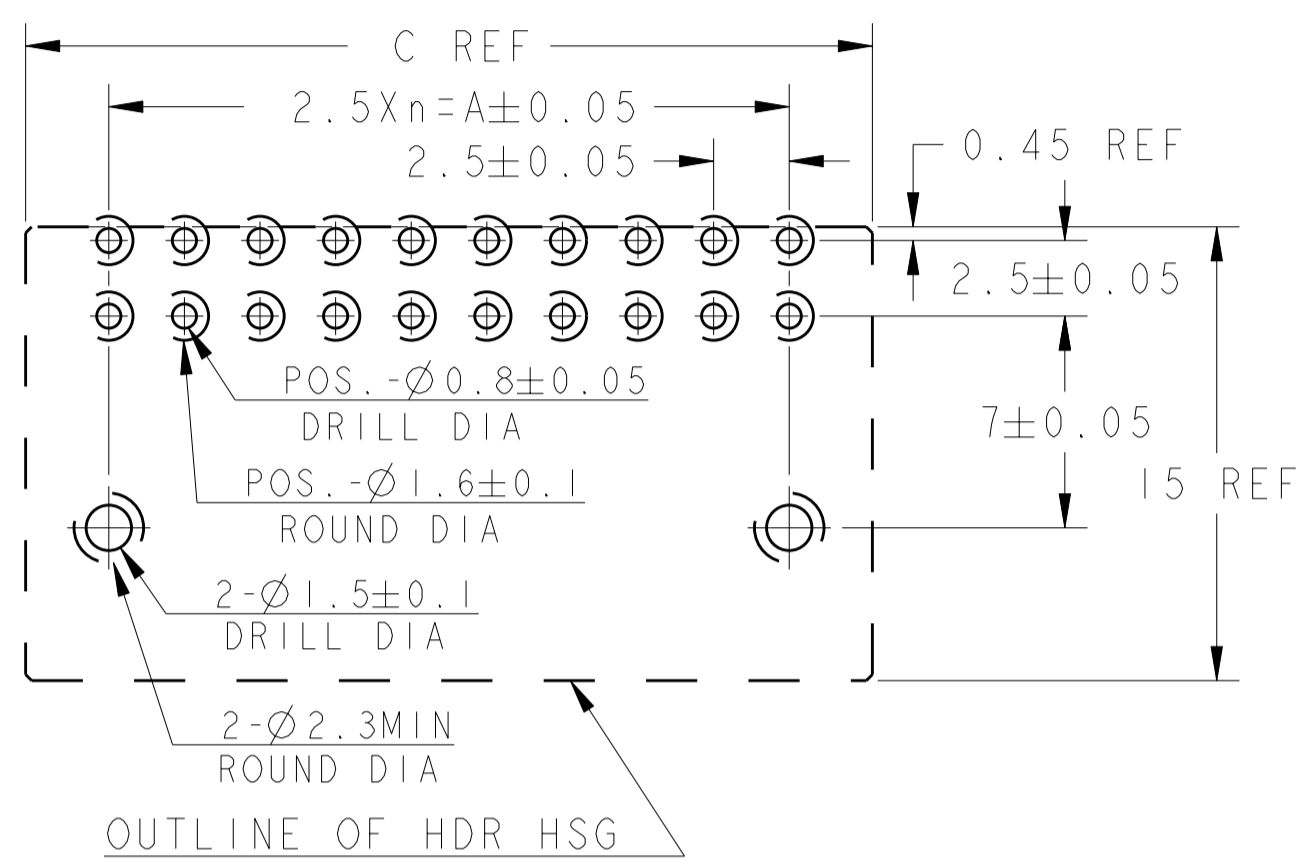
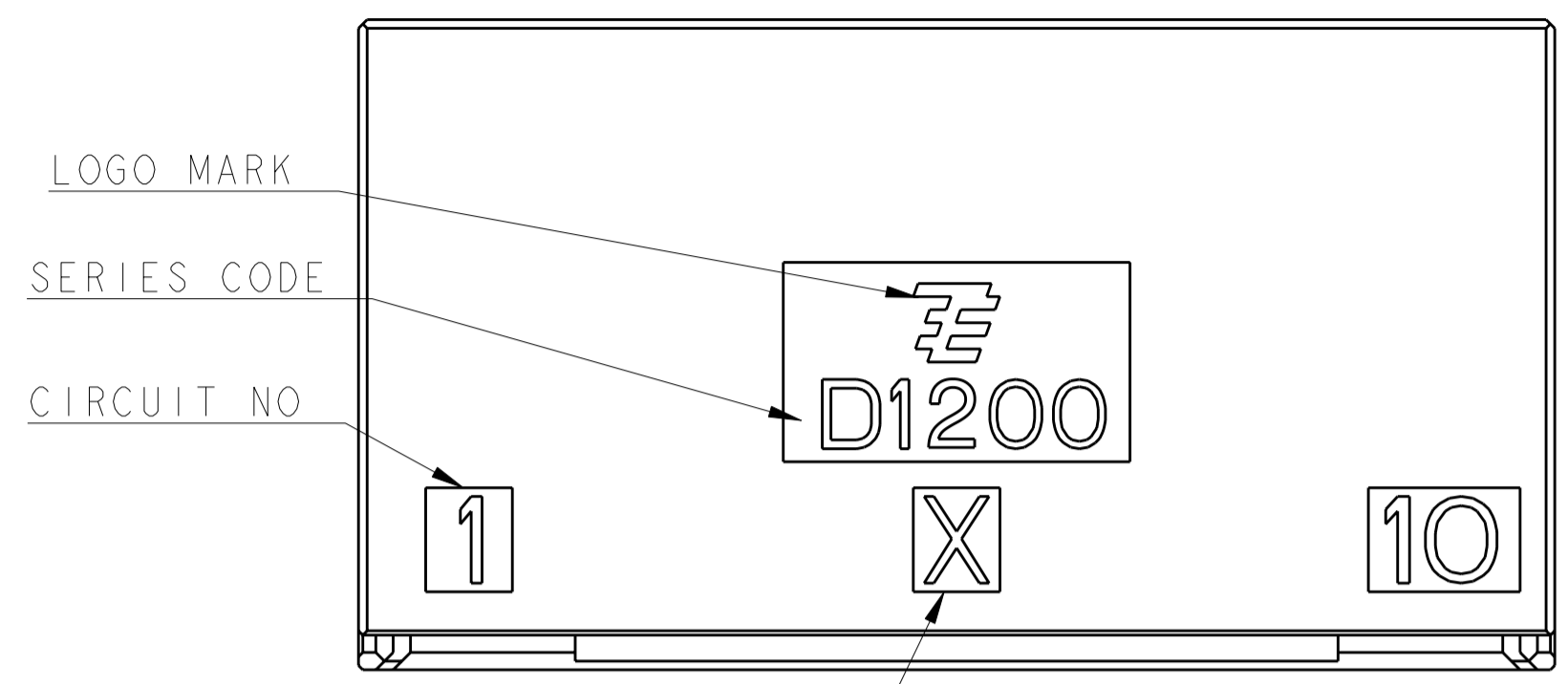


1. MATERIAL: HOUSING: GLASS FILED THERMO PLASTIC POLYESTER(94V-0), COLOR: BLACK  
 CONTACT: COPPER ALLOY  
 RETENTION LEG: PRE-TIN COPPER ALLOY

REVISONS				DATE	DWN	APVD
P	LTR	DESCRIPTION				
CI		REVISED PER ECO-11-005030	IAPR2011	RK	HMR	

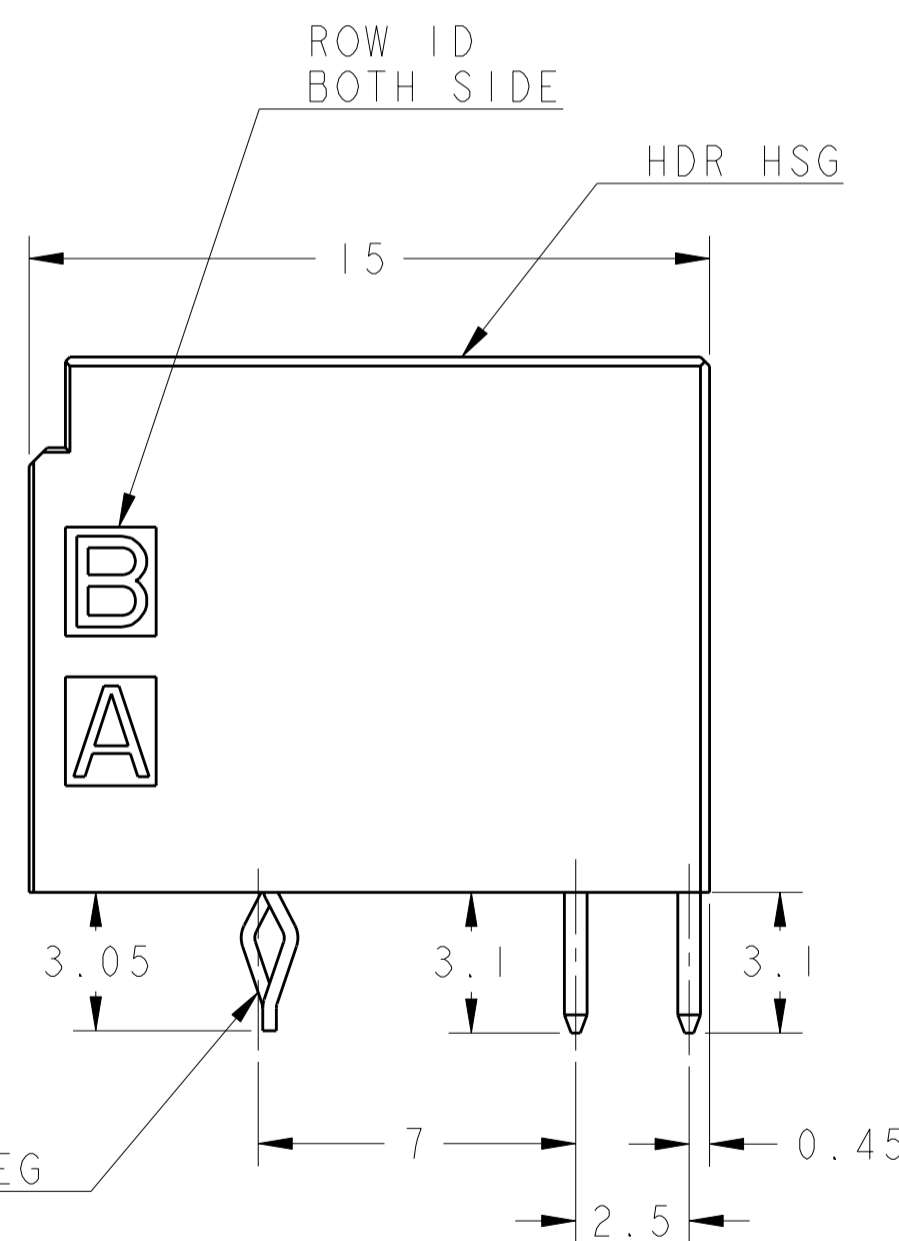
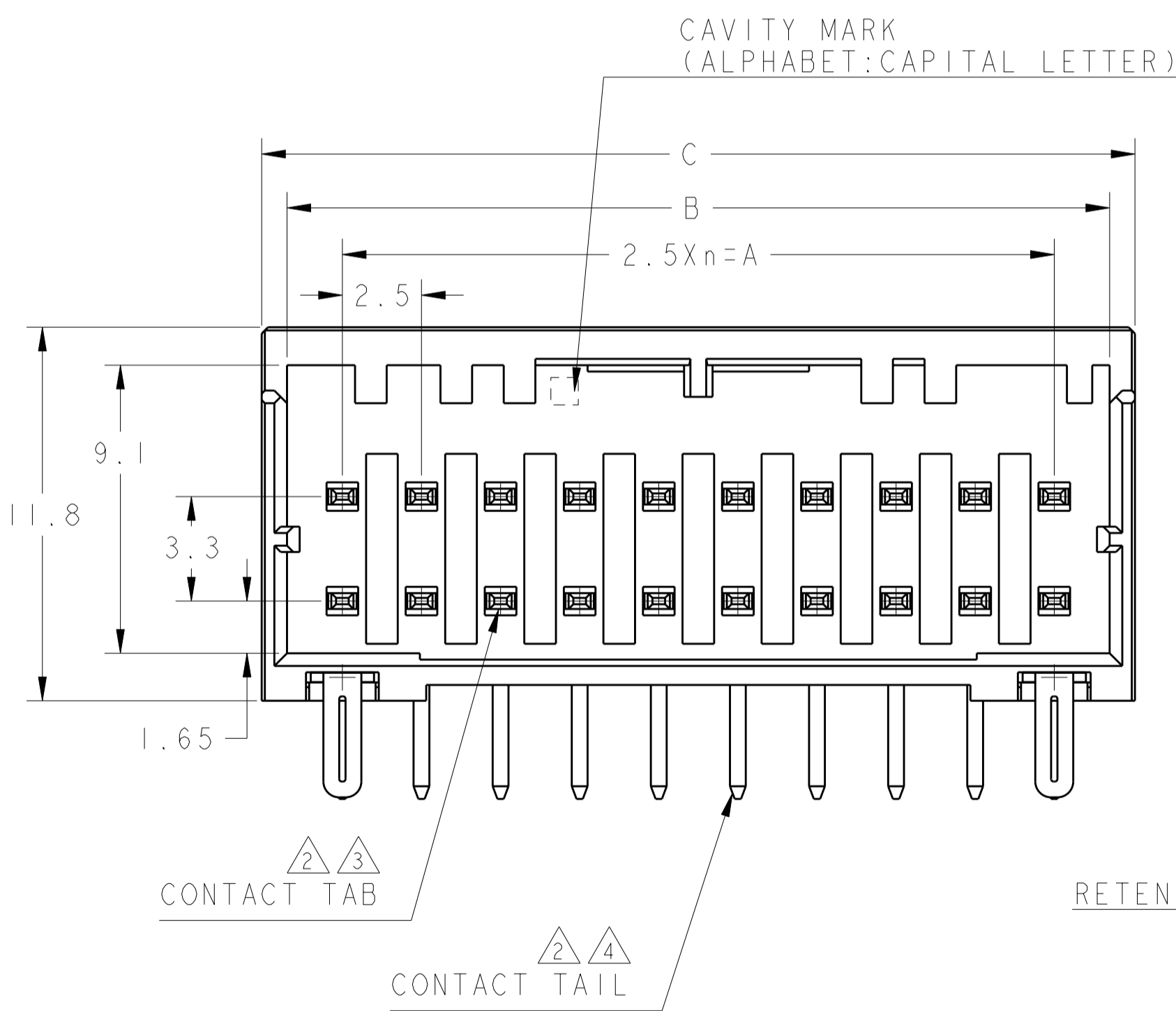
- ②. FINISH(ALL OVER): NICKEL PL. 1.27μmMIN
- ③. FINISH(CONTACT AREA): GOLD PL. 0.38μmMIN AFTER ②
- ④. FINISH(CONTACT TAIL): TIN PL. 2μmMIN AFTER ②
- 5. THE SHAPE, SIZE AND POSITION OF THE CHARACTER SHOW THE OUTLINE. THEY DON'T SHOW DETAILS.
- 6. THE KEYING ARRANGEMENT OF "Y" IS SYMMETRIC WITH "X".

- 1. 材料:ハウジング:ガラス入り熱可塑性ポリエステル樹脂(94V-0)、色:黒  
 コンタクト:銅合金  
 リテンションレグ:錫めっき済銅合金
- ②. めっき:全面:ニッケル下地めっき1.27μm以上
- ③. めっき:接触部②の上に金めっき0.38μm以上
- ④. めっき:コンタクト半田付部:②の上に錫めっき2μm以上
- 5. 文字の形状、大きさ、および位置については、大略を示すものであり、詳細を示すものではありません。
- 6. Y KEY形状は、X KEY形状と左右対称



推奨基板取付寸法 : コネクタ搭載面(非累積公差)  
 PC基板厚 : 1.0~1.6±0.1

RECOMMEND PC BOARD HOLE PATTERN : CONNECTOR MOUNT SIDE (NOT ACCUMULATE TOLERANCE)  
 PC BOARD THICKNESS : 1.0~1.6±0.1



AS SHOWN : 1-1827876-0 (20POS:X-KEY)  
 ONLY 4POS----SEE SHEET 2 OF 3

POS	KEY	n	A	B	C	PART NO
20	Y	9	22.5	26.0	27.6	2-1827876-0
20	X	9	22.5	26.0	27.6	1-1827876-0
12	Y	5	12.5	16.0	17.6	2-1827876-6
12	X	5	12.5	16.0	17.6	1-1827876-6
8	Y	3	7.5	11.0	12.6	2-1827876-4
8	X	3	7.5	11.0	12.6	1-1827876-4
6	Y	2	5.0	8.5	10.1	2-1827876-3
6	X	2	5.0	8.5	10.1	1-1827876-3
4	Y	1	2.5	6.0	7.6	2-1827876-2
4	X	1	2.5	6.0	7.6	1-1827876-2

1-1827876-0  
 (20POS:X-KEY)

THIS DRAWING IS A CONTROLLED DOCUMENT.

DWN	T. KUDO	13JAN2005
CHK	D. MITSUGI	14MAR2005
APVD	D. MITSUGI	14MAR2005

TE Connectivity

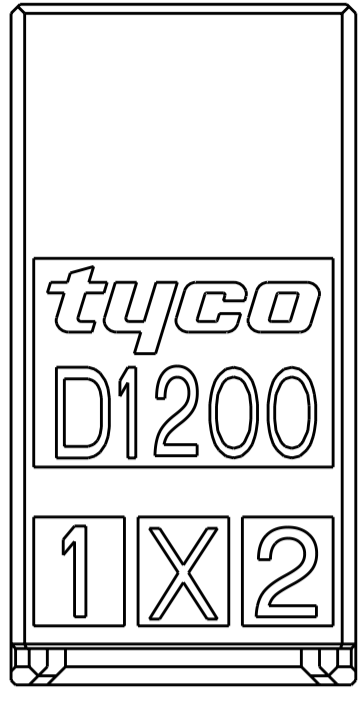
DYNAMIC DI200D 2.5mmPITCH HDR ASSY (H-TYPE) 4-20POS

SIZE	A2	CAGE CODE	00779	DRAWING NO	1827876
SCALE	6:1	SHEET	1	OF	3

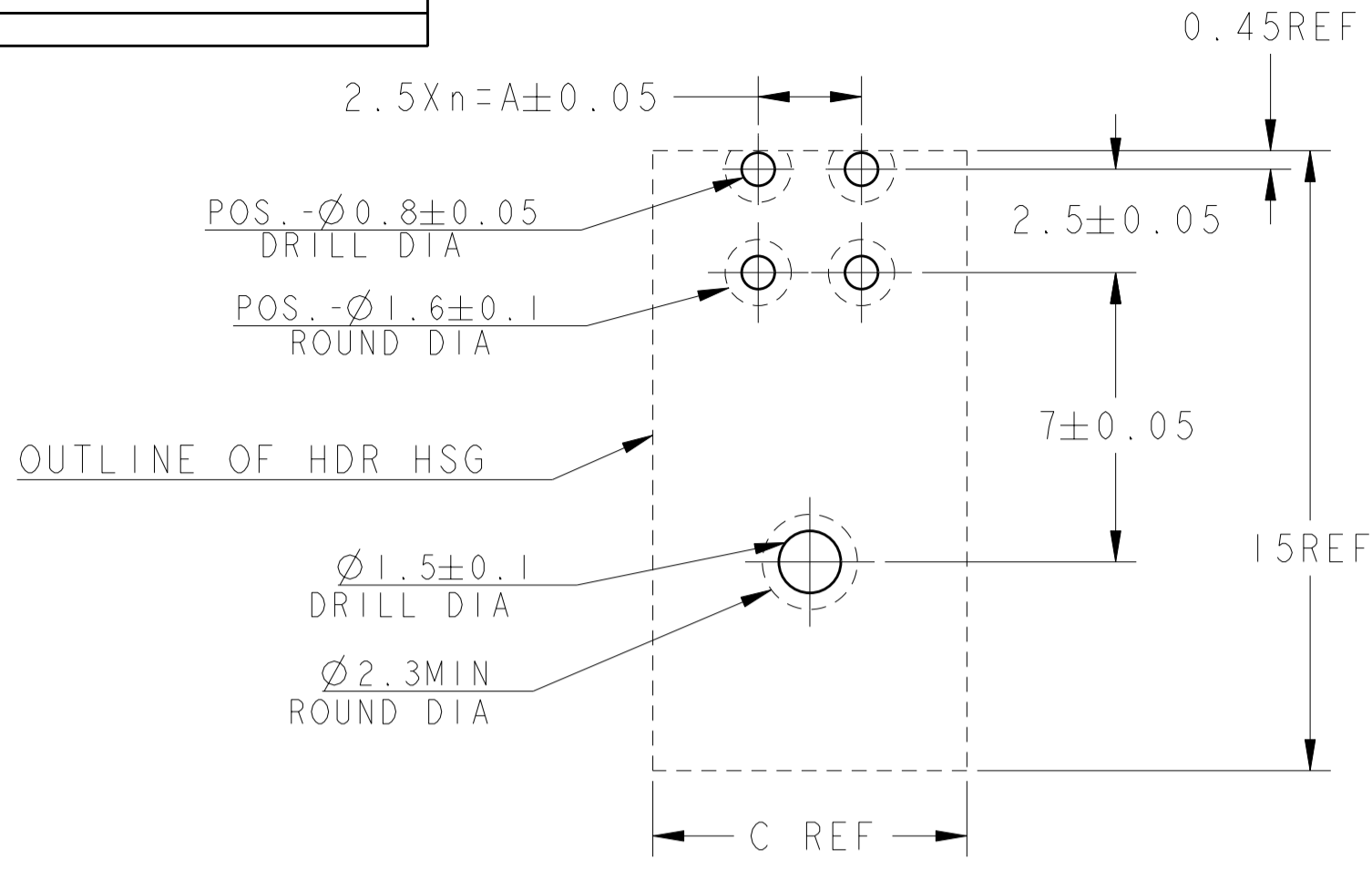
CUSTOMER DRAWING

THIS DRAWING IS UNPUBLISHED. RELEASED FOR PUBLICATION 20  
 © COPYRIGHT 20 ALL RIGHTS RESERVED.

LOC		DIST		REVISIONS			
P	LTR	DATE	DWN	APVD	DESCRIPTION		
J	-	-	-	-	SEE SHEET 1		



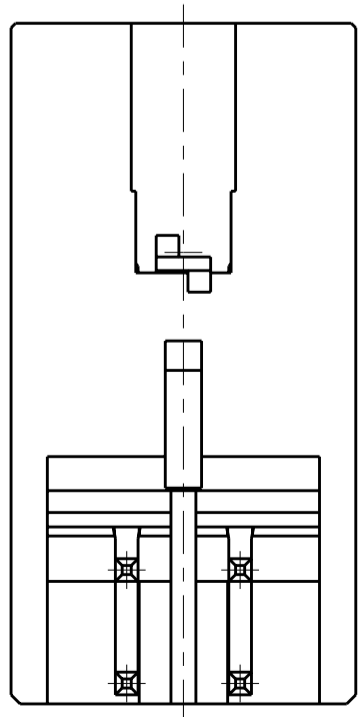
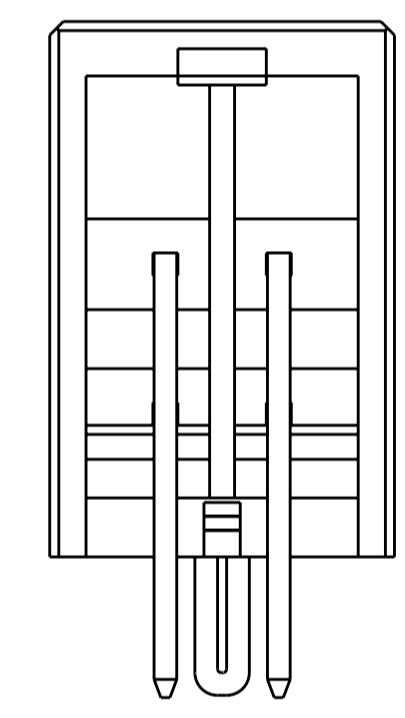
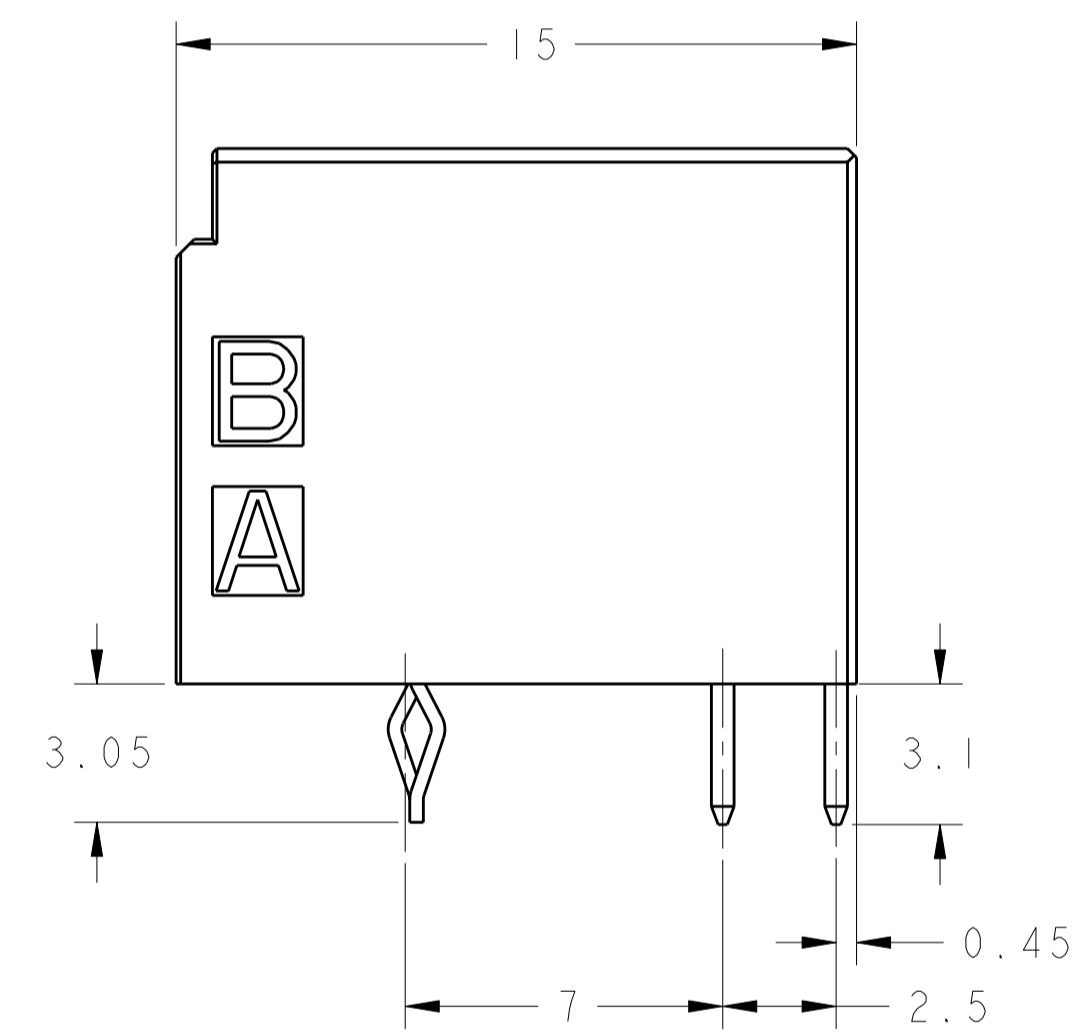
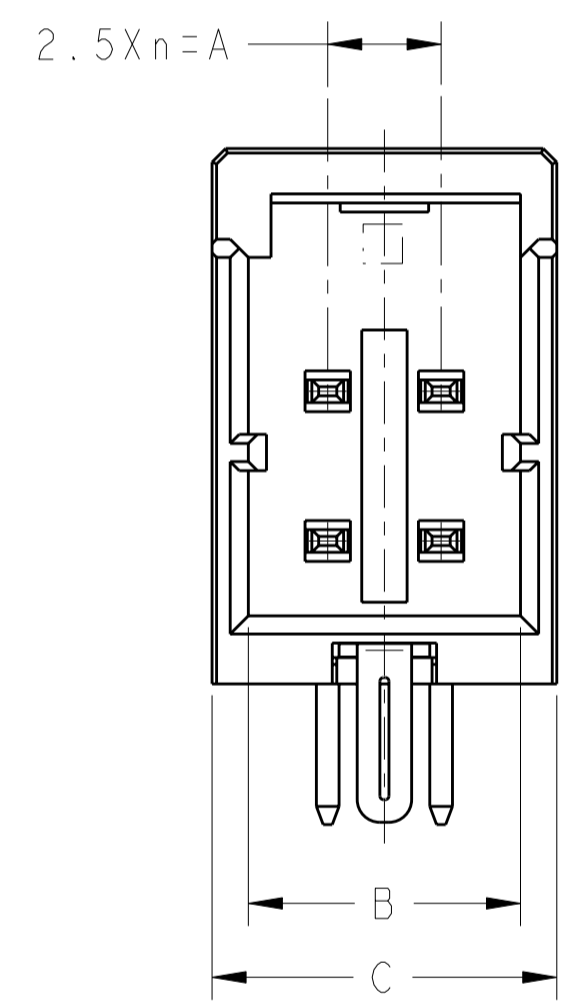
1-1827876-2  
(4POS: X-KEY)



推奨基板取付穴寸法 : コネクタ搭載面 (非累積公差)  
 PC基板厚 :  $1.0 \sim 1.6 \pm 0.1$

RECOMMEND PC BOARD HOLE PATTERN  
 : CONNECTOR MOUNT SIDE (NOT ACCUMULATE TOLERANCE)  
 PC BOARD THICKNESS :  $1.0 \sim 1.6 \pm 0.1$

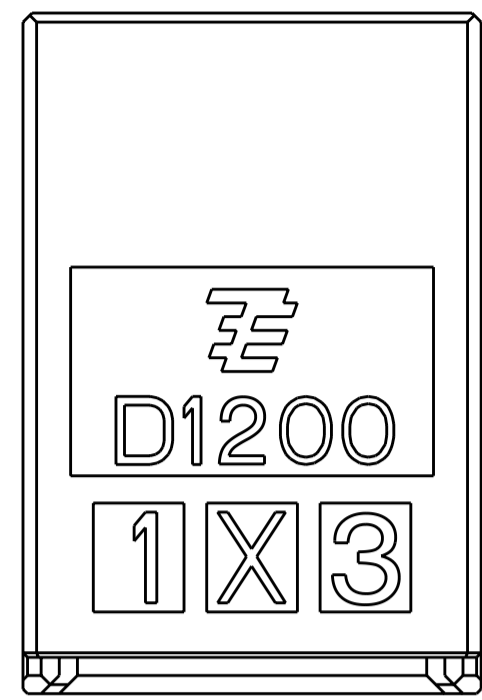
ONLY 4POS



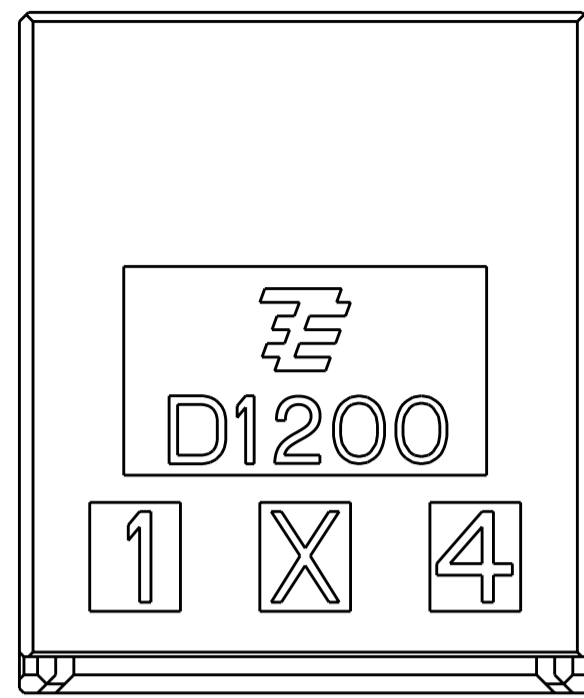
THIS DRAWING IS A CONTROLLED DOCUMENT.		DWN T. KUDO	13 JAN 2005	<b>STE</b> TE Connectivity	
DIMENSIONS: mm		CHK D. MITSUGI	14 MAR 2005		
MATERIAL		APVD D. MITSUGI	14 MAR 2005	NAME DYNAMIC D1200D 2.5mm PITCH HDR ASSY (H-TYPE) 4-20POS	
TO CHANGES UNLESS OTHERWISE SPECIFIED: 1. PLC ± 2. PLC ± 3. PLC ± 4. PLC ± ANGLES ± FINISH ±		PRODUCT SPEC 108-78268	APPLICATION SPEC 114-5377	SIZE A200779	CAGE CODE C-1827876
CUSTOMER DRAWING		WEIGHT -	SCALE 6:1	SHEET 2	OF 3

THIS DRAWING IS UNPUBLISHED. RELEASED FOR PUBLICATION 20  
 © COPYRIGHT 20 ALL RIGHTS RESERVED.

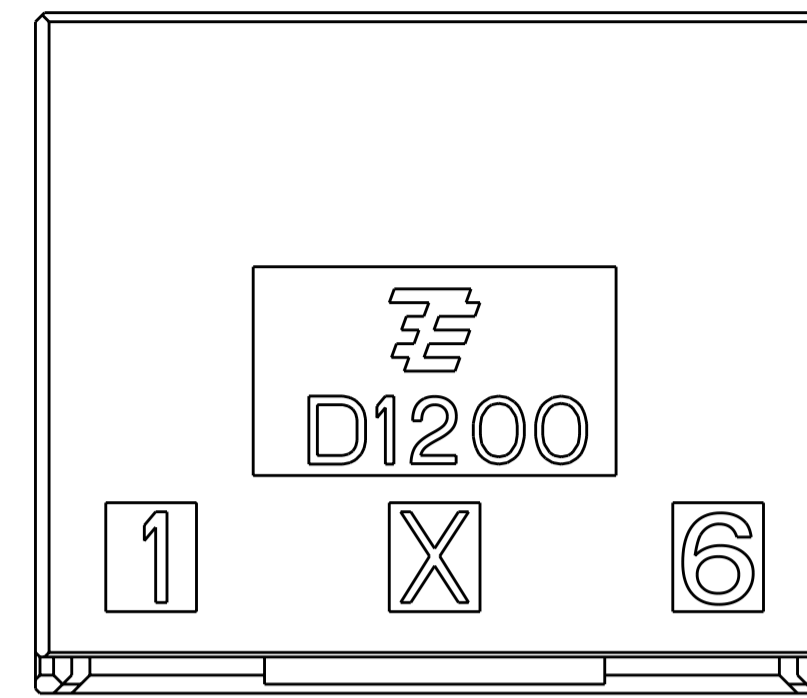
LOC	DIST	REVISIONS			
P	LTR	DESCRIPTION	DATE	DWN	APVD
J	-	SEE SHEET 1	-	-	-



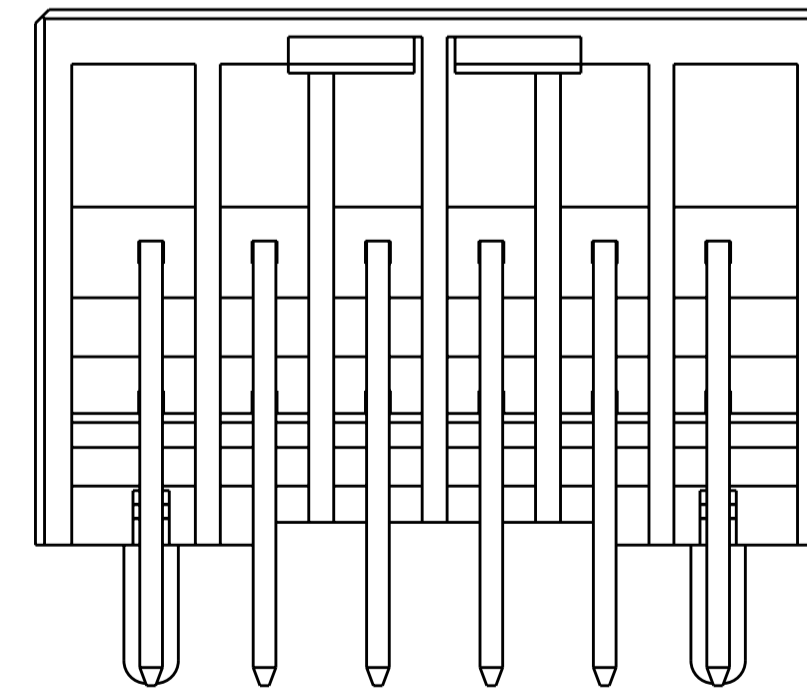
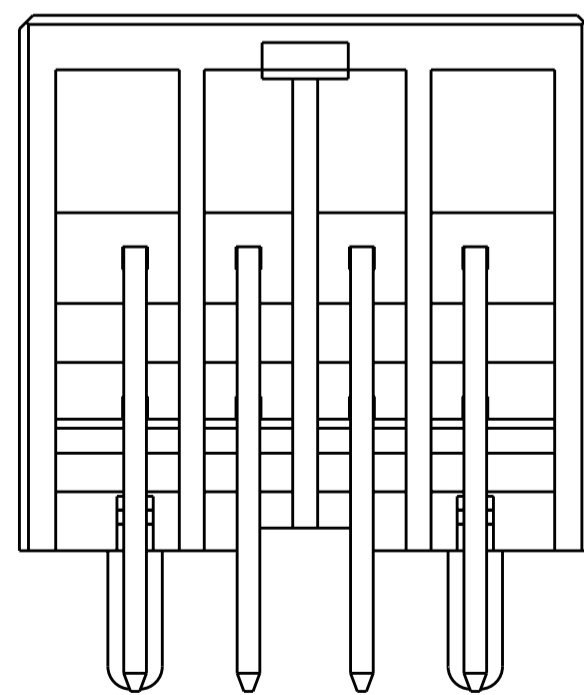
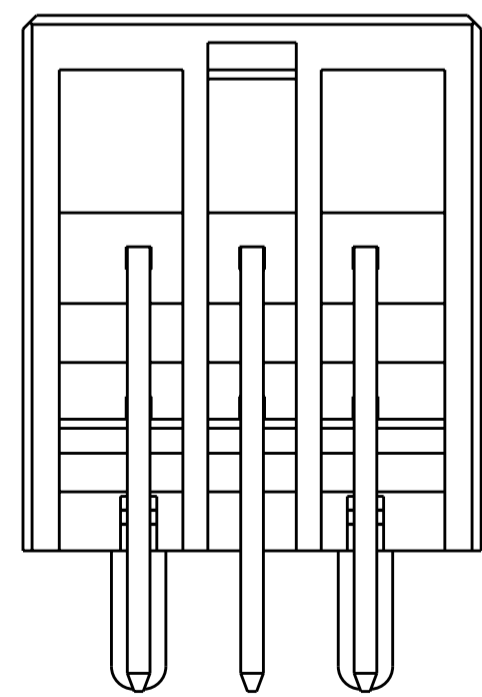
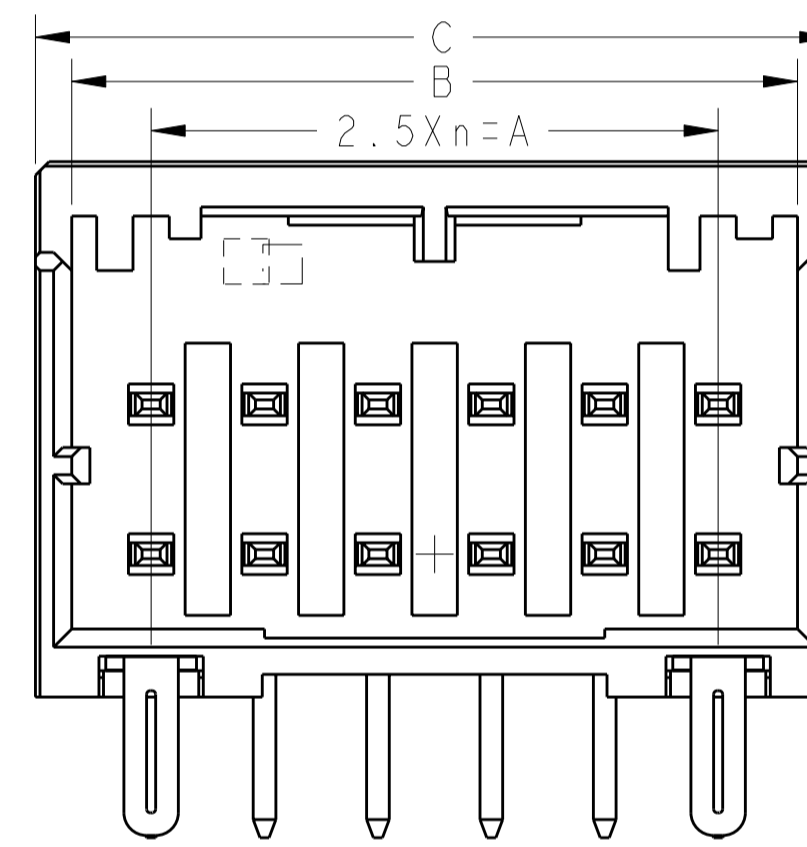
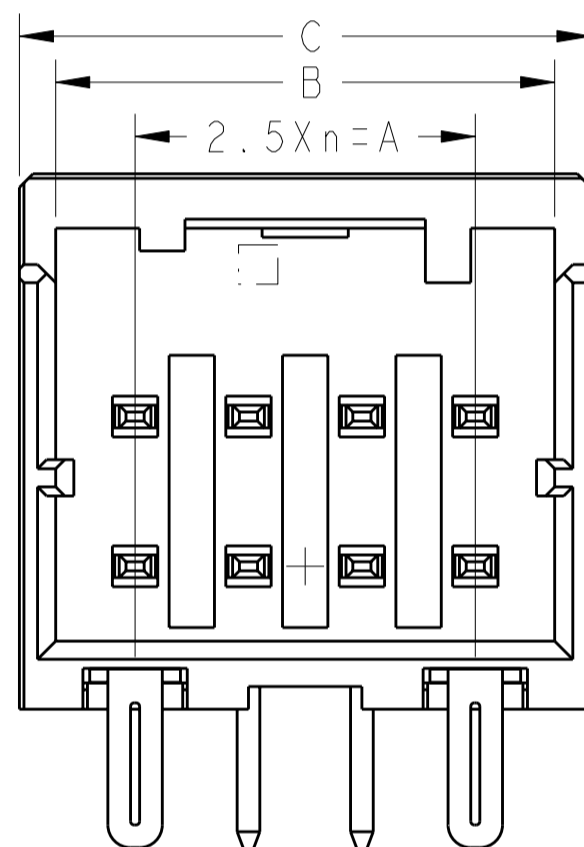
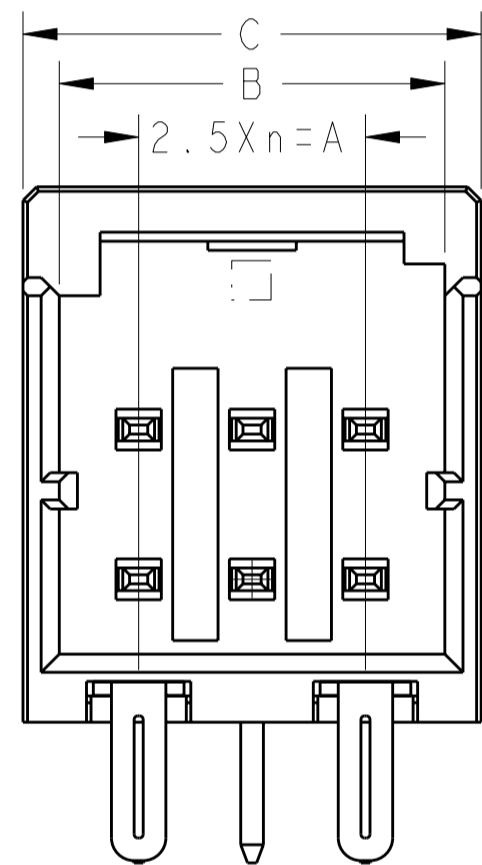
1-1827876-3  
(6POS:X-KEY)



1-1827876-4  
(8POS:X-KEY)



1-1827876-6  
(12POS:X-KEY)



THIS DRAWING IS A CONTROLLED DOCUMENT		DWN T. KUDO	16MAR2005	<b>STE</b> TE Connectivity
DIMENSIONS: mm		CHK D. MITSUGI	14MAR2005	
MATERIAL		APVD D. MITSUGI	14MAR2005	
TO DIMENSIONS UNLESS OTHERWISE SPECIFIED:		PRODUCT SPEC	108-78268	
1 PLC ±		APPLICATION SPEC	114-5377	NAME DYNAMIC D1200D 2.5mmPITCH HDR ASSY (H-TYPE) 4-20POS
2 PLC ±		WEIGHT	-	SIZE A200779
3 PLC ±		CUSTOMER DRAWING		CAGE CODE C-1827876
4 PLC ±		SCALE 6:1		DRAWING NO 1827876
ANGLES ±		SHEET 3 OF 3		RESTRICTED TO -
FINISH		REV C1		