

Customer Information Sheet

DRAWING No.: M80-943XX05

SHEET 2 OF 2

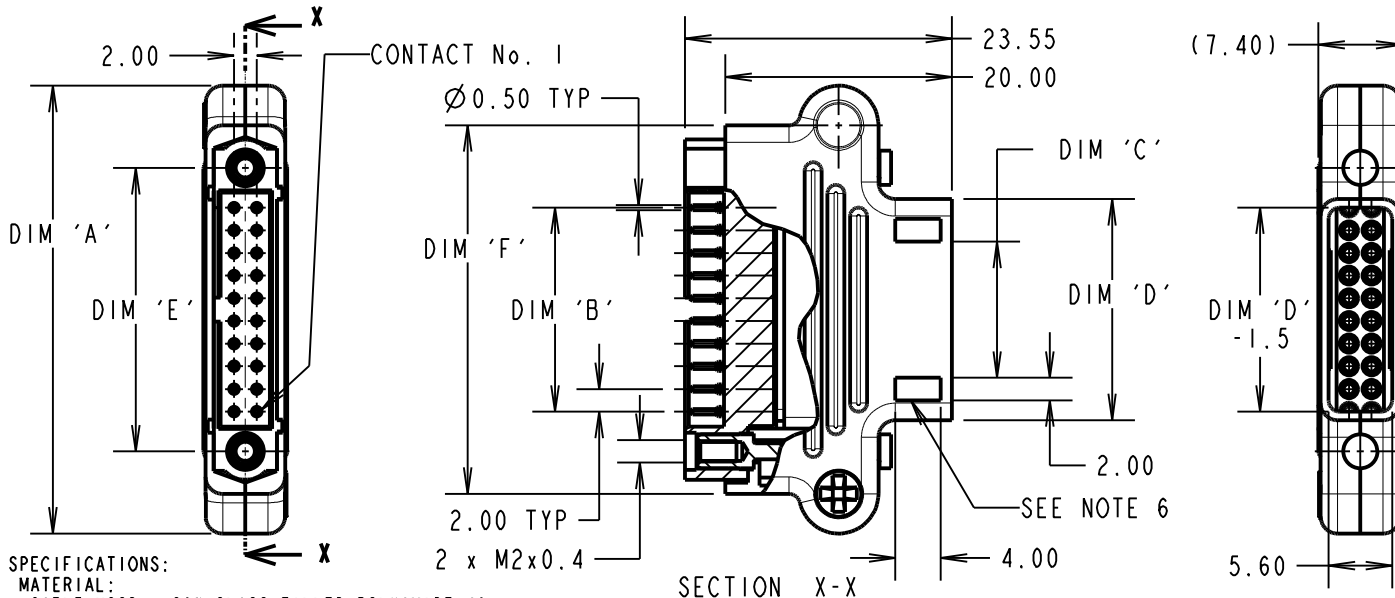
IF IN DOUBT - ASK

(C)

NOT TO SCALE

THIRD ANGLE PROJECTION

ALL DIMENSIONS IN mm



ORDER CODE:
M80-943XX05
 TOTAL No. OF CONTACTS _____
 06, 08, 10, 12, 14
 20, 26, 34, 42, 50

- NOTES:
- CONNECTORS ARE SUPPLIED WITH CONTACTS, CABLE HOOD SET, AND CABLE HOOD FIXING SCREWS LOOSE.
 - FOR EXTRA CONTACTS, USE PART NUMBER M80-1940005.
 - RECOMMENDED WIRE TYPE = BS 36 210 TYPE A, PTFE INSULATED 22 AWG. MAX INSULATION DIAMETER = $\varnothing 1.10\text{mm}$. STRIP WIRE BY 2.00mm.
 - RECOMMENDED HAND CRIMP TOOL = M22520/2-01 WITH POSITIONER Z80-193. REFER TO TOOLING INSTRUCTION SHEET IS-01 FOR COMPLETE CRIMPING INSTRUCTIONS.
 - CONTACT INSERTION AND EXTRACTION TOOL = Z80-280. REFER TO TOOLING INSTRUCTION SHEET IS-25 FOR ASSEMBLY INSTRUCTIONS.
 - NO CABLE TIE SLOTS ON M80-9430605 AND M80-9430805.

SPECIFICATIONS:

MATERIAL:
 CABLE HOOD = 30% GLASS-FILLED POLYAMIDE 46
 DATAMATE MOULDING = 30% GLASS-FILLED PPS, UL94V-0, BLACK
 CONTACT = BRASS
 JACKSCREW = STAINLESS STEEL
 CABLE HOOD FIXING SCREW = STAINLESS STEEL

FINISH:
 CONTACT:
 05 = 0.25-0.3µ GOLD
 CABLE HOOD FIXING SCREW = BLACK NICKEL

ELECTRICAL:
 CURRENT RATING AT 25°C = 3.0A MAX
 CURRENT RATING AT 85°C = 2.2A MAX
 WORKING VOLTAGE = 800V AC/DC
 VOLTAGE PROOF = 1200V AC/DC
 CONTACT RESISTANCE = 25 mΩ MAX
 INSULATION RESISTANCE = 100 MΩ MIN

MECHANICAL:
 DURABILITY = 500 OPERATIONS

ENVIRONMENTAL:
 TEMPERATURE RANGE = -55°C TO +125°C

PACKING:
 LOOSE

FOR COMPLETE SPECIFICATION, SEE COMPONENT SPECIFICATION C005XX (LATEST ISSUE)

| PART NUMBER | No. OF CONTACTS | PART DIMENSIONS | | | | | |
|-------------|-----------------|-----------------|---------|---------|---------|---------|---------|
| | | DIM 'A' | DIM 'B' | DIM 'C' | DIM 'D' | DIM 'E' | DIM 'F' |
| M80-9430605 | 6 | 25.50 | 4.00 | N/A | 5.50 | 11.00 | 18.50 |
| M80-9430805 | 8 | 27.50 | 6.00 | N/A | 7.50 | 13.00 | 20.50 |
| M80-9431005 | 10 | 29.50 | 8.00 | 2.00 | 9.50 | 15.00 | 22.50 |
| M80-9431205 | 12 | 31.50 | 10.00 | 4.00 | 11.50 | 17.00 | 24.50 |
| M80-9431405 | 14 | 33.50 | 12.00 | 6.00 | 13.50 | 19.00 | 26.50 |
| M80-9432005 | 20 | 39.50 | 18.00 | 12.00 | 19.50 | 25.00 | 32.50 |
| M80-9432605 | 26 | 45.50 | 24.00 | 18.00 | 22.50 | 31.00 | 38.50 |
| M80-9433405 | 34 | 53.50 | 32.00 | 26.00 | 33.50 | 39.00 | 46.50 |
| M80-9434205 | 42 | 61.50 | 40.00 | 34.00 | 41.50 | 47.00 | 54.50 |
| M80-9435005 | 50 | 69.50 | 48.00 | 42.00 | 49.50 | 55.00 | 62.50 |

| | | | |
|----------------|------|------------|--------|
| MSP | 8 | 16.09.15 | 13088 |
| NAME | ISS. | DATE | C/NOTE |
| APPROVED: | | M.PERREN | |
| CHECKED: | | M.PLESTED | |
| DRAWN: | | N. CODLING | |
| CUSTOMER REF.: | | | |
| ASSEMBLY DRG: | | | |

HARWIN

www.harwin.com
 technical@harwin.com

THIS DRAWING AND ANY INFORMATION OR DESCRIPTIVE MATTER SET OUT HEREON ARE CONFIDENTIAL AND COPYRIGHT PROPERTY OF THE HARWIN GROUP AND MUST NOT BE DISCLOSED, LOANED, COPIED OR USED FOR MANUFACTURING, TENDERING OR FOR ANY OTHER PURPOSE WITHOUT THEIR WRITTEN PERMISSION.

TOLERANCES
 X. = ±1mm
 X.X = ±0.50mm
 X.XX = ±0.10mm
 X.XXX = ±0.01mm
 ANGLES = ±5°
 UNLESS STATED

MATERIAL:
 SEE ABOVE
FINISH: SEE ABOVE
S/AREA: mm²

TITLE: JACKSCREW DATAMATE DIL CRIMP (LARGE BORE) MALE ASSY WITH CABLE HOOD KIT

DRAWING NUMBER: M80-943XX05

SHT 2 OF 2