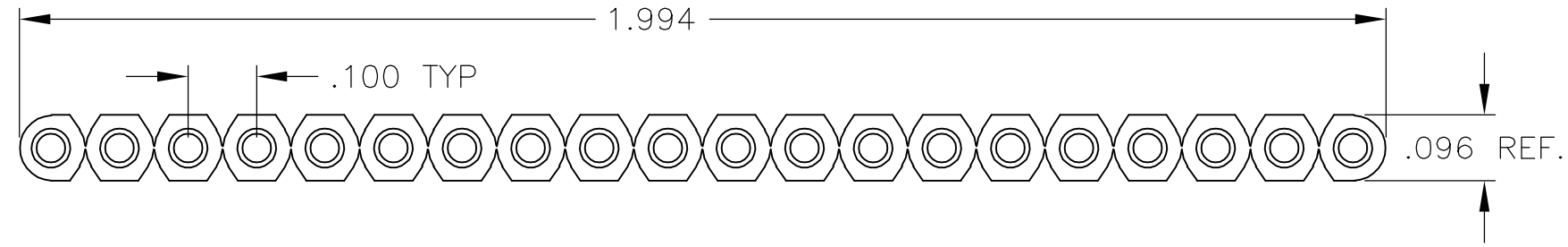
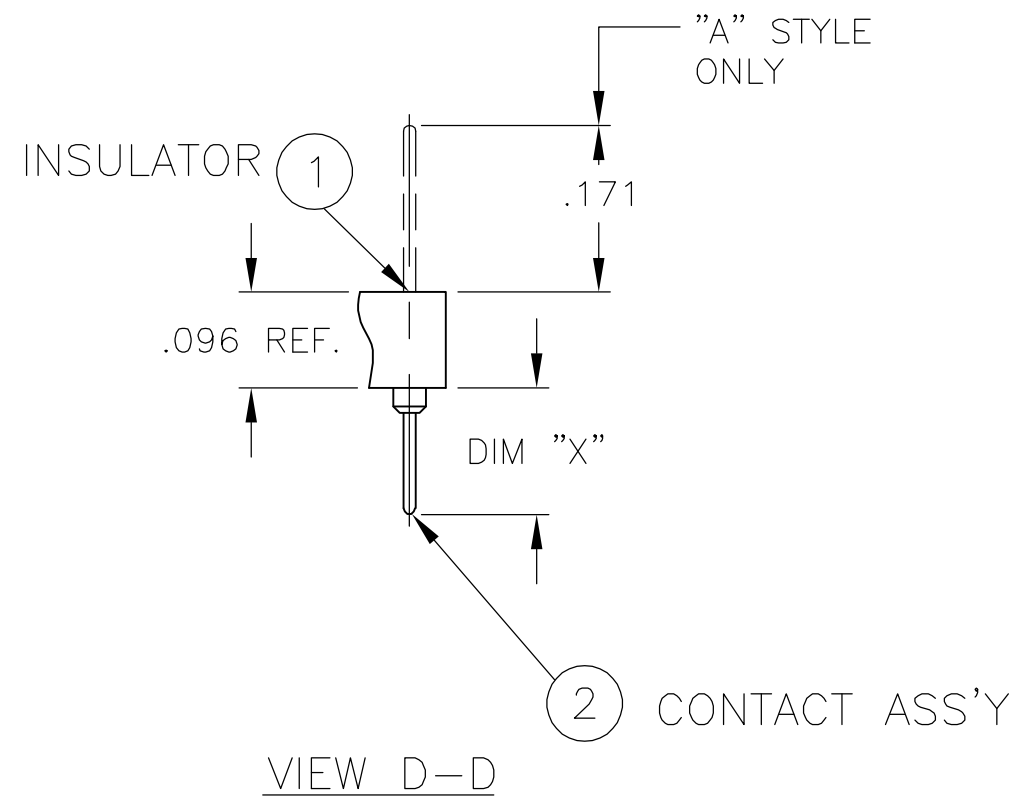


THIS DRAWING IS UNPUBLISHED. RELEASED FOR PUBLICATION
 © COPYRIGHT BY TYCO ELECTRONICS CORPORATION. ALL RIGHTS RESERVED.

LOC		DIST		REVISIONS			
P	LTR	DESCRIPTION		DATE	DWN	APVD	
		0		EC 0G3C-0388-03	14SEP2004	BSV	KW

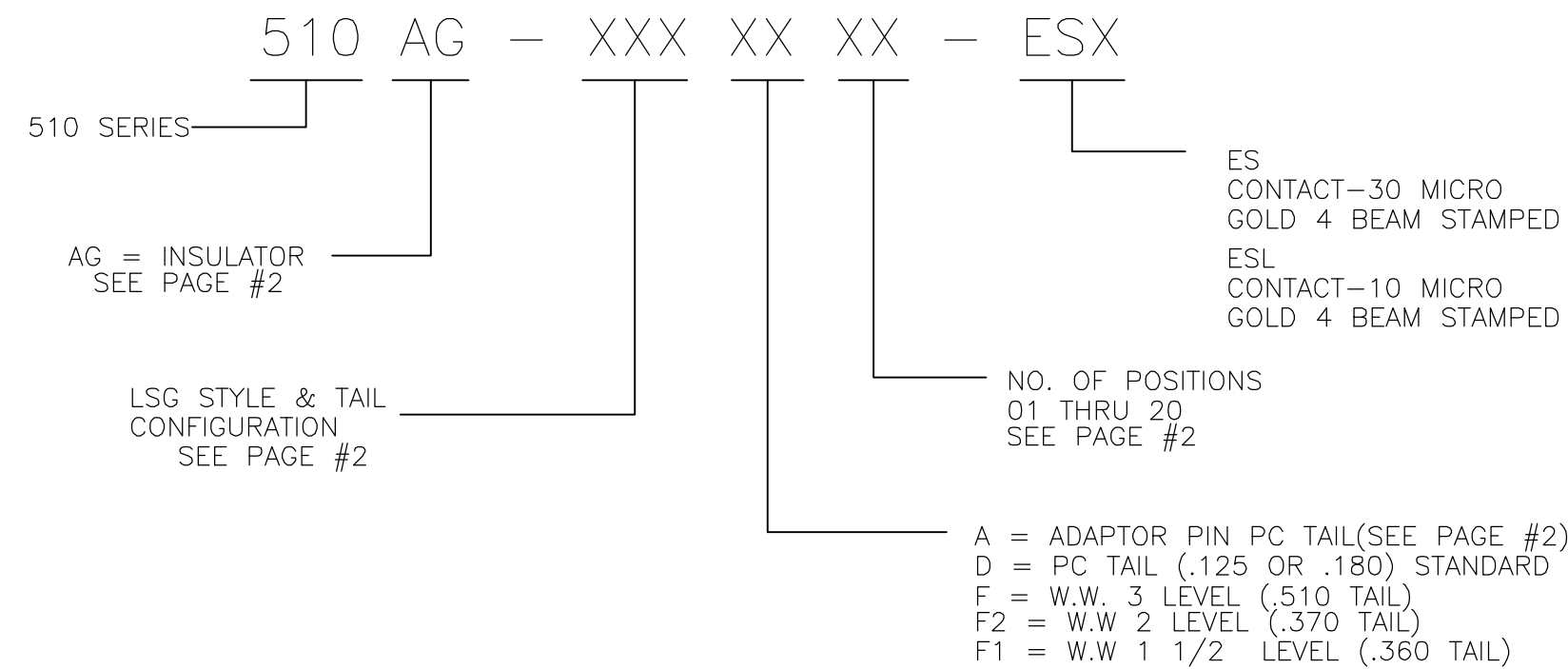


LSG STYLE	TAIL TYPE	DIM "X"
D	.125 P.C.	.210/.180
A	ADAPTOR PIN	.211/.183
D	.180 P.C.	.265/.235
F1	1 1/2 LEVEL W.W	.370/.340
F2	2 LEVEL W.W	.480/.450
F	3 LEVEL W.W	.620/.590

- NOTES:
 MATERIAL & FINISH:
 1. INSULATOR :
 a) ADAPTOR PINS .125 & .180 P.C TAILS- THERMOPLASTIC POLYESTER(BLACK) P.E.T RATED 94V-0.
 b) W.W TAILS - THERMOPLASTICPOLYESTER (BALCK) P.B.T RATED 94V-0
 2. CONTACT ASS'Y - SEE PAGE 2.
 3. (*) DENOTES PACKAGING TO BE 100063-54.
 4. POSITIONS 1 THRU 4 TO BE PACKAGED IN ANTISTATIC BAG IN QTY'S OF 2,500 PCS

0.083	0.079	0.075	0.071	0.067	0.063	0.058	0.054	0.05	0.046	0.042	0.038	0.033	0.029	0.025	0.02	(SEE NOTE 4)				PACKAGING (NOT SHOWN)	100063-23	3
20	19	18	17	16	15	14	13	12	11	10	9	8	7	6	5	4	3	2	1	CONTACT ASSY. (P.C TAIL LSG'S)	SEE PAGES 2,4, & 6	2
1	1	1	1	1	1	1	1	1	1	0.5	0.5	0.5	0.5	0.33	0.25	0.2	0.17	0.1	0.05	INSULATOR (ADAPTOR PINS .125 & .180 P.C TAILS)	820-5P1	1
QTY.	QTY.	QTY.	QTY.	QTY.	QTY.	QTY.	QTY.	QTY.	QTY.	QTY.	QTY.	QTY.	QTY.	QTY.	QTY.	QTY.	QTY.	QTY.	QTY.	POSITIONS	PART NUMBER	ITEM NO.
20	19	18	17	16	15	14	13	12	11	10	09	08	07	06	05	04	03	02	01	B.O.M FOR P.C. TAIL SOCKET ASSEMBLIES		

0.083	0.079	0.075	0.071	0.067	0.063	0.058	0.054	0.05	0.046	0.042	0.038	0.033	0.029	0.025	0.02	(SEE NOTE 4)				PACKAGING (NOT SHOWN)	100063-23	3
20	19	18	17	16	15	14	13	12	11	10	9	8	7	6	5	4	3	2	1	CONTACT ASSY. (W.W. TAIL LSG'S)	SEE PAGES 2,4, & 6	2
1	1	1	1	1	1	1	1	1	1	0.5	0.5	0.5	0.5	0.33	0.25	0.2	0.17	0.1	0.05	INSULATOR (W.W. TAILS)	820-5P1	1
QTY.	QTY.	QTY.	QTY.	QTY.	QTY.	QTY.	QTY.	QTY.	QTY.	QTY.	QTY.	QTY.	QTY.	QTY.	QTY.	QTY.	QTY.	QTY.	QTY.	POSITIONS	PART NUMBER	ITEM NO.
20	19	18	17	16	15	14	13	12	11	10	09	08	07	06	05	04	03	02	01	B.O.M FOR P.C. TAIL SOCKET ASSEMBLIES		



THIS DRAWING IS A CONTROLLED DOCUMENT.		DWN BSV	14SEP2004	tyco Tyco Electronics Corporation	
DIMENSIONS: INCHES		CHK -	APVD K WRIGHT	Harisburg, Pa 17105-3808	
TOLERANCES UNLESS OTHERWISE SPECIFIED:		APVD -	PRODUCT SPEC	ASSEMBLY SOCKET (.510 SERIES. S.I.P)	
0 PLC ± -		APVD -	APPLICATION SPEC	SIZE A2	CAGE CODE 00779
1 PLC ± -		APVD -	WEIGHT -	DRAWING NO C=1437530-5	RESTRICTED TO -
2 PLC ± -		APVD -	CUSTOMER DRAWING	SCALE 4:1	SHEET 1 OF 3
3 PLC ± -		APVD -		REV 0	
4 PLC ± -		APVD -			
ANGLES ± -		APVD -			
FINISH -		APVD -			

THIS DRAWING IS UNPUBLISHED. RELEASED FOR PUBLICATION
 © COPYRIGHT BY TYCO ELECTRONICS CORPORATION. ALL RIGHTS RESERVED.

LOC	DIST	REVISIONS					
AD	00	P	LTR	DESCRIPTION	DATE	DWN	APVD
		-	-	SEE SHEET 1	-	-	-

510 SERIES - .125 P.C.TAIL

LSG STYLE	LSG	LSG STYLE	LSG	LSG STYLE	LSG
90D	LSG-1AG344-1				
90DES	LSG-1AG75-1				
90DESL	LSG-1AG75-32				
91D	LSG-1AG346-14				
91DES	LSG-1AG255-14				
91DESL	LSG-1AG255-30				
92D	LSG-1AG346-27				
92DES	LSG-1AG255-27				
96D	LSG-1AG346-35				
90D	LSG-1AG74-1				
91D	LSG-1AG106-14				
92D	LSG-1AG106-27				
96D	LSG-1AG106-35				

510 SERIES - ADAPTOR PIN WITH P.C TAIL

LSG STYLE	LSG	LSG STYLE	LSG	LSG STYLE	LSG
90A	8128-195P3				
92A	8128-195P5				

510 SERIES - .180 P.C.TAIL

LSG STYLE	LSG	LSG STYLE	LSG	LSG STYLE	LSG
42D	LSG-1AG345-27				
42DES	LSG-1AG133-27				
44D	LSG-1AG345-14				
44DES	LSG-1AG133-14				
44DESL	LSG-1AG133-30				
45D	LSG-1AG345-1				
45DES	LSG-1AG133-1				
45DESL	LSG-1AG133-32				
133D	LSG-1AG345-37				
42D	LSG-1AG76-27				
44D	LSG-1AG76-14				
45D	LSG-1AG76-1				
133D	LSG-1AG76-37				

510 SERIES - W.W.TAIL

LSG STYLE	LSG	LSG STYLE	LSG	LSG STYLE	LSG
90F	LSG-1FG162-1				
90FES	LSG-1FG86-1				
90FESL	LSG-1FG86-32				
90F2	LSG-1FG161-1				
90F2ES	LSG-1FG87-1				
90F2ESL	LSG-1FG87-32				
91F	LSG-1FG162-14				
91FES	LSG-1FG86-14				
91FESL	LSG-1FG86-30				
91F1	LSG-1FG46-1				
91F2	LSG-1FG161-14				
91F2ES	LSG-1FG87-14				
91F2ESL	LSG-1FG87-30				
92F	LSG-1FG162-27				
92FES	LSG-1FG86-27				
92F2	LSG-1FG161-27				
92F2ES	LSG-1FG87-27				
90F	LSG-1FG41-1				
90F2	LSG-1FG40-1				
91F	LSG-1FG41-14				
91F2	LSG-1FG40-14				
92F	LSG-1FG41-27				
92F	LSG-1FG40-27				

1437530-5

THIS DRAWING IS A CONTROLLED DOCUMENT.		DWN	14SEP2004	Tyco Electronics Corporation	
DIMENSIONS: INCHES		CHK	-	Harisburg, Pa 17105-3808	
TOLERANCES UNLESS OTHERWISE SPECIFIED:		APVD	K WRIGHT	ASSEMBLY SOCKET	
0 PLC ± - 1 PLC ± - 2 PLC ± - 3 PLC ± - 4 PLC ± - ANGLES ± - FINISH -		PRODUCT SPEC	-	(.510 SERIES. S.I.P)	
MATERIAL		APPLICATION SPEC	-	SIZE	A2
		WEIGHT	-	CAGE CODE	00779
		CUSTOMER DRAWING		DRAWING NO	C=1437530-5
		SCALE	1:1	RESTRICTED TO	-
		SHEET	2	OF	3
		REV	0		

THIS DRAWING IS UNPUBLISHED. RELEASED FOR PUBLICATION
 © COPYRIGHT BY TYCO ELECTRONICS CORPORATION. ALL RIGHTS RESERVED.

LOC	DIST	REVISIONS				
		P	LTR	DATE	DWN	APVD
AD	00	-	-	SEE SHEET 1	-	-

(D) STANDARD .125 P.C TAIL LSG CONFIGURATIONS AND PLATING

LSG-1AGXXX-1
 SLEEVE - TAPERED ENTRY BRASS. GOLD PLATE 10 MICRON AVG.
 CONTACT - TAPERED ENTRY BERY. COPPER. GOLD PLATE 30 MICRON AVG.

LSG-1AGXXX-14
 SLEEVE - TAPERED ENTRY COPPER. TIN/LEAD PLATE.
 CONTACT - TAPERED ENTRY BERY. COPPER. GOLD PLATE 30 MICRON AVG.

LSG-1AGXXX-27
 SLEEVE - TAPERED ENTRY COPPER. TIN/LEAD PLATE.
 CONTACT - TAPERED ENTRY BERY. TIN/LEAD PLATE.

LSG-1AGXXX-30
 SLEEVE - TAPERED ENTRY COPPER. TIN/LEAD PLATE.
 CONTACT - TAPERED ENTRY BERY. COPPER. GOLD PLATE 10 MICRON AVG.

LSG-1AGXXX-31
 SLEEVE - TAPERED ENTRY COPPER. TIN/LEAD PLATE.
 CONTACT - TAPERED ENTRY BERY. COPPER. GOLD PLATE 50 MICRON AVG.

LSG-1AGXXX-32
 SLEEVE - TAPERED ENTRY BRASS GOLD PLATE. 10 MICRON AVG.
 CONTACT - TAPERED ENTRY BERY. COPPER. GOLD PLATE 10 MICRON AVG.

LSG-1AGXXX-33
 SLEEVE - TAPERED ENTRY COPPER. GOLD PLATE. 10 MICRON AVG.
 CONTACT - TAPERED ENTRY BERY. COPPER. GOLD PLATE 50 MICRON AVG.

LSG-1AGXXX-35
 SLEEVE - TAPERED ENTRY COPPER. GOLD PLATE. 10 MICRON AVG.
 CONTACT - TAPERED ENTRY BERY. COPPER. TIN/LEAD PLATE.
 (ONLY AVAILABLE WITH LSG-1AG106-XX)

LSG-1AGXXX-36
 SLEEVE - TAPERED ENTRY COPPER. TIN/LEAD PLATE.
 CONTACT - TAPERED ENTRY BERY. COPPER. GOLD PLATE 50 MICRON AVG.
 (ONLY AVAILABLE WITH LSG-1AG106-XX)

(D) STANDARD .125 P.C. TAIL LSG DESCRIPTIONS

LSG-1AG74-XX
 SLEEVE - MACHINED TAPERED ENTRY BRASS.
 CONTACT - NORMAL FORCE :4 BEAM MACHINED.

LSG-1AG75-XX
 SLEEVE - MACHINED TAPERED ENTRY BRASS.
 CONTACT - NORMAL FORCE :4 BEAM STAMPED.

LSG-1AG106-XX
 SLEEVE - COLD-HEADED TAPERED ENTRY COPPER.
 CONTACT - NORMAL FORCE :4 BEAM MACHINED.

LSG-1AG255-XX
 SLEEVE - COLD HEADED TAPERED ENTRY COPPER.
 CONTACT - NORMAL FORCE :4 BEAM STAMPED.

LSG-1AG344-XX
 SLEEVE - MACHINED TAPERED ENTRY BRASS.
 CONTACT - NORMAL FORCE :4 BEAM MACHINED.

LSG-1AG106-XX
 SLEEVE - COLD-HEADED TAPERED ENTRY COPPER.
 CONTACT - NORMAL FORCE :4 BEAM MACHINED.

(D) STANDARD .180 P.C TAIL LSG CONFIGURATIONS AND PLATING

LSG-1AGXXX-1
 SLEEVE - TAPERED ENTRY BRASS. GOLD PLATE 10 MICRON AVG.
 CONTACT - TAPERED ENTRY BERY. COPPER. GOLD PLATE 30 MICRON AVG.

LSG-1AGXXX-14
 SLEEVE - TAPERED ENTRY BRASS. TIN/LEAD PLATE.
 CONTACT - TAPERED ENTRY BERY. COPPER. GOLD PLATE 30 MICRON AVG.

LSG-1AGXXX-27
 SLEEVE - TAPERED ENTRY BRASS. TIN/LEAD PLATE.
 CONTACT - TAPERED ENTRY BERY. TIN/LEAD PLATE.

LSG-1AGXXX-30
 SLEEVE - TAPERED ENTRY BRASS. TIN/LEAD PLATE.
 CONTACT - TAPERED ENTRY BERY. COPPER. GOLD PLATE 50 MICRON AVG.

LSG-1AGXXX-31
 SLEEVE - TAPERED ENTRY COPPER. TIN/LEAD PLATE.
 CONTACT - TAPERED ENTRY BERY. COPPER. GOLD PLATE 50 MICRON AVG.

LSG-1AGXXX-32
 SLEEVE - TAPERED ENTRY BRASS GOLD PLATE. 10 MICRON AVG.
 CONTACT - TAPERED ENTRY BERY. COPPER. GOLD PLATE 10 MICRON AVG.

LSG-1AGXXX-33
 SLEEVE - TAPERED ENTRY BRASS. GOLD PLATE. 10 MICRON AVG.
 CONTACT - TAPERED ENTRY BERY. COPPER. GOLD PLATE 50 MICRON AVG.

(A) ADAPTOR PIN -P.C. TAIL PLATING

8128-XXXP3 - GOLD PLATED. 10 MICRON AVG.

8128-XXXP5 - TIN/LEAD PLATED

(D) STANDARD .180 P.C. TAIL LSG DESCRIPTIONS

LSG-1AG76-XX
 SLEEVE - MACHINED TAPERED ENTRY BRASS.
 CONTACT - NORMAL FORCE :4 BEAM MACHINED.

LSG-1AG133-XX
 SLEEVE - MACHINED TAPERED ENTRY BRASS.
 CONTACT - NORMAL FORCE :4 BEAM STAMPED.

LSG-1AG345-XX
 SLEEVE - MACHINED TAPERED ENTRY BRASS.
 CONTACT - NORMAL FORCE :4 BEAM MACHINED.

(A) ADAPTOR PIN -P.C. TAIL PIN DESCRIPTION

8128-195PX - MACHINED BRASS.

(F) STANDARD .WIREWRAP TAIL LSG CONFIGURATIONS AND PLATING

LSG-1AGXXX-1
 SLEEVE - TAPERED ENTRY BERY. COPPER. GOLD PLATE 10 MICRON AVG.
 CONTACT - TAPERED ENTRY BERY. COPPER. GOLD PLATE 30 MICRON AVG.

LSG-1AGXXX-14
 SLEEVE - TAPERED ENTRY BERY. COPPER. TIN/LEAD PLATE.
 CONTACT - TAPERED ENTRY BERY. COPPER. GOLD PLATE 30 MICRON AVG.

LSG-1AGXXX-27
 SLEEVE - TAPERED ENTRY BERY. COPPER. TIN/LEAD PLATE.
 CONTACT - TAPERED ENTRY BERY. TIN/LEAD PLATE.

LSG-1AGXXX-30
 SLEEVE - TAPERED ENTRY BERY. COPPER. TIN/LEAD PLATE.
 CONTACT - TAPERED ENTRY BERY. COPPER. GOLD PLATE 10 MICRON AVG.

LSG-1AGXXX-31
 SLEEVE - TAPERED ENTRY BERY. COPPER. TIN/LEAD PLATE.
 CONTACT - TAPERED ENTRY BERY. COPPER. GOLD PLATE 50 MICRON AVG.

LSG-1AGXXX-32
 SLEEVE - TAPERED ENTRY BERY. COPPER. GOLD PLATE. 10 MICRON AVG.
 CONTACT - TAPERED ENTRY BERY. COPPER. GOLD PLATE 10 MICRON AVG.

LSG-1AGXXX-33
 SLEEVE - TAPERED ENTRY BERY. COPPER. GOLD PLATE. 10 MICRON AVG.
 CONTACT - TAPERED ENTRY BERY. COPPER. GOLD PLATE 50 MICRON AVG.

(F) STANDARD WIREWRAP TAIL LSG DESCRIPTIONS

F LSG-1FG41-XX
 F2 LSG-1FG40-XX
 F1 LSG-1FG46-XX
 SLEEVE - TAPERED ENTRY BERY. COPPER.
 CONTACT - NORMAL FORCE 4 BEAM MACHINED.

F LSG-1FG58-XX
 F2 LSG-1FG59-XX
 F1 LSG-1FG126-XX
 SLEEVE - TAPERED ENTRY BERY. COPPER.
 CONTACT - LOW FORCE : 4 BEAM MACHINED.

F LSG-1FG86-XX
 F2 LSG-1FG87-XX
 F1 LSG-1FG43-XX
 SLEEVE - TAPERED ENTRY BERY. COPPER.
 CONTACT - NORMAL FORCE 4 BEAM STAMPED.

F LSG-1FG84-XX
 F2 LSG-1FG83-XX
 SLEEVE - TAPERED ENTRY BERY. COPPER.
 CONTACT - NORMAL FORCE 4 BEAM MACHINED.
 *(F1 NOT NEEDED AT PRESENT)

F LSG-1FG162-XX
 F2 LSG-1FG161-XX
 SLEEVE - TAPERED ENTRY BERY. COPPER.
 CONTACT - NORMAL FORCE : 4 BEAM MACHINED.
 *(F1 NOT NEEDED AT PRESENT)

THIS DRAWING IS A CONTROLLED DOCUMENT.		DWN BSV	14SEP2004	tyco Tyco Electronics Corporation	
DIMENSIONS: INCHES		CHK -	APVD K WRIGHT	Harisburg, Pa 17105-3808	
TOLERANCES UNLESS OTHERWISE SPECIFIED:		APVD K WRIGHT	PRODUCT SPEC	NAME 0 (.510 SERIES. S.I.P)	
0 PLC ± - 1 PLC ± - 2 PLC ± - 3 PLC ± - 4 PLC ± - ANGLES ± -		APPLICATION SPEC	SCALE A2	CAGE CODE 00779	DRAWING NO 1437530-5
MATERIAL -	FINISH -	WEIGHT -	RESTRICTED TO	-	
CUSTOMER DRAWING			SCALE 1:1	SHEET 3	OF 3
			REV 0		

1437530-5