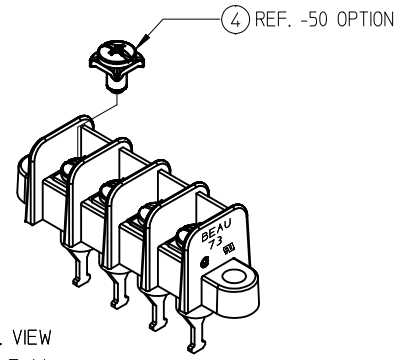
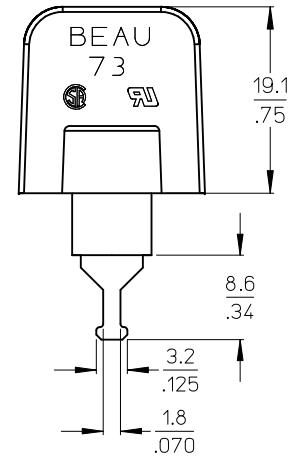
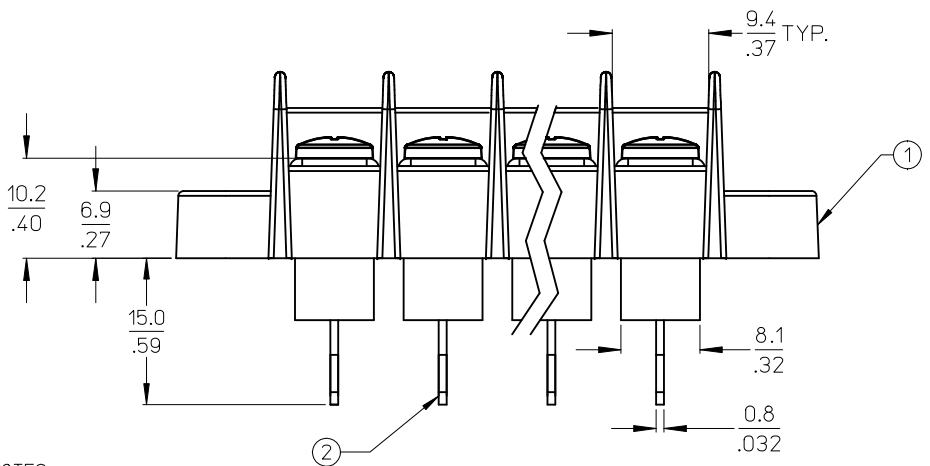
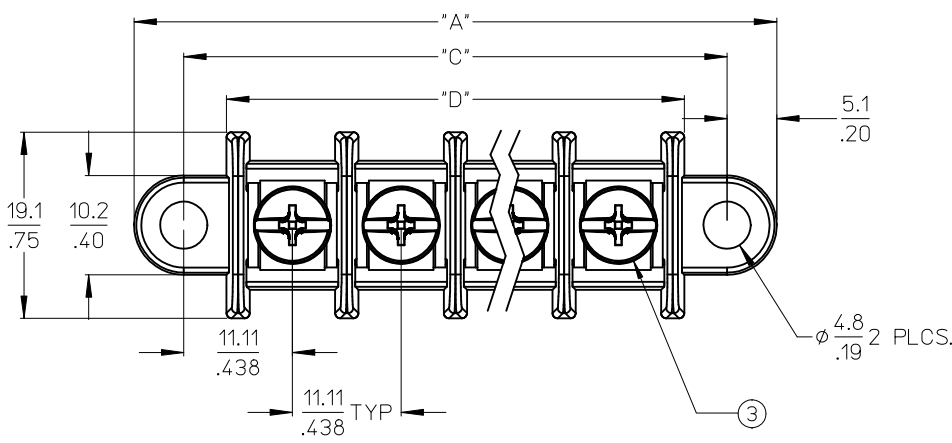


NO. OF CIRCUITS "XX"	DIM. "A"		DIM. "C"		DIM. "D"		ASSEMBLY MATERIAL NO. (-A OPTION)	ASSEMBLY MATERIAL NO. (-A-50 OPTION)
	mm	INCH	mm	INCH	mm	INCH		
2	43.5	1.71	33.34	1.313	24.5	0.97	387352802	387353002
3	54.6	2.15	44.45	1.750	35.7	1.40	387352803	387353003
4	65.7	2.59	55.56	2.188	46.8	1.84	387352804	387353004
5	76.8	3.03	66.68	2.625	57.9	2.28	387352805	387353005
6	87.9	3.46	77.79	3.063	69.0	2.72	387352806	387353006
7	99.1	3.90	88.90	3.500	80.1	3.15	387352807	387353007
8	110.2	4.34	100.01	3.938	91.2	3.59	387352808	387353008
9	121.3	4.78	111.13	4.375	102.3	4.03	387352809	387353009
10	132.4	5.21	122.24	4.813	113.4	4.47	387352810	387353010
11	143.5	5.65	133.35	5.250	124.6	4.90	387352811	387353011
12	154.6	6.09	144.46	5.688	135.7	5.34	387352812	387353012
13	165.7	6.53	155.58	6.125	146.8	5.78	387352813	387353013
14	176.8	6.96	166.69	6.563	157.9	6.22	387352814	387353014
15	188.0	7.40	177.80	7.000	169.0	6.65	387352815	387353015



AUX. VIEW  
SCALE 1:1  
4 CIRCUIT SHOWN

- NOTES:  
 1. MATERIAL: SEE TABLE.  
 2. FINISHES: SEE TABLE.  
 3. PRODUCT SPECIFICATION: PS-38730-001.  
 4. "XX" REFERS TO THE QUANTITY OF CIRCUITS.  
 5. ROHS COMPLIANT.

ITEM	QTY.	DESCRIPTION	MATERIAL	FINISH
4	XX	SCREW AND WASHER, #8-32, PAN HEAD (-50 OPT)	STEEL	ZN, CLEAR CHROMATE
3	XX	SCREW, #8-32, BIND. HEAD (-A OPT)	BRASS	NICKEL PLATE
2	XX	TERMINAL, TURRET, #8-32	BRASS	TIN PLATE
1	1	CS INSULATOR, SINGLE ROW	POLYESTER (PBT)	BLACK

INITIAL RELEASE  
 EC NO: WINA2010-0351  
 DRWN: JENCINAS 2010/01/14  
 CHKD: CLYORK 2010/01/27  
 APPR: JMACNEIL 2010/01/27

QUALITY SYMBOLS  
 ▼=0  
 ▽=0

GENERAL TOLERANCES (UNLESS SPECIFIED)  
 4 PLACES ± --- ± ---  
 3 PLACES ± --- ± .005  
 2 PLACES ± 0.13 ± .010  
 1 PLACE ± 0.3 ± ---  
 ANGULAR ± 2°

DIMENSION STYLE  
**MM/IN**  
 DRAWN BY DATE  
 JENCINAS 2010/01/14  
 CHECKED BY DATE  
 CLYORK 2010/01/14  
 APPROVED BY DATE

SCALE  
**2:1**  
 DESIGN UNITS  
**INCH**  
 THIRD ANGLE PROJECTION  
**11.11MM [.438] SR BTS, CS INSUL TURRET ASY #8-32 SCREWS**  
**MOLEX INCORPORATED**  
 MATERIAL NO. SEE CHART  
 DOCUMENT NO. SD-38735-007  
 SHEET NO. 1 OF 1

DRAFT WHERE APPLICABLE MUST REMAIN WITHIN DIMENSIONS

THIS DRAWING CONTAINS INFORMATION THAT IS PROPRIETARY TO MOLEX INCORPORATED AND SHOULD NOT BE USED WITHOUT WRITTEN PERMISSION