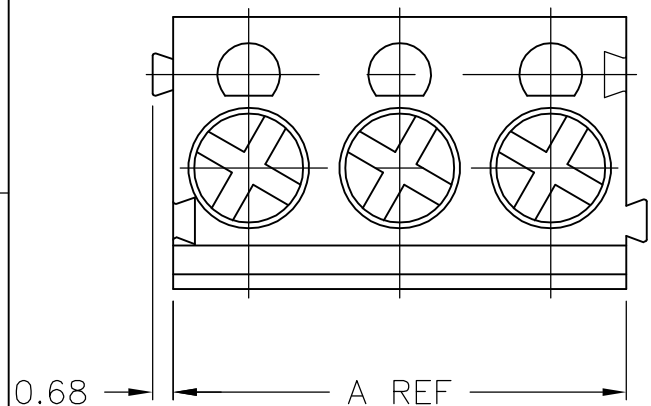


THIS DRAWING IS UNPUBLISHED. RELEASED FOR PUBLICATION  
 © COPYRIGHT BY TYCO ELECTRONICS CORPORATION. ALL RIGHTS RESERVED.

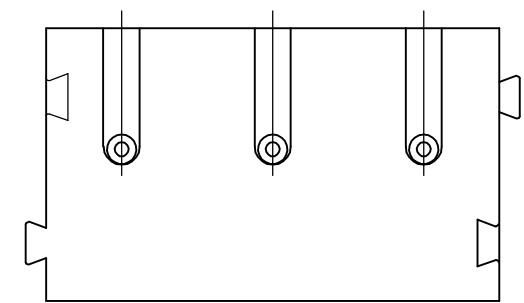
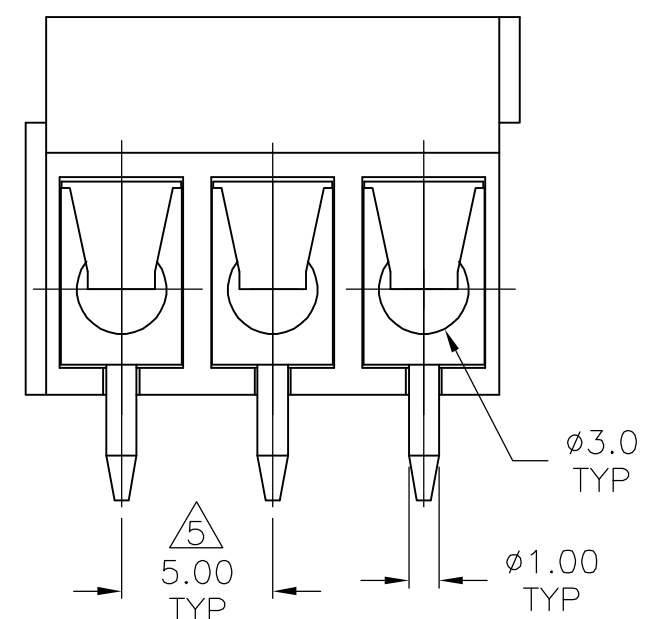
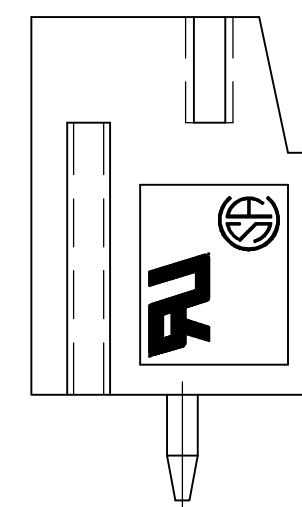
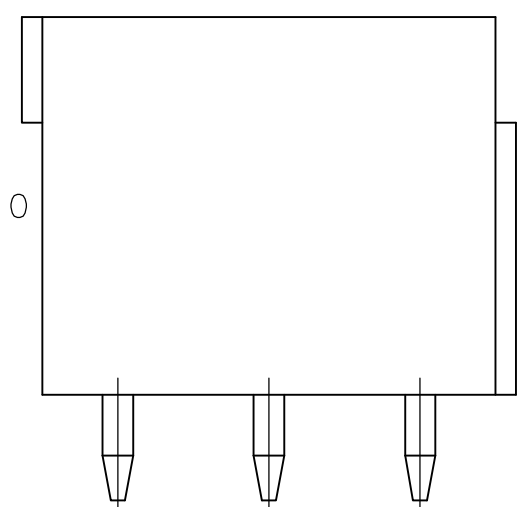
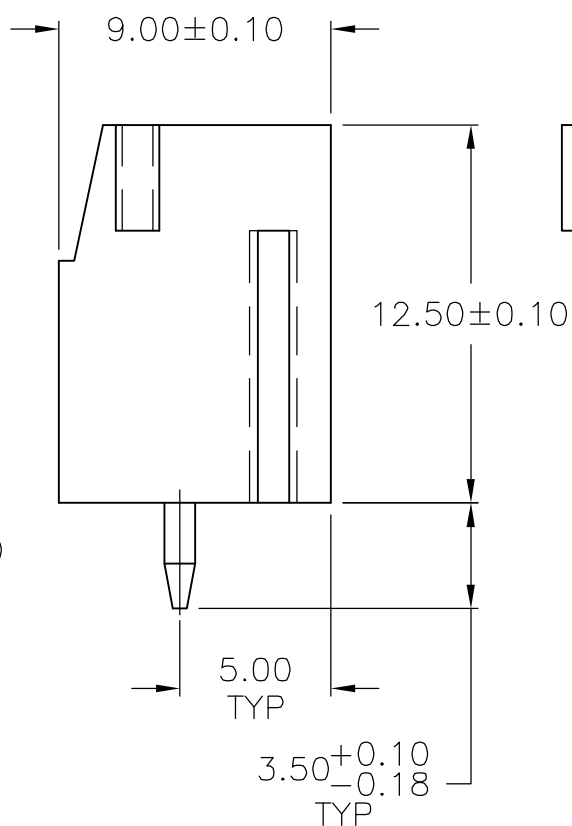
LOC	DIST	REVISIONS			
P	LTR	DESCRIPTION	DATE	DWN	APVD
FT	0	01	REVISED PER ECO-06-16668	7/13/06	SS CR

1. ALL DIMENSIONS ARE IN mm'S.
2. RECOMMENDED PCB DIAMETER:  $\phi 1.20$  TO  $\phi 1.40$ .
3. BUCHANAN LOGO TO APPEAR ON HOUSING LOCATION OPTIONAL WHERE SPACE PERMITS.
4. PARTS TO BE WAVE SOLDER PROCESS CAPABLE UP TO 265°C FOR 10 SECONDS MAX.

$\triangle 5$  NON CUMULATIVE



0.68 A REF



1776491-3 AS SHOWN

DIM. A	NO. OF POS.	PART NUMBER
120.00	24	2-1776491-4
115.00	23	2-1776491-3
110.00	22	2-1776491-2
105.00	21	2-1776491-1
100.00	20	2-1776491-0
95.00	19	1-1776491-9
90.00	18	1-1776491-8
85.00	17	1-1776491-7
80.00	16	1-1776491-6
75.00	15	1-1776491-5
70.00	14	1-1776491-4
65.00	13	1-1776491-3
60.00	12	1-1776491-2
55.00	11	1-1776491-1
50.00	10	1-1776491-0
45.00	9	1776491-9
40.00	8	1776491-8
35.00	7	1776491-7
30.00	6	1776491-6
25.00	5	1776491-5
20.00	4	1776491-4
15.00	3	1776491-3
10.00	2	1776491-2

THIS DRAWING IS A CONTROLLED DOCUMENT.		DWN S SCHLEGEL 5/2/05	Tyco Electronics Corporation Harrisburg, Pa 17105-3608			
DIMENSIONS: mm		CHK C RICHARD 5/2/05				
TOLERANCES UNLESS OTHERWISE SPECIFIED:		APVD C RICHARD 5/2/05	NAME			
0 PLC ± - 1 PLC ± 0.3 2 PLC ± 0.25 3 PLC ± - 4 PLC ± - ANGLES ± -		PRODUCT SPEC	TERMINAL BLOCK PCB MOUNT, STRAIGHT SIDE WIRE ENTRY W/ INTERLOCK, 5.00mm PITCH (LT), HIGH TEMP			
MATERIAL		APPLICATION SPEC	SIZE	CAGE CODE	DRAWING NO	RESTRICTED TO
FINISH		WEIGHT	A3	00779	C-1776491	-
CUSTOMER DRAWING			SCALE	SHEET	REV	
			NTS	1 OF 2	01	

THIS DRAWING IS UNPUBLISHED.

RELEASED FOR PUBLICATION

© COPYRIGHT - BY TYCO ELECTRONICS CORPORATION. ALL RIGHTS RESERVED.

LOC	DIST	REVISIONS			
P	LTR	DESCRIPTION	DATE	DWN	APVD
FT	0				
		SEE SHEET 1	-	-	-

## 1. Application and Features:

- 1-1. This is the most standard version which is an economic and reliable solution for Cable to PC-Board connection .
- 1-2. Standard sizes are 2 and 3 way-blocks, but every number of contact can be combined, by simply plugging them together and can be ordered as required\*\*
- 1-3. Holes for test-pins .
- 1-4. With wire guard for wire protection (for that the screw doesn't press directly on the wire)

2-2-2. Contact resistance: 20mΩ (Max).

2-2-3. Insulation resistance: 5000MΩ /1000V.

2-2-4. Withstanding Voltage: 1500VAC (1min).  
test time =60sec/1pcs

2-2-5. Operation Voltage: 300 VAC.

2-2-6. Wire Range: 14-22 AWG.

## 2-3. Mechanical:

2-3-1. Screw Torque: 4 Kg.cm (Max).

2-3-2. Operating temperature: -55°C to +105°C.

2-3-3. Solderability: 95% coverage (min).


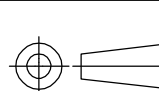
## 2. Technical Data:

## 2-1. Material:

- 2-1-1. HOUSING: NYLON 6.6  
UL 94 V-0 (Blue).
- 2-1-2. Metal Housing: Brass(Cu Zn)  
Cu,Tin plated.
- 2-1-3. Screw: Steel galvanized and  
chromatized.
- 2-1-4. Wire guard: Stainless steel Tin  
plated.

## 2-2. Electrical:

- 2-2-1. Current rating: 10 Amps/way max.

THIS DRAWING IS A CONTROLLED DOCUMENT.		DWN S SCHLEGEL	5/2/05	 Tyco Electronics Corporation Harrisburg, Pa 17105-3608	
DIMENSIONS: mm		CHK C RICHARD	5/2/05		
TOLERANCES UNLESS OTHERWISE SPECIFIED:		APVD C RICHARD	5/2/05	NAME TERMINAL BLOCK PCB MOUNT, STRAIGHT SIDE WIRE ENTRY W/INTERLOCK, 5.00mm PITCH (LT)	
		PRODUCT SPEC -		APPLICATION SPEC -	
MATERIAL -		FINISH -		SIZE A3	CAGE CODE 00779
		WEIGHT -		DRAWING NO C-1776491	RESTRICTED TO -
CUSTOMER DRAWING				SCALE NTS	SHEET 2 OF 2
				REV 01	