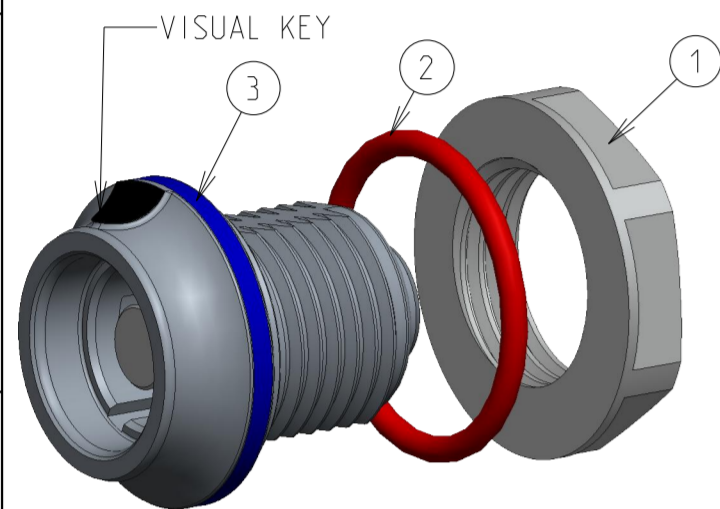
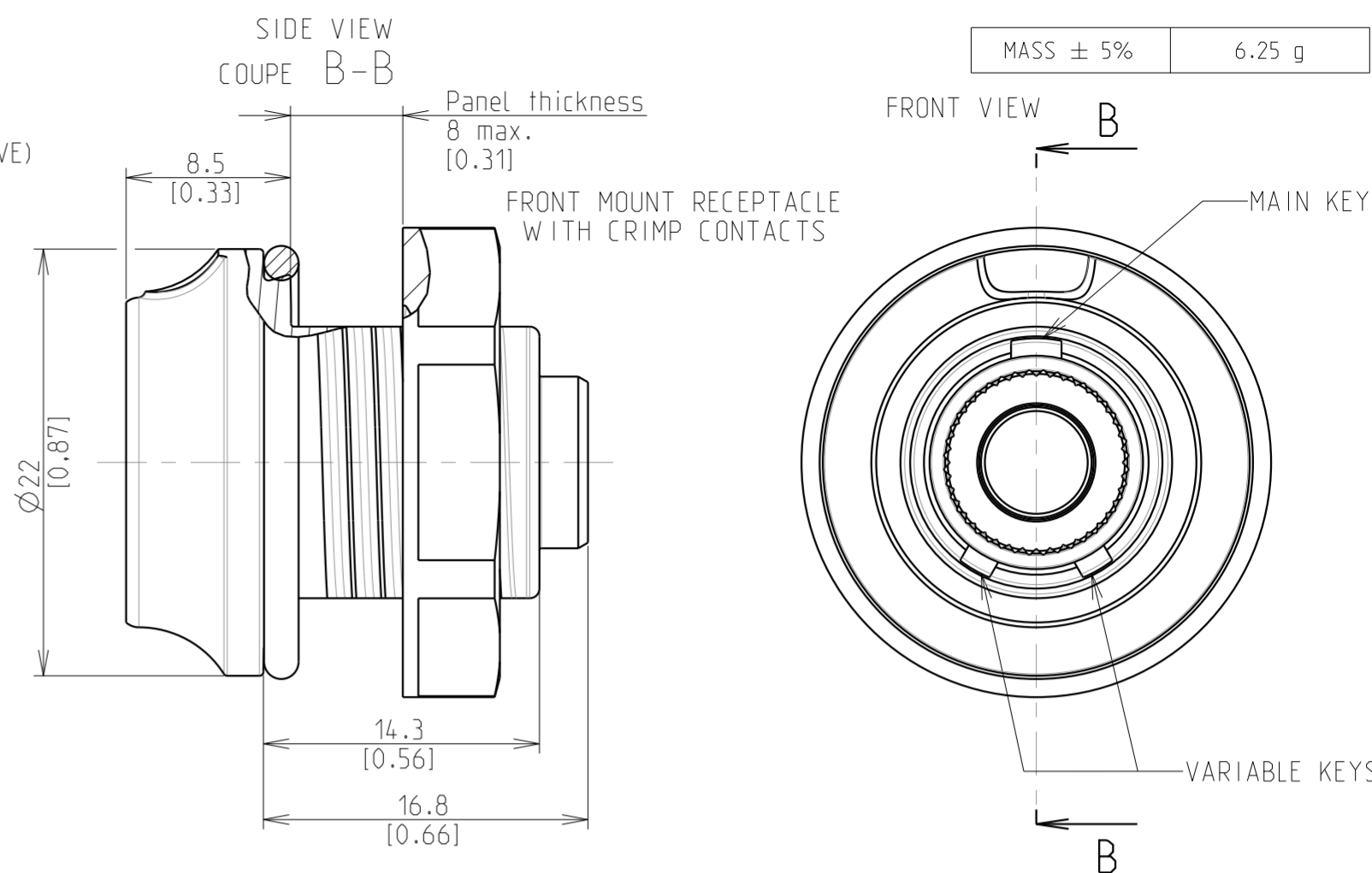
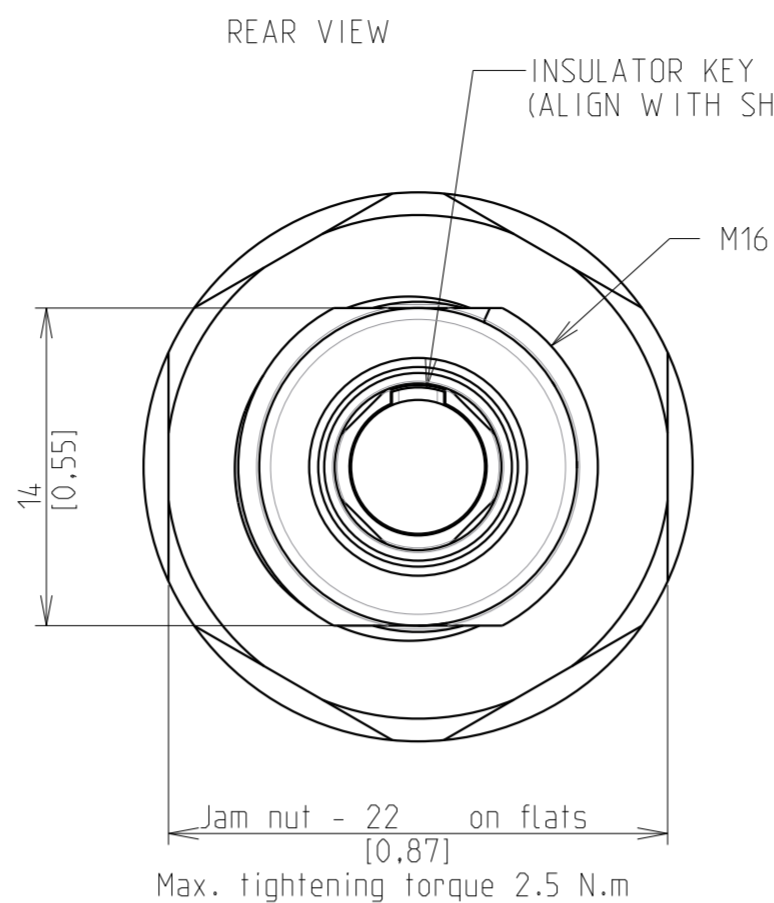
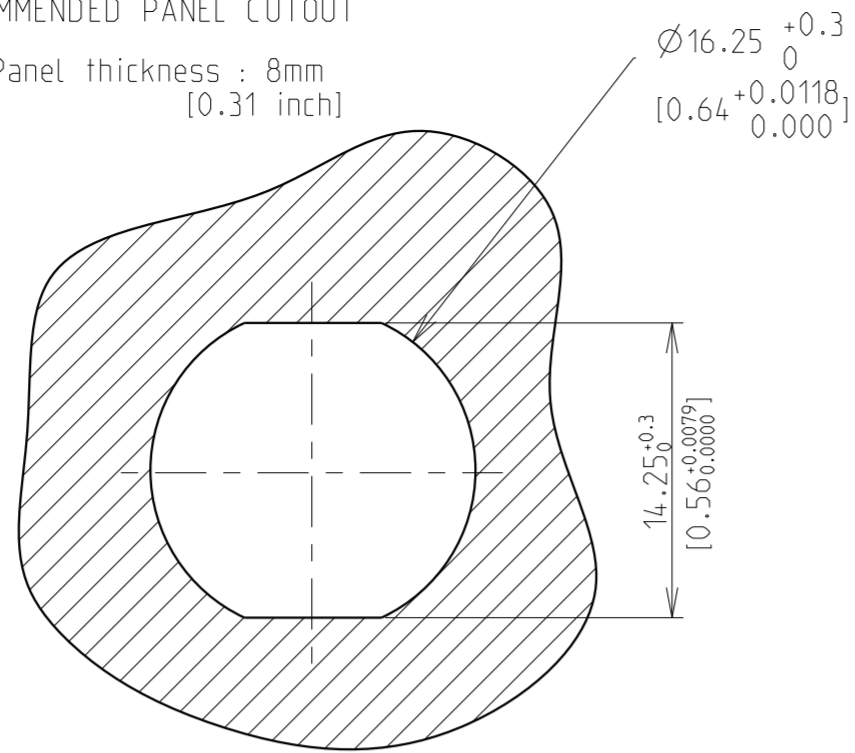


C.2: Validé

RECOMMENDED PANEL CUTOUT
 Max. Panel thickness : 8mm
 [0.31 inch]



PART LIST		
ITEM NO.	DESCRIPTION	MATERIAL
1	HEX NUT	POLYAMIDE- PA6
2	PANEL SEAL	SILICONE
3	SHELL RECEPTACLE	PEI_ULTEM

SCALE 2/1

ELECTRICAL:
 INSULATION RESISTANCE : >500MΩ PER ANSI-EIA-364-D METHOD 21
 MAX. CURRENT RATING : SEE INSULATOR DRAWING
 CONNECTOR TESTING VOLTAGE : SEE INSULATOR DRAWING
 CONNECTOR WORKING VOLTAGE : SEE INSULATOR DRAWING

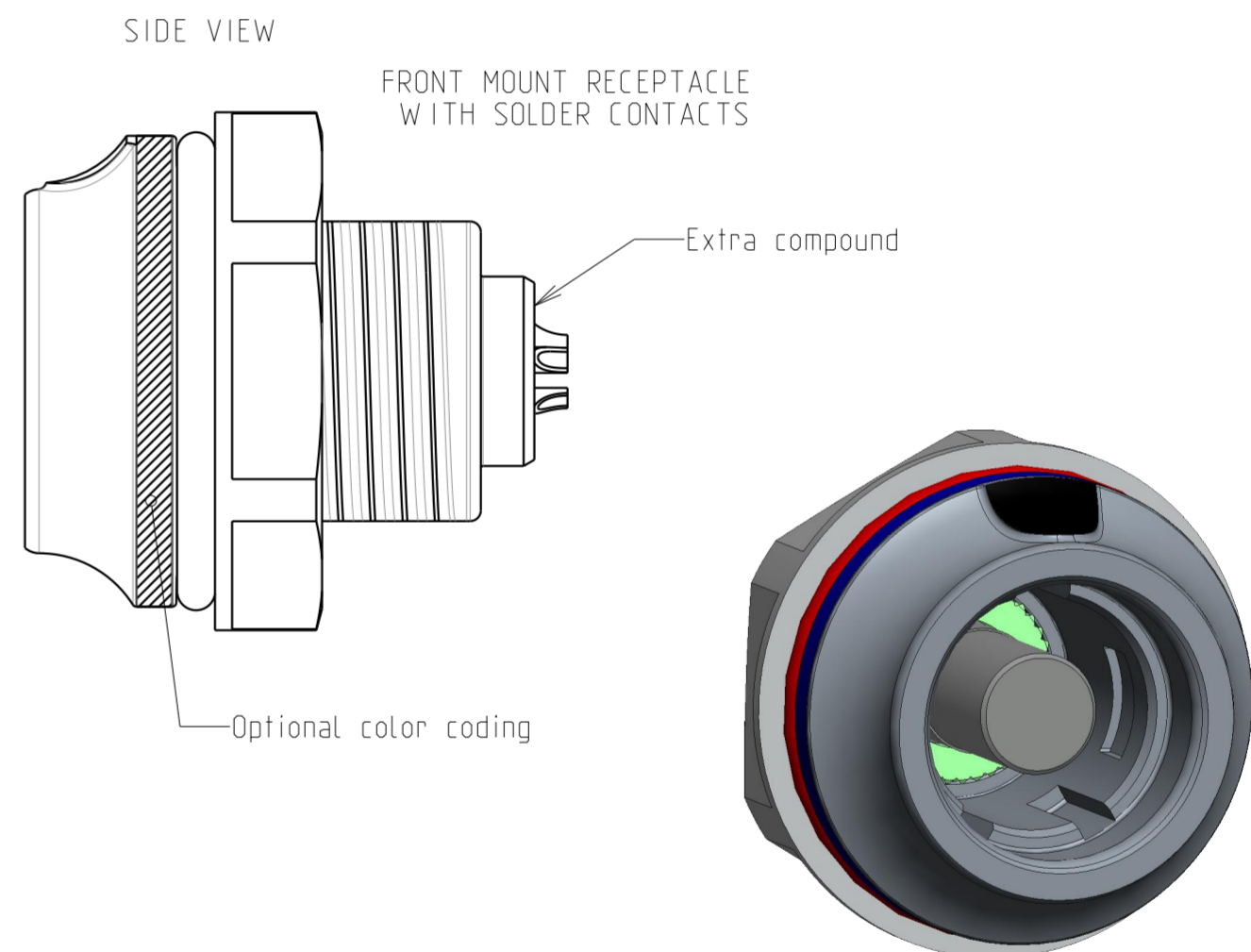
PHYSICAL:
 MAXIMUM WIRE SIZE USED : SEE INSULATOR DRAWING

ENVIRONMENTAL:
 ENDURANCE: 2000 MATING CYCLES AS PER IEC 60512-5 test 9a
 SHOCK: Dropping height 750 mm [29.53] per IEC 60512 test 7b

PROTECTION INDEX:
 IP 68 AS PER IEC 60529 (IBAR DURING 1 WEEK)
 In mated condition
 In unmated condition with solder contacts

ROHS & REACH COMPLIANT
 OPERATING TEMPERATURE: -20°C +100°C (-4°F +212°F)

BIOCOMPATIBILITY: ALL SHELL PEI_ULTEM PARTS to USP Class VI / ISO 10993



Connector coding

Basic type	JMX	HH	1	G	XX	X	X	U	D	S	X	X
Shell type : HH Front mount receptacle												
Shell size												
Keying : G												
Contact layout : SEE INSULATOR DRAWING												
Contact type : (M) Male, (F) Female												
Contact style: S (Solder), C (Crimp), P (Straight PCB contacts), Q (90° PCB contacts)												
Material												
Standard collet												
Back nut : S (standard)												
Connector color coding (A)Blue, (P)Purple, (G)Grey, (J)Yellow, (M)Brown, (N)Black, (R)Red, (V)Green, (O)Orange, U(Uncolored)												
Packaging : nothing:single packaging, B(Bulk) : 100pcs												

LINEAR MESURE : mm [inch]	
TOLERANCES UNLESS OTHERWISE SPECIFIED	
No. OF PLACES	mm [INCH]
WHOLE No.	±0.5 [±0.02]
ONE PLACE	±0.2 [±0.008]
TWO PLACES	±0.1 [±0.004]
ANGLES ±1°	

SOURIAU shall not be liable for any non-conformity or damage due to a use of the Products which does not comply with the Specifications issued by either of the Parties or by a third party (professional recommendation, technical notice.)

Country	Jurisdiction & Control List
FR	NOT LISTED

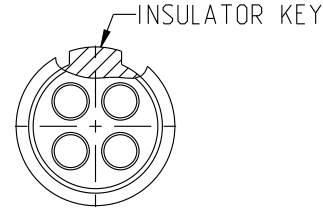
P/N : SEE TABLE : CONNECTOR CODING

C	27/03/17	Update	--	-
ISS	DATE	Latest modification - by:	G.MARCHAND	MOD N°
Designed by:		Q.LEBRETON Date:13/01/17		CUSTOMER DRAWING
TITLE		FRONT MOUNT RECEPTACLE SIZE 1		
		JMX SERIES		
Scale	3/1	General linear Tolerances: SEE TABLE	NPRDS / PROJECT BE150710A	
SOURIAU		WWW.SOURIAU.COM		This document is the property of SOURIAU. It must not be reproduced or communicated without permission.
FORMAT	A2	SOURIAU DRG N° C0001-PPP1-A		SHEET 1 / 1

DWG. NO.
JBX11NSMCC

MALE INSULATOR, CRIMP CONTACT

CONTACT LAYOUT	02	03	04	05	
FRONT SIDE VIEW					
REAR SIDE VIEW					
CONTACT					
ISO VIEW					
CONTACT	ØC (mm)	1.3	1.3	0.9	0.9
	ØF (mm)	1.4	1.4	1.1	1.1
	MAX. AWG	18	18	20	20
	MAX. CURRENT RATING (A)	15	15	10	10
	CONTACT RESISTANCE (mΩ)	3	3	3.5	3.5
INSULATOR	NUMBER OF CAVITY	2	3	4	5
	MAX. CURRENT RATING (A)	10	9	8	7
	AIR CLEARANCE/CREEPAGE DISTANCE min (mm) (BETWEEN CONTACTS)	1.2	1	1	0.8
	TEST VOLTAGE (V)	1200	1100	1100	1100



CONTACT TYPE : M (MALE)
CONTACT TERMINATION : C (CRIMP)
MATERIAL :
 CONTACT: BRASS
 CLIP: COPPER ALLOY
 INSULATOR: PEEK
FINISH :
 CONTACTS: GOLD

CATALOG NUMBER DESCRIPTION

JXXXX 1 X YY F S XXXX

SEE SHELL DRAWING

SHELL SIZE

KEYING

CONTACT LAYOUT

SEE SHELL DRAWING

CONTACT TERMINATION

CONTACT TYPE

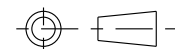
REV	DESCRIPTION	BY DATE	CHKD DATE
C	REVISED PER ECN 13093	RSK 03-01-17	EV 03-01-17
B	REVISED PER ECN 12286	RSK 06-10-15	EV 06-10-15
A	RELEASED PER ECN 12264	SKV 03-10-15	EV 03-10-15

THIS DRAWING IS A CONTROLLED DOCUMENT FOR SOURIAU USA, INC. IT IS SUBJECT TO CHANGE WITHOUT NOTIFICATION. CONTACT THE DOCUMENT CONTROL CENTER FOR THE LATEST REVISION.

THE INFORMATION CONTAINED IN THIS DRAWING IS CONFIDENTIAL AND MAY NOT BE DISCLOSED WITHOUT WRITTEN CONSENT FROM SOURIAU USA, INC.

LINEAR MEASURE: $\frac{mm}{INCH}$ mm (INCH)

THIRD ANGLE PROJECTION



TOLERANCES UNLESS OTHERWISE SPECIFIED

No. OF PLACES mm [INCH]

ONE PLACE ±3 [±.1]

TWO PLACES ±0.5 [±.02]

THREE PLACES ±0.25 [±.010]

ANGLES ±1°

ORIGIN	COUNTRY	JURISDICTION	CLASSIFICATION
X	FR	Not listed	N/A
	US	EAR	ECCN =EAR99
These commodities, technology or software are exported from the United States in accordance with the Export Administration Regulations. Diversion contrary to U.S. law is prohibited			

DRAWING TITLE
JBX, SIZE 1, MALE INSULATOR, CRIMP CONTACT

CAT NO. **JBX11NSMC**

CAGE NO: 09922 SIZE: B

CUSTOMER

SOURIAU

WWW.SOURIAU.COM

APPROVAL

DRAWN:	SKV	02-02-15
CHKD :	EV	02-02-15
DSGN :	EV	02-02-15
MFG :	DH	02-02-15
QC :	BB	02-02-15
DRAWING SCALE: NA		
DRAWING NO.		REV
JBX11NSMCC		C
1 OF 2		

INTERPRET THIS DRAWING IN ACCORDANCE WITH ASME Y14.5M - 1994.

DWG. NO.
JBX11NSMCC

CONTACT LAYOUT	06	07	08
FRONT SIDE VIEW			
REAR SIDE VIEW			
CONTACT			
ISO VIEW			
CONTACT	ØC (mm)	0.7	0.7
	ØF (mm)	0.85	0.85
	MAX. AWG	22	22
	MAX. CURRENT RATING (A)	7	7
INSULATOR	CONTACT RESISTANCE (mΩ)	5	5
	NUMBER OF CAVITY	6	7
	MAX. CURRENT RATING	6	5
	AIR CLEARANCE/CREEPAGE DISTANCE min (mm) (BETWEEN CONTACTS)	0.75	0.75
TEST VOLTAGE (V)	1000	1000	900

ORIGIN	COUNTRY	JURISDICTION	CLASSIFICATION
X	FR	Not listed	N/A
	US	EAR	ECCN =EAR99
These commodities, technology or software are exported from the United States in accordance with the Export Administration Regulations. Diversion contrary to U.S. law is prohibited			

LINEAR MEASURE: $\frac{mm}{INCH}$ mm (INCH)

THIRD ANGLE PROJECTION

TOLERANCES UNLESS OTHERWISE SPECIFIED

No. OF PLACES	mm [INCH]
ONE PLACE	±3 [±.1]
TWO PLACES	±0.5 [±.02]
THREE PLACES	±0.25 [±.010]

ANGLES ±1°

DRAWING TITLE			
JBX, SIZE 1, MALE INSULATOR, CRIMP CONTACT			
CAT NO. JBX11NSMC			
CAGE NO: 09922		SIZE: B	
CUSTOMER		SOURIAU	
INTERPRET THIS DRAWING IN ACCORDANCE WITH ASME Y14.5M - 1994.		WWW.SOURIAU.COM	
APPROVAL	DRAWN: SKV	02-02-15	
	CHKD : EV	02-02-15	
	DSGN : EV	02-02-15	
	MFG : DH	02-02-15	
	QC : BB	02-02-15	
	DRAWING SCALE: NA		
	DRAWING NO.	REV	
	JBX11NSMCC	C	
	2 OF 2		

THIS DRAWING IS A CONTROLLED DOCUMENT FOR SOURIAU USA, INC. IT IS SUBJECT TO CHANGE WITHOUT NOTIFICATION. CONTACT THE DOCUMENT CONTROL CENTER FOR THE LATEST REVISION.

THE INFORMATION CONTAINED IN THIS DRAWING IS CONFIDENTIAL AND MAY NOT BE DISCLOSED WITHOUT WRITTEN CONSENT FROM SOURIAU USA, INC.

B

A