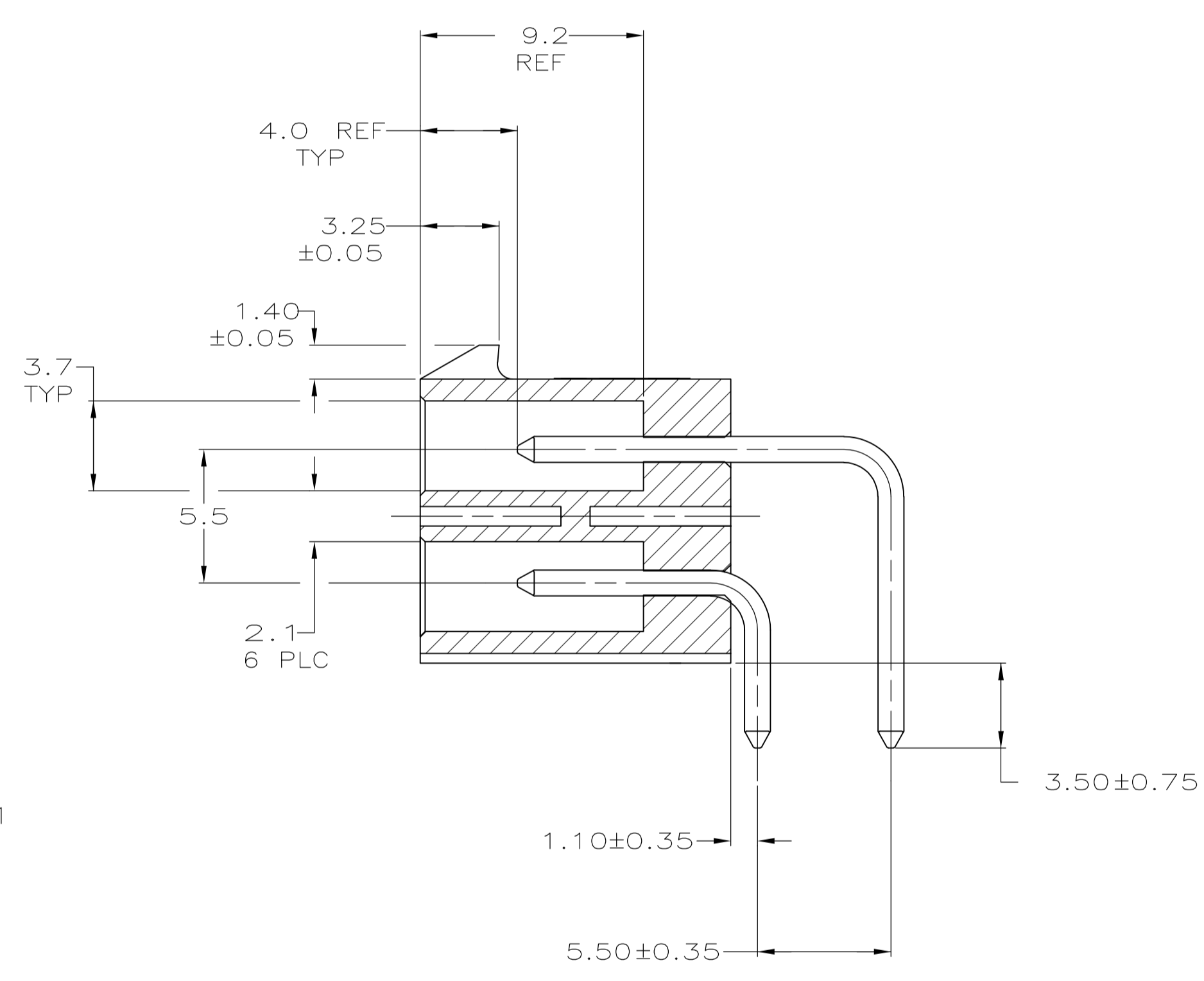
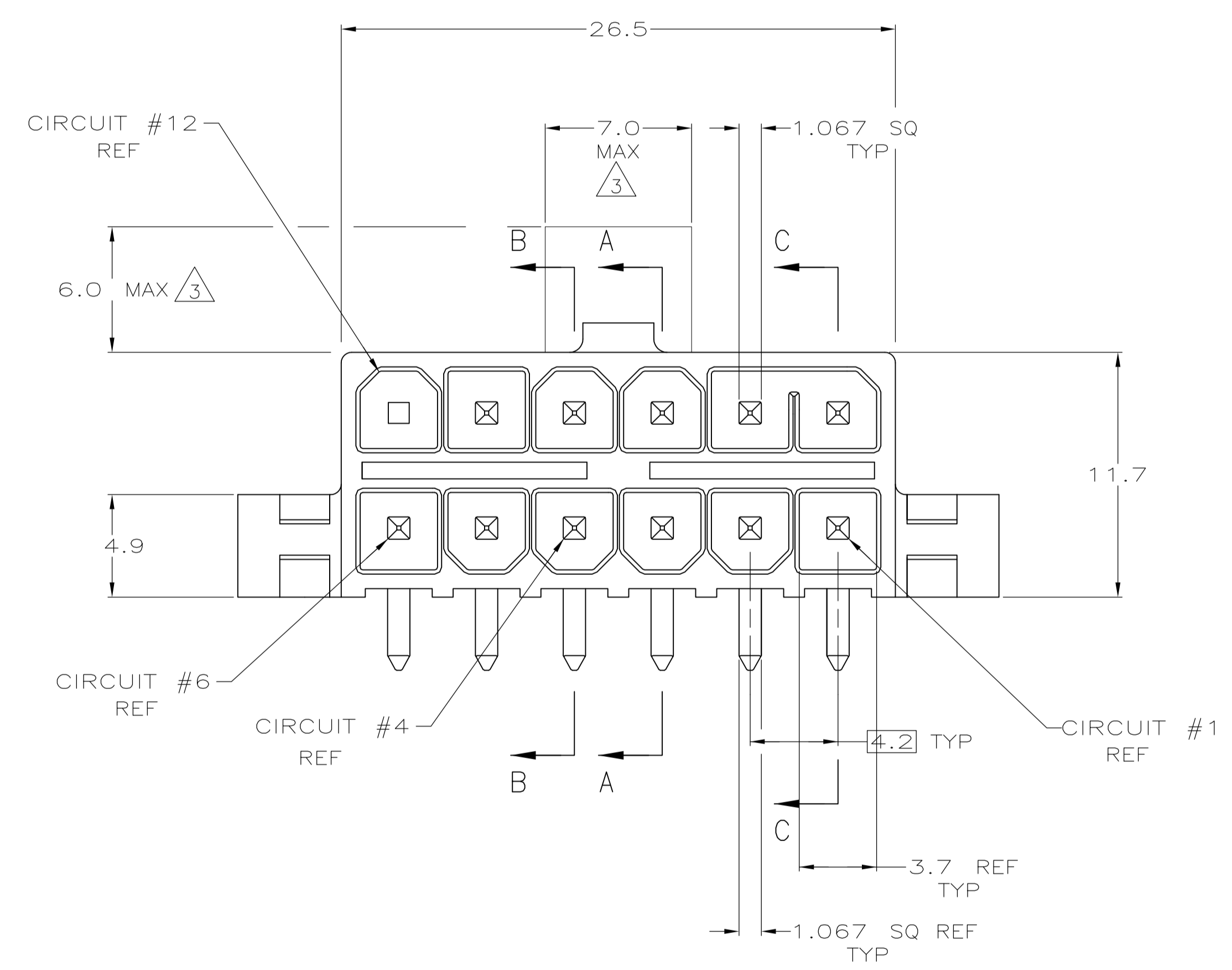
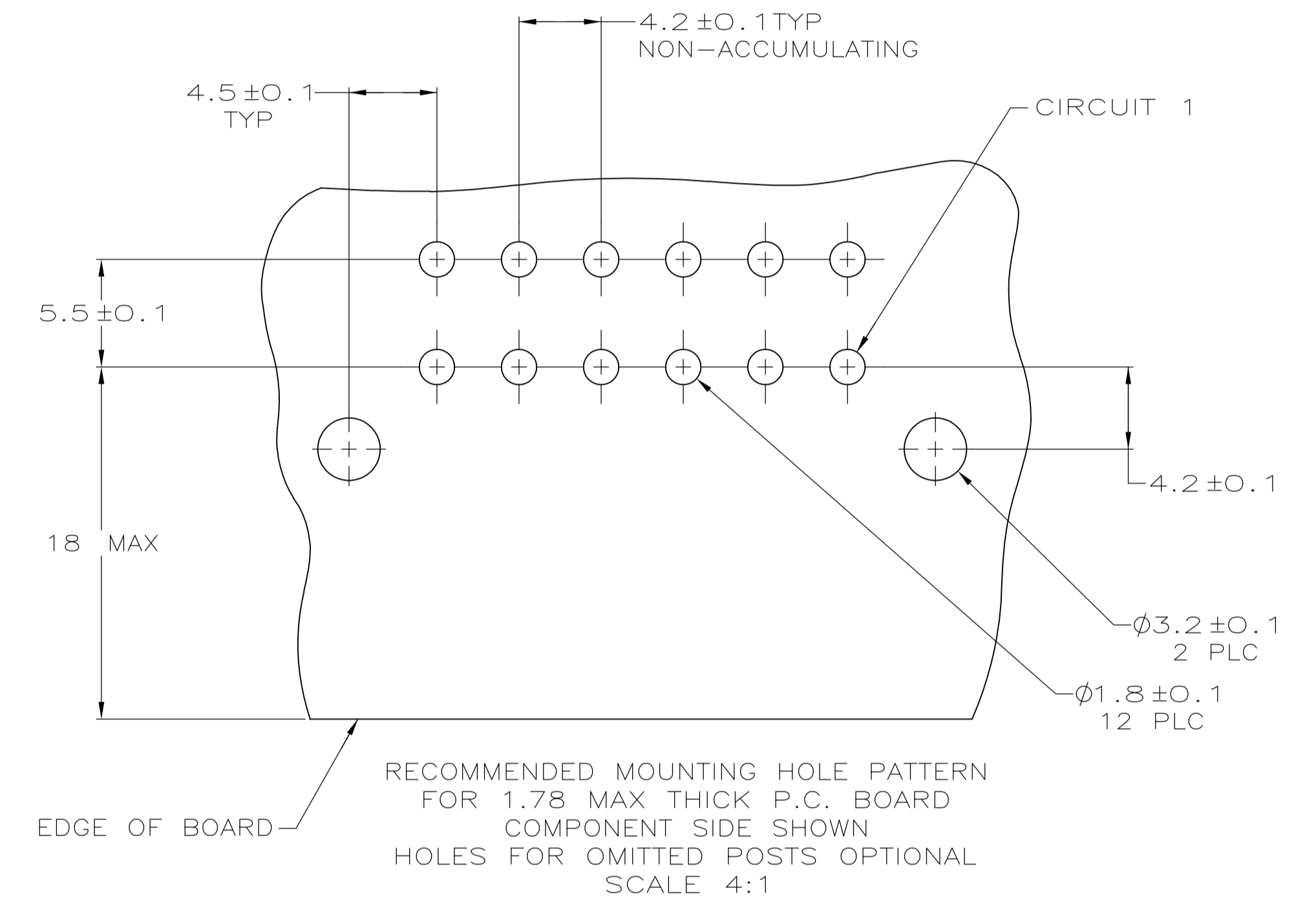


SECTION B-B

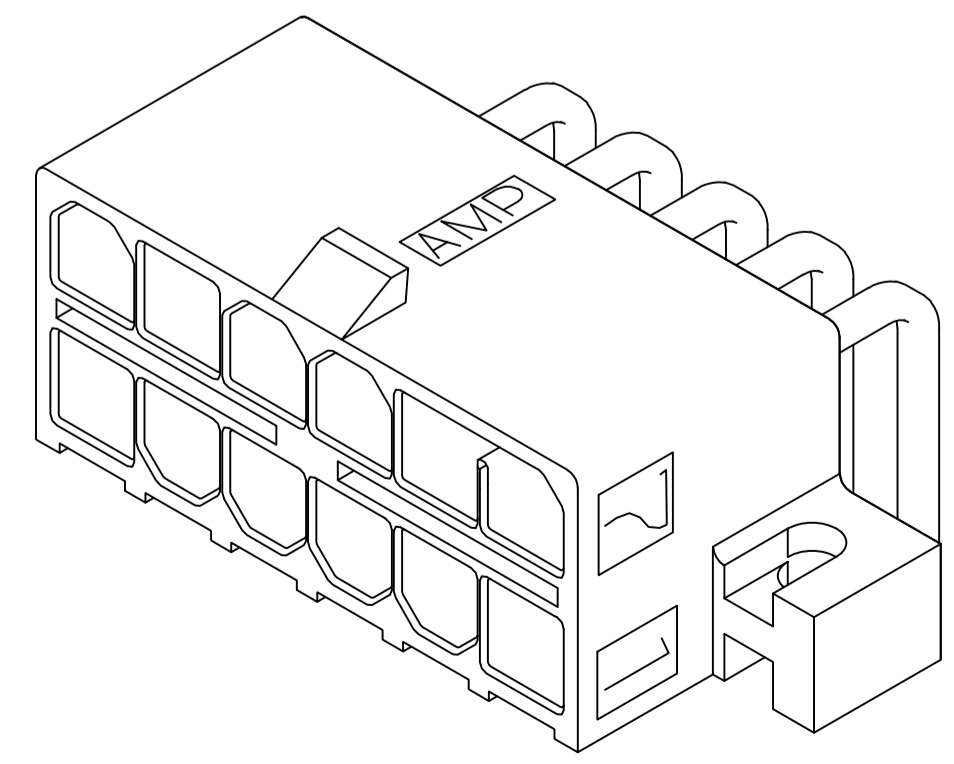
- 1 CONTACT: 0.00076 GOLD AT INTERFACE. 0.00254 MIN MATTE TIN ON SOLDER TAIL. 0.00127 MIN NICKEL UNDERPLATE ALL OVER.
- 2 MATES WITH AMP-DUAC/PL PLUG RECEPTACLE 794156 AND ITS CONTACTS.
- 3 CLEARANCE ENVELOPE FOR MATING PLUG RECEPTACLE LATCH.
- 5 ALL POSTS STANDARD.
- 6 CONTACT GROUND POST LOCATED IN CIRCUIT 4.
- 7 POST 10 OMITTED.
- 8 POST 12 OMITTED.
- 9 POST 2,5,7,12 OMITTED.
- 10 POST 5 OMITTED.
- 11 CONTACT GROUND POST LOCATED IN CIRCUITS 3 AND 4.
- 12 POSITIONS 1 AND 12 MOLDED SHUT.
- 13 POSITIONS 5, 10 AND 12 OMITTED.



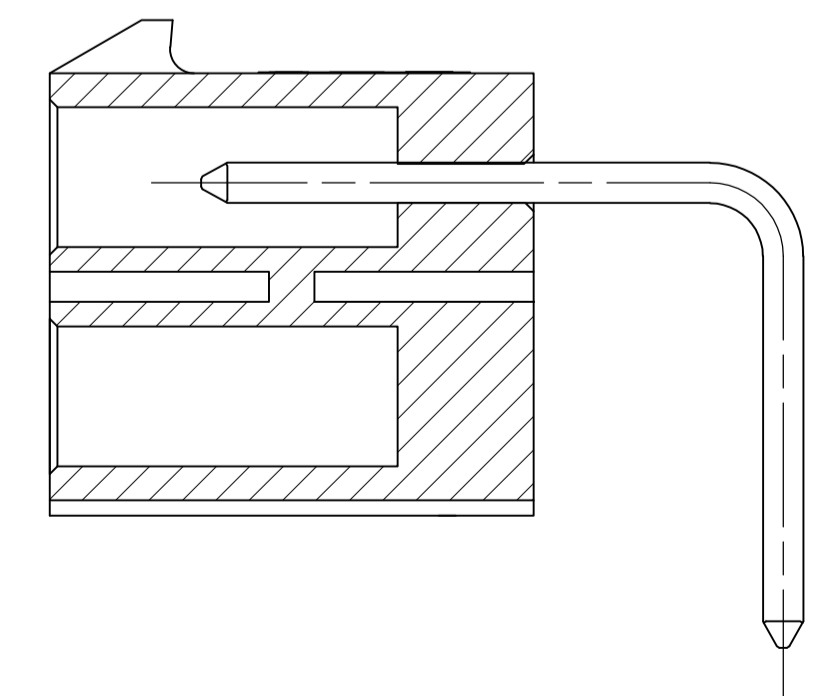
SECTION A-A



5794176-5 SHOWN



3-DIMENSIONAL MODEL NTS



SECTION C-C APPLIES TO -8 ONLY

	MATERIAL	FINISH	MATERIAL	COLOR	PART NUMBER
6/3	BRASS	1	PBT, UL94V-0	NATURAL(WHITE)	5794176-8
8/0	BRASS	1	PBT, UL94V-0	NATURAL(WHITE)	5794176-7
9/1	BRASS	1	PBT, UL94V-0	NATURAL(WHITE)	5794176-6
6/8	BRASS	1	PBT, UL94V-0	NATURAL(WHITE)	5794176-5
6/7	BRASS	1	PBT, UL94V-0	NATURAL(WHITE)	5794176-4
6	BRASS	1	PBT, UL94V-0	NATURAL(WHITE)	5794176-3
5	BRASS	1	PBT, UL94V-0	NATURAL(WHITE)	5794176-2

THIS DRAWING IS A CONTROLLED DOCUMENT.		DIN R. GRZYBOWSKI 04MAR05		Tyco Electronics Corporation Harrisburg, PA 17105-3608	
DIMENSIONS: mm		TOLERANCES UNLESS OTHERWISE SPECIFIED:		NAME: HEADER ASSEMBLY, RIGHT ANGLE, 12 CIRCUIT, AMP-DUAC/PL(TM) POWER CONNECTOR	
0 PLC	±	0.2		PRODUCT SPEC: 108-1646	
1 PLC	±	0.13		APPLICATION SPEC: 114-6067	
2 PLC	±	0.13		SIZE: A1	
3 PLC	±	0.13		CAGE CODE: 00779	
4 PLC	±	0.13		DRAWING NO: 5794176	
ANGLES	±	0° 30'		RESTRICTED TO: -	
MATERIAL SEE TABLE	FINISH SEE TABLE	WEIGHT: -	SCALE: 5:1	SHEET: 1 of 1	REV: A2

