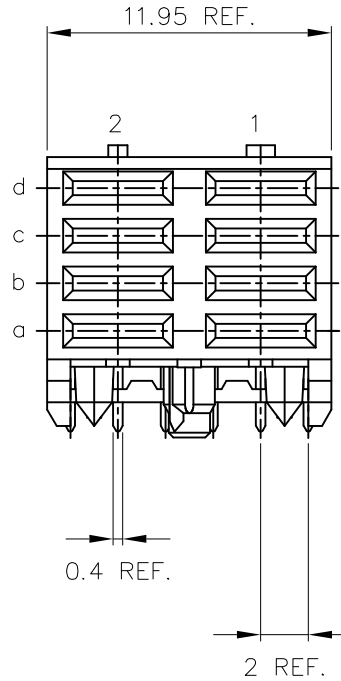
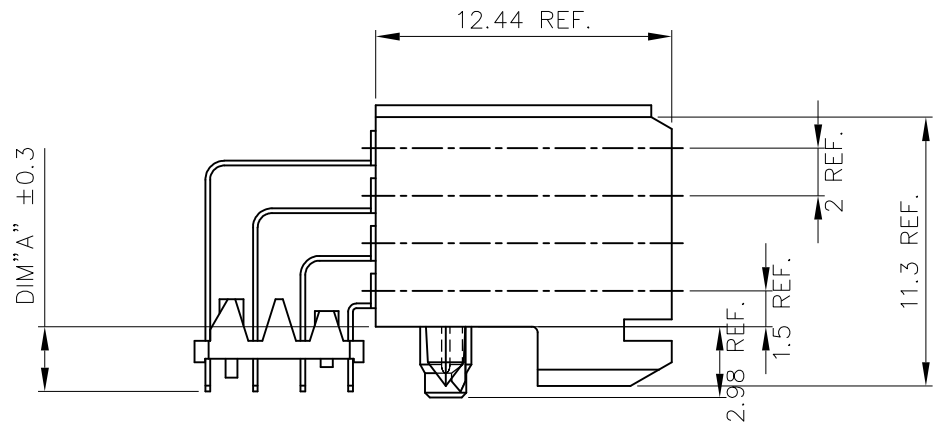


PLATING CONTACT AREA:

DASH NR:	PERFORMANCE LEVEL	
-1YY	TELCORDIA CO	OBSOLETE
-2YY	CUSTOMER SPECIAL	OBSOLETE
-3YY	CUSTOMER SPECIAL	OBSOLETE
-9YY	TELCORDIA CO	OBSOLETE
-2YYLF	CUSTOMER SPECIAL	OBSOLETE
-9YYLF	TELCORDIA CO	OBSOLETE
-1YYLF	TELCORDIA CO	OBSOLETE
-3YYLF	CUSTOMER SPECIAL	OBSOLETE

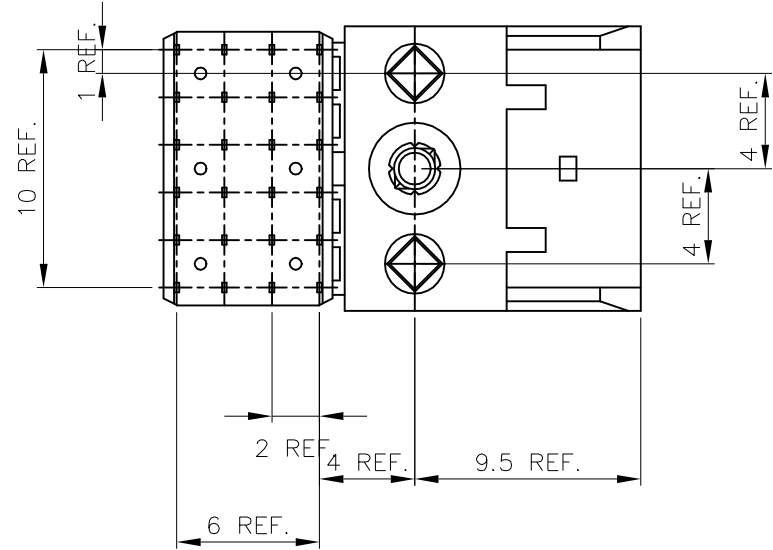
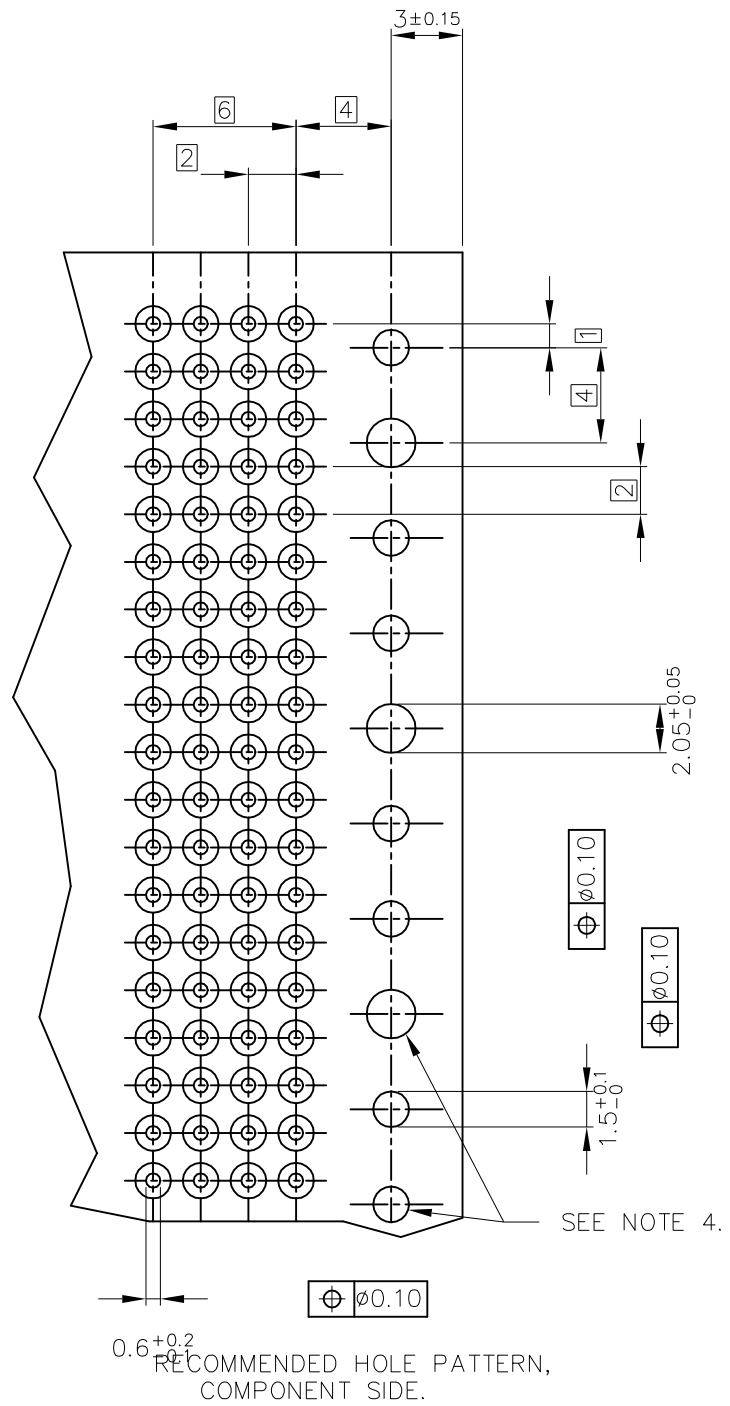
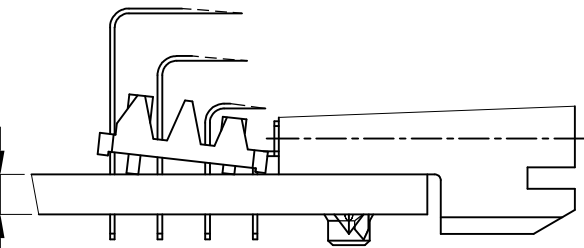
PC BOARD VERSIONS

PRODUCTNR:	PCB THICKNESS	DIM "A"
89039-X01LF	1.6	2.90
89039-X11LF	2.4	3.53



PRODUCT AFTER PC BOARD APPLICATION.

PC BOARD THICKNESS ±0.20  
SEE TABLE

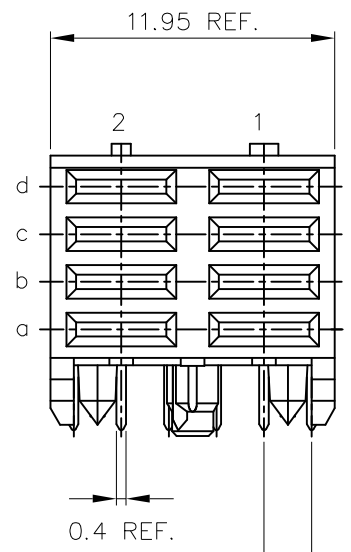
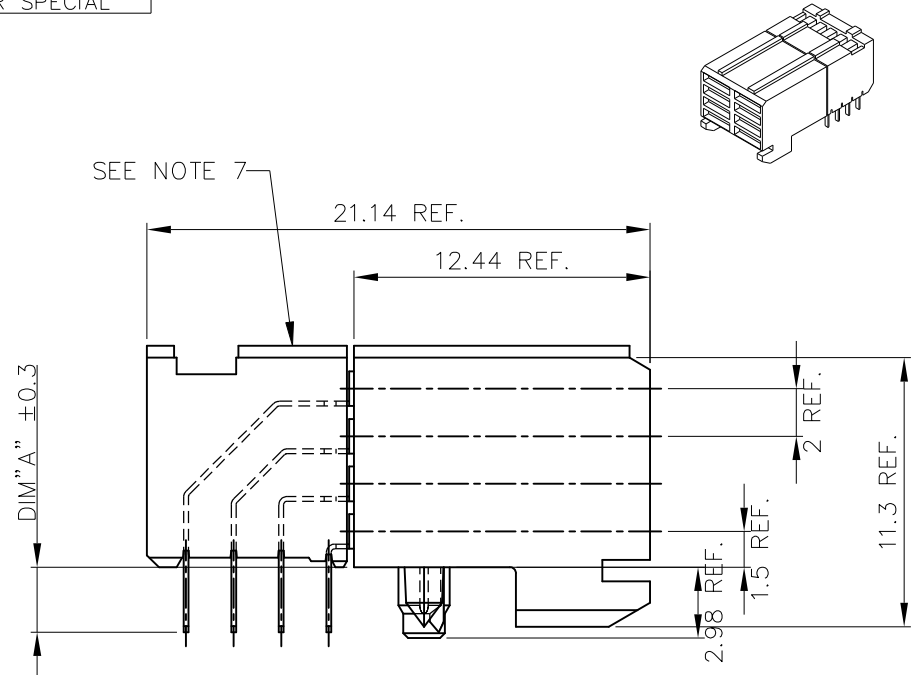


- NOTES:
- 1 BODY MAT'L: LIQUID CRYSTAL POLYMER 30% GLASS  
FLAME RETARDANT ACC. UL 94-V0
  - 2 TERMINAL MATERIAL: PHOSPHOR BRONZE.
  - 3 INDICATED HOLES ARE UNPLATED.
  - 4 PRODUCTMARKING: PARTNUMBER & BATCH ID.
  - 5 THIS PRODUCT MEETS EUROPEAN UNION DIRECTIVES AND OTHER COUNTRY REGULATIONS AS DESCRIBED IN GS-22-008
  - 6 THE HOUSING WILL WITHSTAND EXPOSURE TO 260DEGREE PEAK TEMPERATURE FOR 10 SECONDS IN A WAVE SOLDER APPLICATION.
  - 7 THE PRODUCT SPECIFICATION GS-12-453.
  - 8 FOR THE PRODUCT WITH 30u" GOLD PLATING IN TERMINAL, THEY CAN BE REPLACED BY 30 GXT PLATING.

mat'l. code				surface ISO 1302 ✓		tolerance ISO 406 ISO 1101		projection MM		product family METRAL	
ltr	ecn no	dr	date	tolerances unless otherwise specified						title	
K	DG08-0171	TER	2008-08-26	angles	linear	0.X ±0.30				RA FEMALE POWER	
L	N11-0131	A.ZH	2011-05-09	0±2°		0.XX ±0.15				RECEPTACLE 12mm PRESS PEG	
M	ELX-N-004585	A.ZH	2011-07-20			.XXX ±.05		scale 5:1		dwg no	
N	ELX-N-006420	A.ZH	2011-09-29	dr	H.BDUWKNEGT	1993-03-05				sheet 1 of 2	
P	ELX-N-26608	MZ	2017-03-27	enr	H.BDUWKNEGT	1993-03-05				size	
				chr	J.WINTJES	1993-03-05				89039	
				appd	H.BDUWKNEGT	1993-03-05				A3	
sheet index		revision sheet		P	P					type Product Customer Drawing	
				1	2						

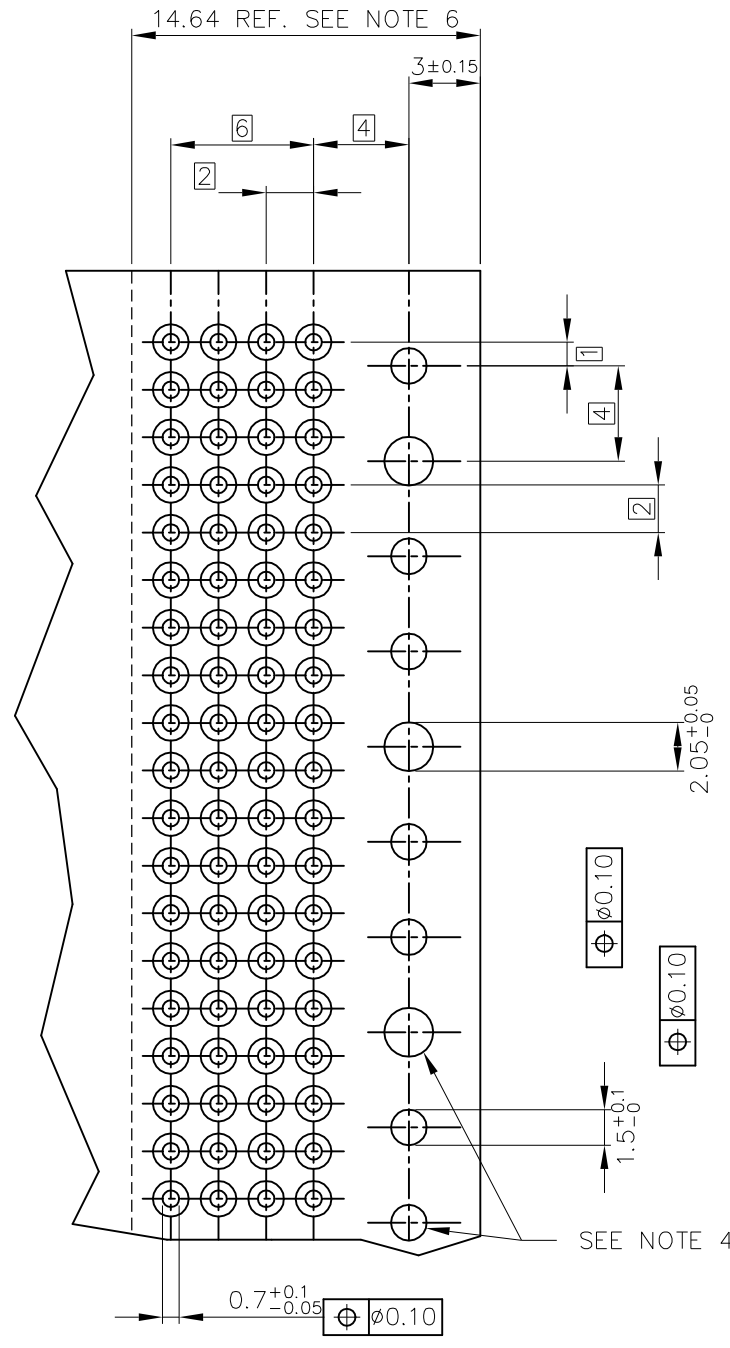
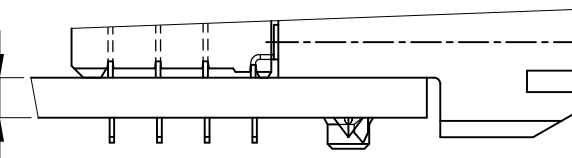
DASH NR:	PERFORMANCE LEVEL	
-1YY	TELCORDIA CO	OBSOLETE
-2YY	CUSTOMER SPECIAL	OBSOLETE
-3YY	CUSTOMER SPECIAL	OBSOLETE
-9YY	TELCORDIA CO	OBSOLETE
-2YYLF	CUSTOMER SPECIAL	OBSOLETE
-9YYLF	TELCORDIA CO	OBSOLETE
-1YYLF	TELCORDIA CO	OBSOLETE
-3YYLF	CUSTOMER SPECIAL	OBSOLETE

PC BOARD DIMENSIONS		
PRODUCTNR:	PCB THICKNESS	DIM "A"
89039-X02LF	1.6	2.90
89039-X12LF	2.4	3.53



PC BOARD THICKNESS ±0.20  
SEE TABLE

PRODUCT AFTER PC BOARD APPLICATION.



RECOMMENDED HOLE PATTERN,  
COMPONENT SIDE.

NOTES:

- BODY MAT'L: LIQUID CRYSTAL POLYMER 30% GLASS  
FLAME RETARDANT ACC. UL 94-V0
- TERMINAL MATERIAL: PHOSPHOR BRONZE.
- INDICATED HOLES ARE UNPLATED.
- PRODUCT MARKING: PART NUMBER & BATCH ID.
- SET BACK FOR PRESS BLOCK.
- TOP SURFACE OF PRESS BLOCK MAY EXTEND UP TO 0.4MM HIGHER THAN HOUSING. THIS MAY AFFECT THE TAIL LENGTH BEFORE APPLICATION TO A BOARD
- THIS PRODUCT MEETS EUROPEAN UNION DIRECTIVES AND OTHER COUNTRY REGULATIONS AS DESCRIBED IN GS-22-008
- THE HOUSING WILL WITHSTAND EXPOSURE TO 260 DEGREE PEAK TEMPERATURE FOR 10 SECONDS IN A WAVE SOLDER APPLICATION.
- THE PRODUCT SPECIFICATION GS-12-453.
- FOR THE PRODUCT WITH 30u" GOLD PLATING IN TERMINAL, THEY CAN BE REPLACED BY 30 GXT PLATING.



© 2016 AFCI

mat'l. code				surface ISO 1302 ✓		tolerance ISO 406 ISO 1101		projection		product family METRAL	
ltr ecn no dr date				tolerances unless otherwise specified		angles linear		MM		title	
P				0±2°		0.X ±0.30 0.XX ±0.15 .XXX ±0.05		scale 5:1		RA FEMALE POWER RECEPTACLE 12mm PRESS PEG	
				dr H.BDUWKNEGT 1993-03-05		enr H.BDUWKNEGT 1993-03-05		chr J.WINTJES 1993-03-05		appd H.BDUWKNEGT 1993-03-05	
sheet index				revision sheet		Amphenol FCI		dwg no 89039		sheet 2 of 2 size A3	
								type Product Customer		Drawing	