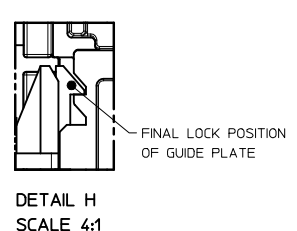
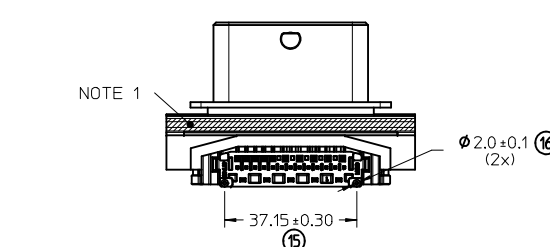
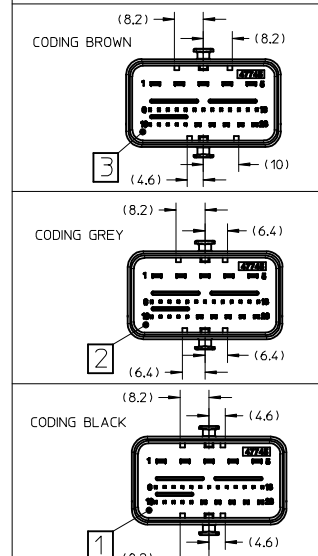
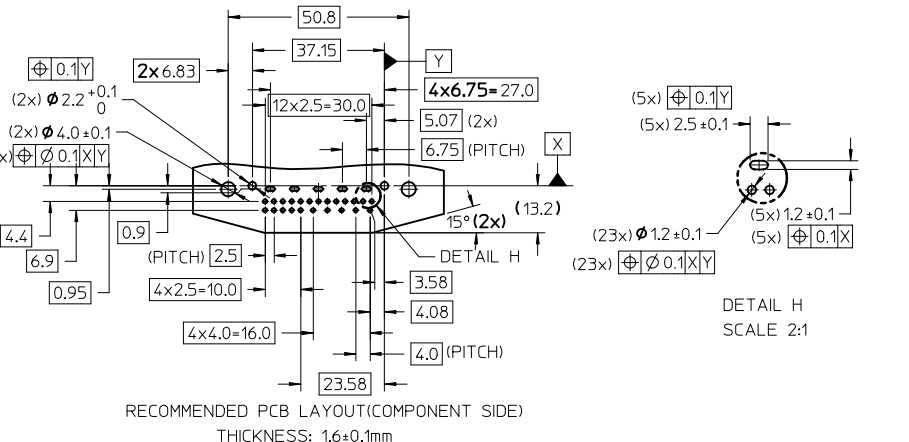


- NOTES:
- 1 - RECOMMENDED SEALED AREA
 - 2 - THE PRODUCT MUST MEET THE GUIDELINE OF ENVIRONMENTAL CONDITIONS FOR HAZARDOUS SUBSTANCES (GUIDELINE FOR CHEMICAL SUBSTANCES)
 - 3 - MARKING FOR CODING: APPLY ASSIGNED COLOR INK
CODING BLACK: NO PRINT
CODING GREY: COLOR GREY
CODING BROWN: COLOR BROWN
 - 4 - MATING WITH CMC 28W CONNECTOR
MATERIAL PART NUMBER:
LEFT WIRE OUTPUT CODING BLACK: 64318-1011
LEFT WIRE OUTPUT CODING GREY: 64318-1018
LEFT WIRE OUTPUT CODING BROWN: 64318-1019
RIGHT WIRE OUTPUT CODING BLACK: 64318-3011
RIGHT WIRE OUTPUT CODING GREY: 64318-3018
RIGHT WIRE OUTPUT CODING BROWN: 64318-3019
 - 5 - INTERFACE DRAWING REFER TO SD-64318-002.



INSPECTION NUMBER LOG
LAST NUMBER USED: 18
ADDED:
REMOVED:

CMC 28ckt hdr Coding Black	CMC 28ckt hdr Coding Grey	CMC 28ckt hdr Coding Brown	CMC 28ckt hdr Coding Black	CMC 28ckt hdr Coding Grey	CMC 28ckt hdr Coding Brown	DESCRIPTION
477450100	477450200	477450300	477450400	477450500	477450600	MOLEX MATERIAL NO.
3.6mm	3.6mm	3.6mm	2.9mm	2.9mm	2.9mm	DIM A - PIN LENGTH FOR SOLDER SIDE
PK-47745-100	PK-47745-100	PK-47745-100	PK-47745-100	PK-47745-100	PK-47745-100	PACKAGING
36.5g	36.5g	36.5g	36.4g	36.4g	36.4g	WEIGHT MEASURED



ITEM	DESCRIPTION	MATERIAL	UNIT	AMOUNT	AMOUNT	AMOUNT	AMOUNT	AMOUNT	AMOUNT	DESCRIPTION
8	Pin 2.8 - L Version		Piece	5	5	5	---	---	---	VIEW PART
	Pin 2.8 - S Version		Piece	---	---	---	5	5	5	
7	Pin 1.5 - L Version		Piece	5	5	5	---	---	---	
	Pin 1.5 - S Version		Piece	---	---	---	5	5	5	
6	Pin 0.64(Long) - L Version		Piece	13	13	13	---	---	---	
	Pin 0.64(Long) - S Version		Piece	---	---	---	13	13	13	
5	Pin 0.64(Short) - L Version		Piece	5	5	5	---	---	---	
	Pin 0.64(Short) - S Version		Piece	---	---	---	5	5	5	
4	Guide Plate		Piece	1	1	1	1	1	1	
3	Housing(Coding: Brown)	PBT GF30%, UL 94-HB	Piece	---	---	---	---	---	---	
2	Housing(Coding: Grey)	Hydrolysis Resistant	Piece	---	---	---	---	---	---	
1	Housing(Coding: Black)	Color Black	Piece	1	---	---	1	---	---	

ENTER DESCRIPTION	QUALITY SYMBOLS	GENERAL TOLERANCES (UNLESS SPECIFIED)		DIMENSION STYLE		SCALE		DESIGN UNITS		THIRD ANGLE PROJECTION
		mm	INCH	MM ONLY	SCALE 1:1	METRIC				
4 PLACES ± --- ± ---	▽=0			DRAWN BY	DATE	TITLE				
3 PLACES ± --- ± ---	▽=0			TLUO	2011/09/23	CMC 28W R/A HEADER				
2 PLACES ± 0.25 ± ---	▽=0			CHECKED BY	DATE					
1 PLACE ± 0.25 ± ---	▽=0			JLOHMAN	2011/09/23					
ANGULAR ± 2°				APPROVED BY	DATE					
				PBERG	2011/10/26					
DRAFT WHERE APPLICABLE MUST REMAIN WITHIN DIMENSIONS				MATERIAL NO.	DOCUMENT NO.	MOLEX INCORPORATED				
				SEE TABLE		SD-47745-100				
				SIZE A2		THIS DRAWING CONTAINS INFORMATION THAT IS PROPRIETARY TO MOLEX INCORPORATED AND SHOULD NOT BE USED WITHOUT WRITTEN PERMISSION				