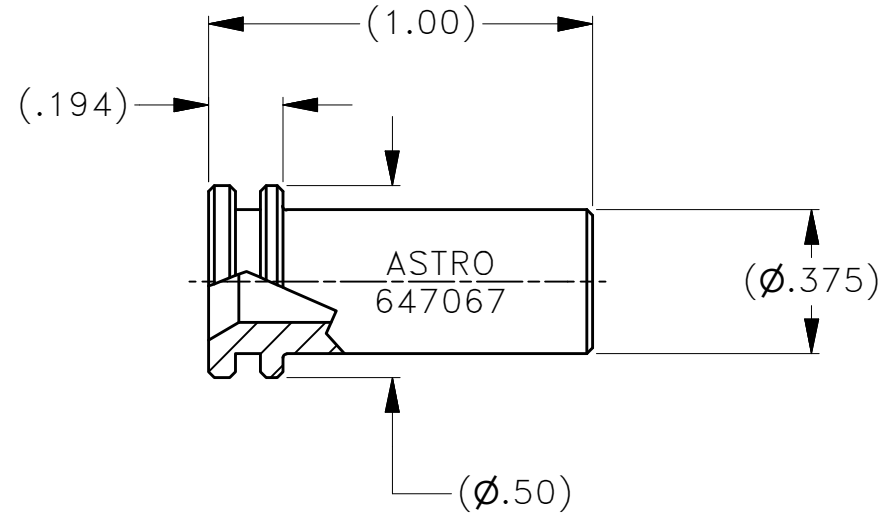
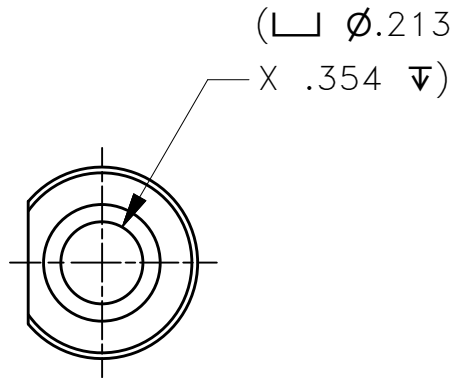



UNCONTROLLED DOCUMENT
WILL NOT BE UPDATED

REV SYM		ECO NUMBER	DESCRIPTION	BY DATE	APP'D DATE
A		---	NEW RELEASE	DYO 10-01-15	MMK 10-01-15



NOTES:
1. THIS IS AN ICAD DRAWING. DO NOT CHANGE MANUALLY.

MATERIAL ALUM	ITEM	PART NO.	QTY.	DESCRIPTION/REMARKS
	DRN. DYO	DATE 10-01-15		CAGE 58164
HEAT TREAT N/A	CHK'D. MMK	DATE 10-01-15		 21615 S.W. TUALATIN VALLEY HWY., BEAVERTON OR 97003 ENVELOPE DRAWING: 647067 LOCATOR
	APP'D.	DATE		
FINISH ANODIZED	APP'D.	DATE		TITLE
	TOLERANCE: UNLESS OTHERWISE SPECIFIED FRACTIONS \pm 1/32 ANGLES \pm 1' DECIMAL INCHES: .X \pm .030 .XX \pm .010 .XXX \pm .005 .XXXX \pm .0005 REMOVE BURRS AND BREAK SHARP EDGES .005-.015		WHERE USED:	
CREATED FROM AN INVENTOR MODEL. CHANGES MUST BE REFLECTED IN THE 3D PART	SIZE A	SCALE N/A	CAD P/N 647067-ENV_RA	SHEET OF 1 1
DO NOT SCALE DRAWING	POSTING	P/N 647067-ENV	REV. A	