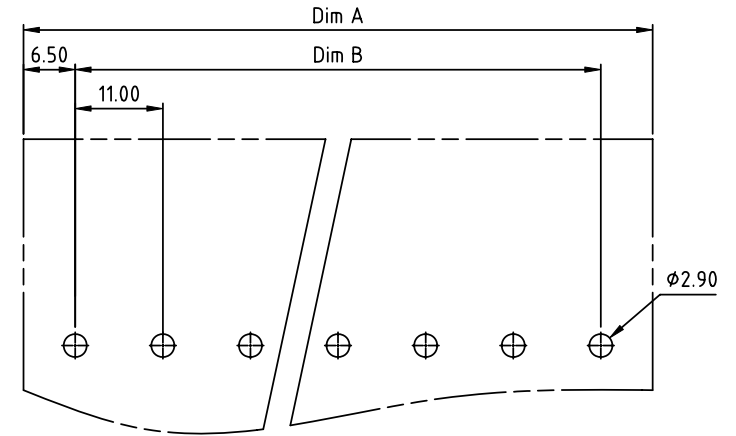
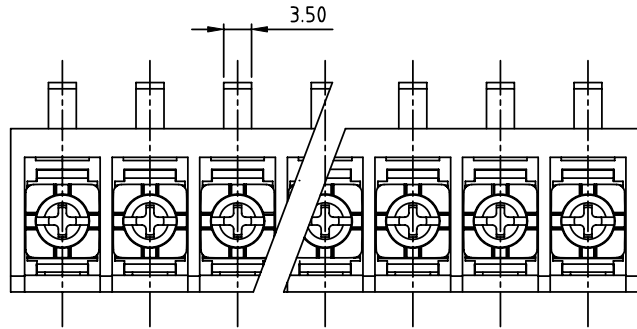
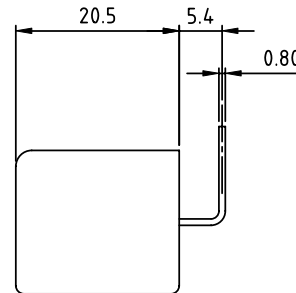
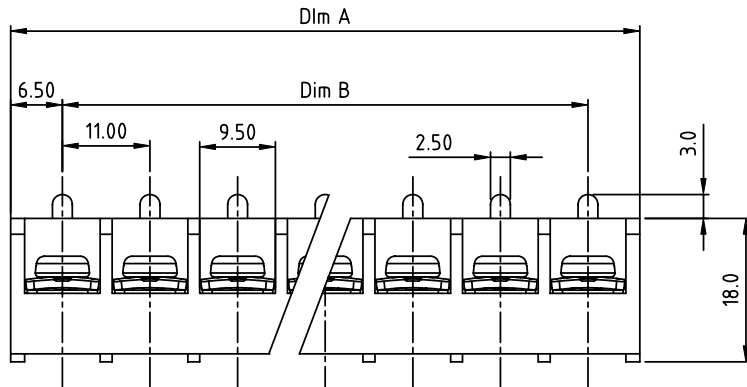


PRODUCT NUMBER	PITCH
YK554xx0x0JOG	11.00 mm



RECOMMENDED P.C.B LAYOUT
TOP VIEW



MATERIALS & ELECTRICAL
RATED VOLTAGE & CURRENT: 300 V, 30 A
WITHSTAND VOLTAGE: AC 2000 V/Min
INSULATION RESISTANCE: 1000 MΩ OR MORE AT DC 500 V
OPERATING TEMPERATURE RANG: -40 °C ~ +115 °C
SCREW TORQUE VALUE: 9.5 Lb-In.
WIRE RANGE: 22-10AWG str/sol
1) HOUSING: Thermoplastic, UL 94 V-0 BLACK
2) TERMINAL: BRASS, 0.8t
3) TERMINAL SCREWS: STEEL, M4
APPROVAL: US

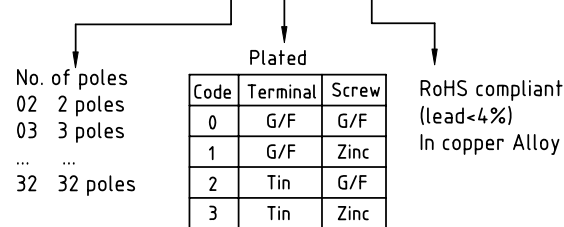
DIMENSION

Dim A	N×11.0+2.0
Dim B	(N-1)×11.0

N=Number of poles

Poles	Tolerance
2p-4p	±0.30
5p-8p	±0.40
9p-16p	±0.50
17p-23p	±0.60
24p-32p	±0.80

PART NO.: YK 554xx 0 x 0 JOG



mat'l. code		surface ASME Y14.5	tolerance ASME Y14.5	projection 	product family TERMINAL BLOCK
ltr	ecn no	dr	date	tolerances unless otherwise specified	title TERMINAL BLOCK
				angles 	BARRIER TYPE
				X*±1"	scale
				dr EVAN LU 061614	sheet 1 of 1 size
				enr EVAN LU 061614	YK554xx0x0JOG A4
				chr HANKE FENG 061614	type CUSTOMER Drawing
				appd SHI JUN 061614	
sheet index	revision sheet	A	1		