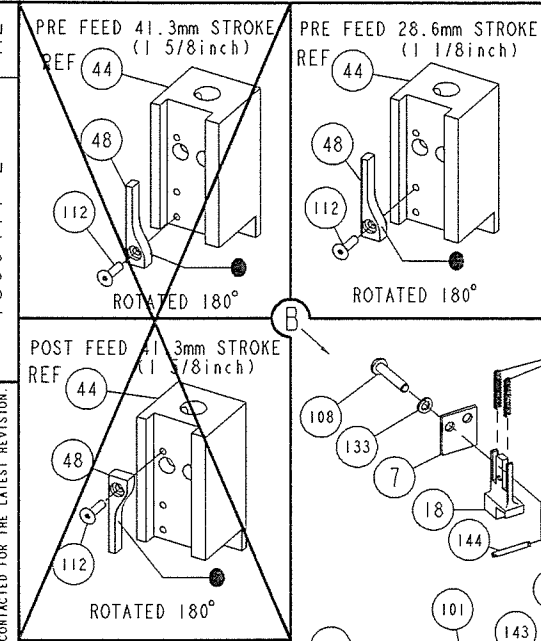
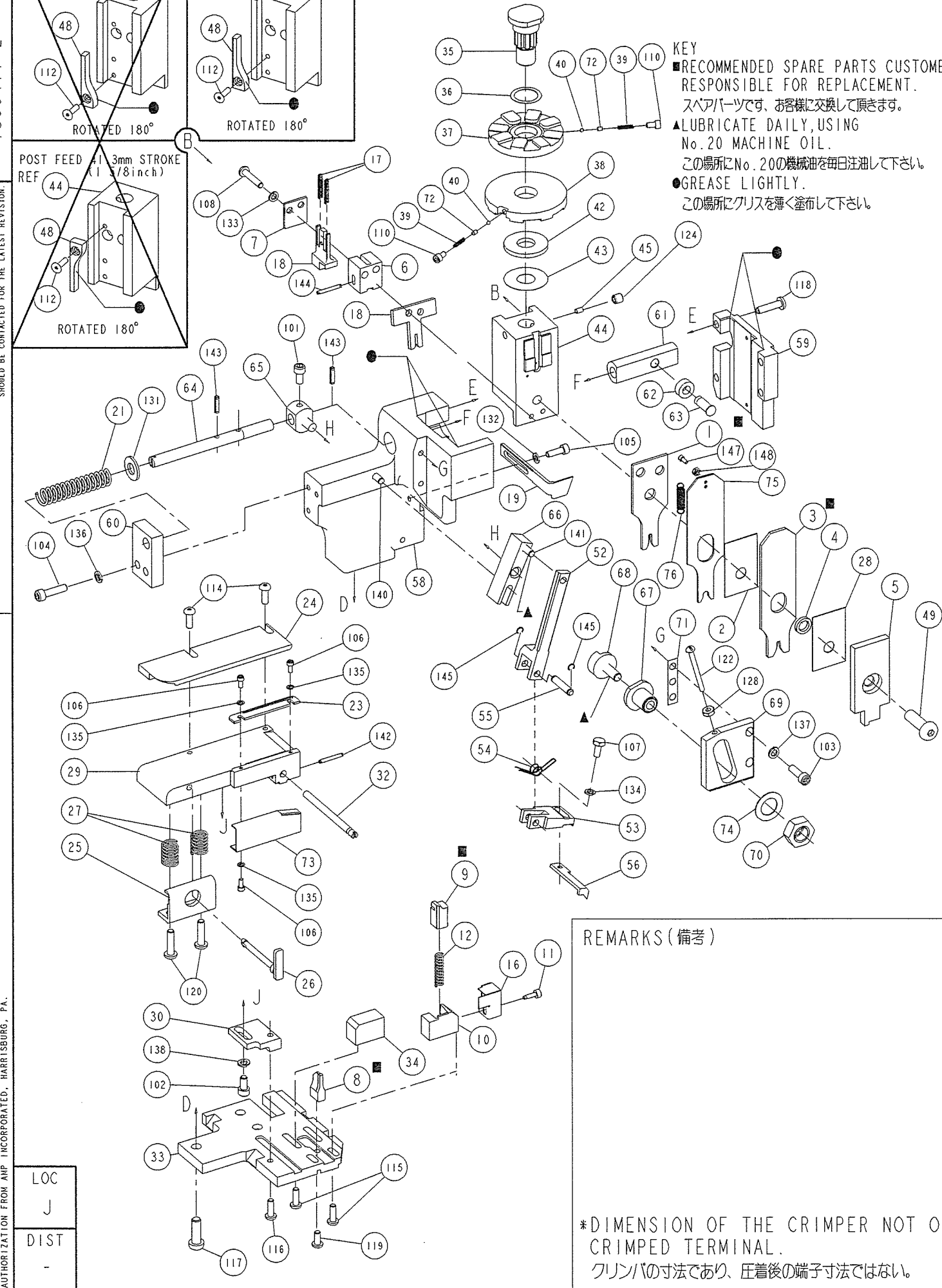


THIS DRAWING IS A CONTROLLED DOCUMENT FOR AMP INCORPORATED. IT IS SUBJECT TO CHANGE AND THE CONTROLLING ENGINEERING ORGANIZATION SHOULD BE CONTACTED FOR THE LATEST REVISION.

DWG NO. 1596477-2
 REV. A2



1. ONLY THE ITEMS WITH QUANTITIES SPECIFIED ON PARTS LIST ARE USED ON THIS APPLICATOR.
 パーツリストに使用数量が記入されている部品がこのアプライケータに使用されています。



KEY
 ■ RECOMMENDED SPARE PARTS CUSTOMER RESPONSIBLE FOR REPLACEMENT.
 スペアパーツです。お客様に交換して頂きます。
 ▲ LUBRICATE DAILY, USING No. 20 MACHINE OIL.
 この場所にNo. 20の機械油を毎日注油して下さい。
 ● GREASE LIGHTLY.
 この場所にグリスを薄く塗布して下さい。

REMARKS (備考)
 * DIMENSION OF THE CRIMPER NOT OF CRIMPED TERMINAL.
 クリムパの寸法であり、圧着後の端子寸法ではない。

THIS INFORMATION IS CONFIDENTIAL AND IS DISCLOSED TO YOU ON CONDITION THAT NO FURTHER DISCLOSURE IS MADE BY YOU TO OTHER THAN AMP PERSONNEL WITHOUT WRITTEN AUTHORIZATION FROM AMP INCORPORATED, HARRISBURG, PA.

LOC J
 DIST -

QTY	PART NO	DESCRIPTION	ITEM NO
			150
			149
1	21018-3	NUT, HEX MACH(2-56)DEPRESSOR WIRE	148
1	1-21000-2	SCR, SKT CAP(2-56X.50)DEPRESSOR WIRE	147
			146
2	21045-3	RING, RETAINING(C.187DIA)FEED FINGER PIN	145
1	4-21028-0	PIN, SLOT SPR(.094DIA X.75)SUPPORT TERM	144
2	5-21028-1	PIN, SLOT SPR(.125DIA X.50)ADJ ROD	143
1	4-21028-0	PIN, SLOT SPR(.094DIA X.75)STRIP GUIDE PLATE	142
1	1-21030-1	PIN, DOWEL(.187DIA X.50)LEVER	141
1	1-21030-6	PIN, DOWEL(.187DIA X1.25)HOUSING	140
			139
1	21024-5	WASHER, LOCK(NO 10)STRIP GUIDE ADJ BLOCK	138
2	21024-5	WASHER, LOCK(NO 10)ADJ PLATE	137
2	21024-5	WASHER, LOCK(NO 10)FEED GUIDE ROD	136
2	21057-2	WASHER, LOCK(NO 4)STRIP GUIDE FRONT	135
1	21024-4	WASHER, LOCK(NO 8)FEED FINGER	134
2	21024-4	WASHER, LOCK(NO 8)CARRIER TERM	133
1	21024-4	WASHER, LOCK(NO 8)STRIPPER	132
1	21899-4	WASHER, FLAT(5/16DIA)SCREW ADJ	131
			130
			129
1	21068-5	NUT, HEX MACH(6-32)FEED ADJ	128
			127
			126
			125
1	21009-2	SCR, SKT SET(1/4-20X.25)(LOC-WEL)RAM	124
			123
1	3-21064-2	SCR, RD MACH(6-32X1.5)FEED ADJ	122
			121
2	2-21002-9	SCR, BUT SKT(10-32X.75)DRAG	120
1	24073-2	SCR, BUT SKT(8-32.38)(LOC-WEL)ANVIL	119
4	2-21002-9	SCR, BUT SKT(10-32X.75)CAP	118
3	1-24073-9	SCR, BUT SKT(1/4-20X.75)HOUSING	117
1	2-21002-7	SCR, BUT SKT(10-32X.50)SG ADJ BLOCK	116
4	2-21002-2	SCR, BUT SKT(8-32X.50)SHEAR/SUPPORT	115
2	2-21002-2	SCR, BUT SKT(8-32X.50)STRIP GUIDE REAR	114
			113
1	2-21003-0	SCR, FLAT SKT(6-32X.50)CAM	112
			111
2	3-23657-8	SCR, SKT CAP(6-32X.25)(LOC-WEL)CP DISC	110
			109
2	2-21002-1	SCR, BUT SKT(8-32X.38)CARRIER TERM	108
1	2-22603-0	SCR, HEX MACH(8-32X.31)FEED FINGER	107
2	1-21000-3	SCR, SKT CAP(4-40X.25)STRIP GUIDE FRONT	106
1	2-21000-7	SCR, SKT CAP(8-32X.50)STRIPPER	105
2	3-21000-7	SCR, SKT CAP(10-32X.75)FEED ROD GUIDE	104
2	3-21000-6	SCR, SKT CAP(10-32X.62)ADJ PLATE	103
1	3-21000-4	SCR, SKT CAP(10-32X.38)SG ADJ BLOCK	102
1	3-21000-4	SCR, SKT CAP(10-32X.38)PIVOT BLOCK	101
			100
			99
			98
			97
1	7-751143-4	SPRING, DEF WIRE	76
1	1-937813-1	DEPRESSOR WIRE	75
1	458109-1	WASHER, SPECIAL	74
-	-	PLATE, SG COVER	73
2	690603-1	SPRING, ASSIST	72
1	690517-1	SPACER	71
1	22594-8	NUT, HEX	70
1	240628-1	PLATE, ADJUSTMENT	69
1	240626-1	SHAFT, PIVOT	68
1	240633-1	BUSHING	67
1	455680-1	LEVER, INTERMEDIATE	66
			65
			64
			63
			62
			61
			60
			59
			58
			57
			56
			55
			54
			53
			52
			51
			50
			49
			48
			47
			46
			45
			44
			43
			42
			41
			40
			39
			38
			37
			36
			35
			34
			33
			32
			31
			30
			29
			28
			27
			26
			25
			24
			23
			22
			21
			20
			19
			18
			17
			16
			15
			14
			13
			12
			11
			10
			9
			8
			7
			6
			5
			4
			3
			2
			1

QTY	PART NO	DESCRIPTION	ITEM NO
1	240629-1	BLOCK, PIVOT	65
1	240632-2	SCREW, ADJUSTMENT	64
1	240659-3	PIN, CAM ROLLER	63
1	240658-1	ROLLER, CAM	62
1	454398-2	ROD, FEED	61
1	454178-1	GUIDE, FEED ROD	60
1	454220-1	CAP, HOUSING	59
1	454485-1	HOUSING	58
			57
1	690542-2	PAWL, FEED	56
1	240624-1	PIN, FEED FINGER	55
1	691499-1	SPRING, FEED FINGER	54
1	690541-1	FINGER, FEED	53
1	455679-1	LEVER, TERM FEED ARM	52
			51
			50
1	7-21002-9	BOLT, CRIMPER	49
1	690602-5	CAM PRE FEED	48
			47
			46
1	690191-1	PLUG, NYLON	45
1	914048-1	RAM	44
1	690125-1	WASHER, LAMINATED	43
1	690124-1	WASHER, RAM	42
			41
2	23241-6	BALL, STEEL	40
2	690170-1	SPRING, COMPRESSION	39
1	690142-4	DISC, INS.	38
1	1596916-6	DISC, WIRE	37
1	22480-5	WASHER, SPRING	36
1	690212-1	POST, RAM	35
-	-	SUPPORT, TERMINAL	34
1	455675-1	PLATE, BASE	33
1	690432-3	SCREW, ADJ	32
			31
1	455689-1	BLOCK, SG ADJ	30
1	455671-1	PLATE, STRIP GUIDE	29
1	455888-1	SPACER, SHEAR DEPRESSOR	28
2	1-22284-0	SPRING, DRAG	27
1	690546-1	LEVER, DRAG RELEASE	26
1	240792-1	DRAG, STOCK	25
1	6-690504-8	GUIDE, STRIP(REAR)	24
1	690438-1	GUIDE, STRIP(FRONT)	23
			22
1	4-22284-9	SPRING, FEED RETURN	21
			20
1	1-724942-1	STRIPPER	19
-	-	HOLDER, TERM.	18
-	-	SPRING, TERM HOLDER	17
1	318563-1	GUARD, CHIP(FRONT)	16
			15
			14
			13
1	5-22280-0	SPRING, SHEAR	12
1	690461-1	STOP, SHEAR	11
1	690459-1	HOLDER, SHEAR(FRONT)	10
1	724919-1	SHEAR, FLOAT(FRONT)	9
-	-	ANVIL	8
-	-	PLATE, RETAINING	7
-	-	CARRIER, TERM HOLDER	6
1	722558-1	DEPRESSOR, SHEAR(FRONT)	5
1	3-721427-0	SPACER, TUBULAR	4
1	5-456135-1	CRIMPER, INS.	3
-	-	SPACER, CRIMPER	2
1	1276940-5	CRIMPER, WIRE	1

WIRE BBL(ワイヤル)	INSUL BBL(インスル)	WIRE SIZE(ワイヤ径)	STRIPE LENGTH(ストリップ長)
① 1.4	1.78	0.34-0.56mm ²	9mm
		② 1.1-1.7mm	

POWER UNIT (適用マシン)
 CRIMPING MACHINE (圧着機) STROKE (ストローク) [mm] FEED TYPE (フィードタイプ)
 BENCH MACHINE 28.6 (1 1/8inch) PRE FEED (プリフィード)
 SET UP GAGE# (セットアップ・ゲージ番号): 458637-2
 APPLICATOR INSTRUCTION# (取説番号): 408-8040
 CUSTOMER (顧客)
 APPL SER# (製造通し番号)

PART NO. (型番)	TERM NAME (名称)	APPL SPEC (取付適用規格)
1612776-1	CLEAN BODY 040 REC CONTACT S	114-5278

CRIMPING DATA (圧着データ)

PAD	CH (圧着高さ) [mm]	WIRE SIZE (ワイヤ径) [mm]	STRIPE LENGTH (ストリップ長) [mm]
A	① 1.00±0.04	0.5	4.5-5.0
B	① 0.91±0.04	0.3	4.5-5.0
C	① NOT USED (不使用)		
D	① NOT USED (不使用)		

DR. J. KOGA 30-Sep-02 S. YABE 30-Sep-02
 CH. J. KOGA 30-Sep-02 S. YABE 30-Sep-02
 NAME: MINI APPLICATOR, HD SIDE FEED, A-O-L
 SCALE: A3 DWG NO. 1596477-2 SHEET 1 OF 1